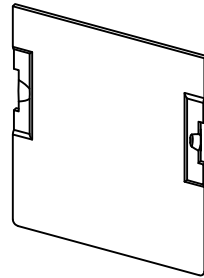
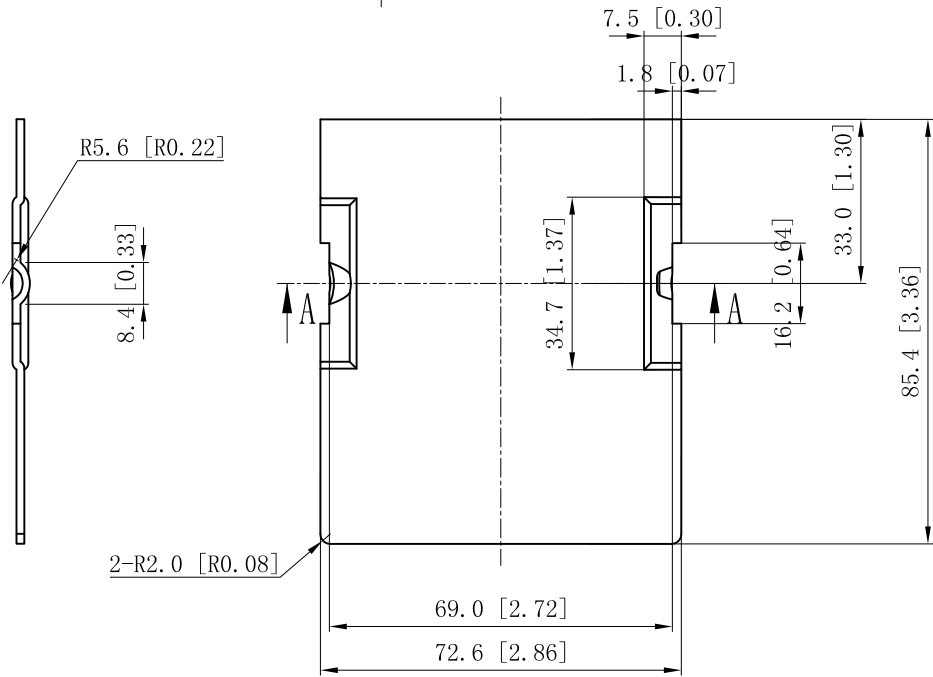
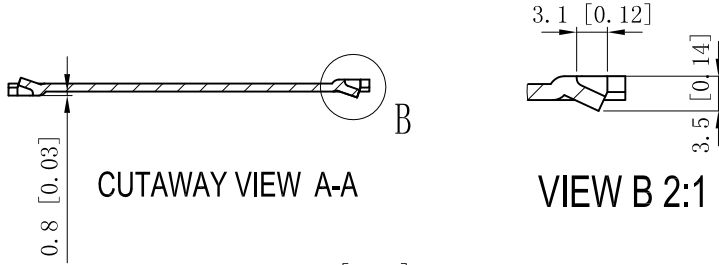


SIDES	BOTTOM
Material: Steel-0.0625"-G60 Galvanized	



This data sheet is for reference only. GARVIN INDUSTRIES reserves the right to make changes to the design without prior notice.

DESCRIPTION
TRADE REFERENCE TERMS

STANDARD PACKING

<b>GARVIN INDUSTRIES</b>		
TITLE Gangable box divider 3-1/2" deep		
SIZE A4	DWG NO. GBD-350	REV
DATA SHEET		
www.garvinindustries.com		