

Seat shall be Comfort™ Seats

## Model Number C2200S

Consumer Package Model # C3B3E4S

## EZ Close™ & QuicKlean™ Premium Plastic Toilet Seat Elongated Closed Front with Cover

### Category

RESIDENTIAL

### Features

- EZ Close™ damper system
- Easy to Clean - Lift off QuicKlean™ design hinge covers and pull seat forward to remove
- Injection molded durable polypropylene plastic with UV protection
- Molded in bumpers
- Matching adjustable hinge
- Corrosion proof POM nuts, bolts and washers
- Rubberized non-skid pads
- Top mount design

### Seat Color/Finish

Specify white, bone, biscuit, cotton white and colors

### Hinge Color/Finish

Specify white, bone, biscuit, cotton white and colors

### Product Specifications

Hinge Design: Heavy duty EZ Close™ damper system

Ring Thickness: 5/8"

Ring Thickness with Bumper: 7/8"

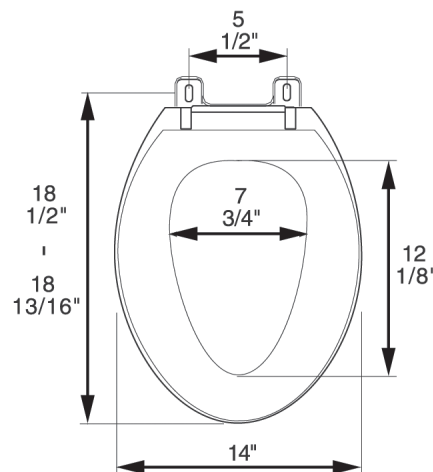
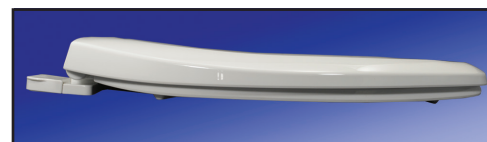
Height of Seat with Cover: 1 3/4"

Size: ANSI Standard Toilet - Meets Z124.5 Section 5.1.2

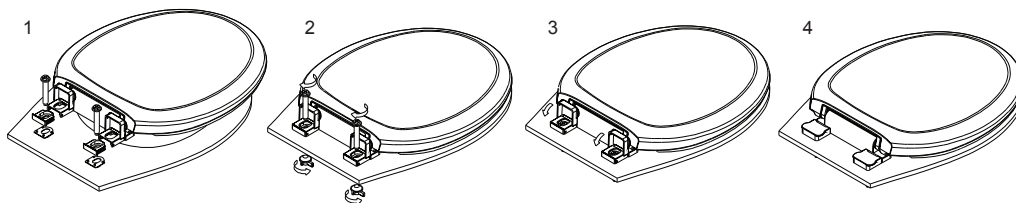
### Additional Information

Stainless Steel (Model #C200-HPSS) or Metal (Model #C200-HPM) installation hardware for commercial/hospitality installations.

All seats feature UV protection.



### Easy Installation



### Lift and Pull Cleaning Instructions

