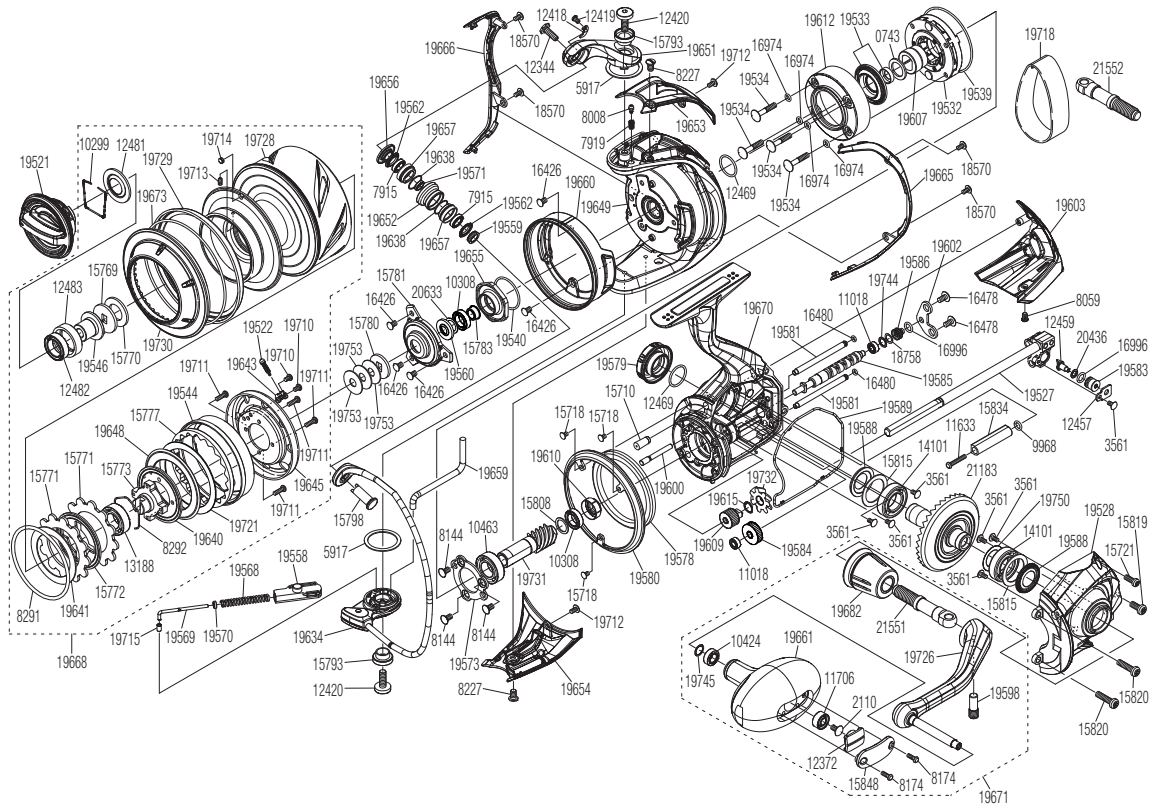


SHIMANO

STELLA **S**A-RB

STL-SW14000XG



Please note that the number of adjusting washers may not always be the same as shown in the exploded views.

(51SF24U143X)

Please note that your actions take full responsibility when you take it apart.

#	Part No.	Description	#	Part No.	Description	#	Part No.	Description
0743	10HHL	Washer	15834	10AYL	Collar	19643	1017R	Spring Holder
2110	103E9	Screw	15848	108T1	Handle Knob ID Plate	19645	1014B	Heat Sink
3561	10MT4	Screw	16426	103LB	Screw	19648	10RC9	Spool Bearing Water Proof
5917	10HDP	Washer	16478	103EB	Screw	19649	10111	Rotor
7915	104W1	Ball Bearing	16490	10JAB	O Ring	19651	10110	Bail Arm
7919	107Q1	Click Spring	16974	10JAD	O Ring	19652	1015F	Line Roller
8008	10CH8	Click Pin	16996	10TNF	O Ring	19653	1010Y	Bail Spring Cover
8059	10L9D	Screw	18570	10MT2	Screw	19654	1010V	Bail Hold Support Guard
8144	10ML2	Screw	18758	10TK0	Washer	19655	10E86	Rotor Nut
8174	103NM	Screw	19521	10DVR	Drag Knob Assembly	19656	10161	Line Roller Plate
8227	10CYT	Screw	19522	10E90	Drag Click Assembly	19657	1015A	Bushing
8291	108WD	O Ring	19527	10DV9	Main Shaft Assembly	19659	1016D	Bail Trip Lever
8292	10LWM	Bearing Retainer	19528	10E13	Side Cover Assembly	19660	10112	Rotor Brim
9968	108W9	O Ring	19532	10DUZ	Roller Clutch Assembly	19661	10RDQ	Handle Knob
10299	10B6K	Retainer	19533	10DV8	Roller Clutch Waterproof Assembly	19665	1010U	Rotor Guard A
10308	104PN	Ball Bearing	19534	1015M	Screw	19666	1010X	Rotor Guard B
10424	105BN	Ball Bearing	19539	1014X	O Ring	19668	100S2	Spool Assembly
10463	10BGC	Ball Bearing	19540	10163	O Ring	19670	105LX	Body Assembly
11018	10PDA	Ball Bearing	19544	10RC8	Drag Cover	19671	100M0	Handle Assembly
11633	10LSC	Screw	19546	10152	Bearing Support	19673	1015W	O Ring
11706	10KX1	Ball Bearing	19558	10153	Bail Spring Guide B	19682	1004L	Handle Shaft Cover Assembly
12344	10K46	Screw	19559	1014N	Collar	19710	10LV6	Screw
12372	10B97	Handle Knob Seal	19560	10DVG	Bearing Water Proof	19711	10E69	Screw
12418	107LE	Retainer	19562	1016K	Line Roller Seal	19712	10DN7	Screw
12419	107LF	Screw	19568	1015E	Bail Spring	19713	10PVL	Set Screw
12420	10Q86	Screw	19569	1016J	Bail Spring Guide A	19714	10EAG	Spool Ring Pin
12457	10H7R	Oscillating Pawl Cover	19570	10DUU	Spring Guide A Support Collar	19715	10R2F	Bail Spring Guide A Bush
12459	106V5	Oscillating Pawl	19571	1014P	Collar	19721	100WL	Washer
12469	108WP	O Ring	19573	10150	Bearing Retainer	19726	10RUD	Handle Shank Assembly
12481	10LQZ	Waterproof Sheet	19578	1014J	Friction Ring	19728	1016F	Spool Shell
12482	10KX7	Ball Bearing	19579	10DTN	Handle Screw Cap	19729	1015V	Spool Ring
12483	10LWS	Bearing Bushing	19580	1014M	Body Flange Ring	19730	1016M	Collar
13188	10BDA	Ball Bearing	19581	10147	Oscillating Guide	19731	10RTX	Pinion Gear
14101	104PW	Ball Bearing	19583	10164	Oscillating Slider Bushing	19732	10RU2	Idle Gear (Large)
15710	10AYR	Body Flange Seal	19584	1014H	Idle Gear	19744	100XZ	Washer
15718	1055G	Screw	19585	1014Y	Worm Shaft	19745	104FH	Washer
15721	10A6N	Screw	19586	1015D	Bushing	19750	101DP	Washer
15769	10BC5	Key Washer	19588	1015Q	Bearing Water Proof	19753	101DJ	Spool Washer
15770	10344	Drag Washer A	19589	10154	Body Seal	20436	100CW	Washer
15771	10C19	Drag Washer B	19598	10E85	Screw	20633	100J0	Washer
15772	10BS8	Drug Disk A	19600	1014U	Idle Gear Shaft	21183	10ECV	Drive Gear Assembly
15773	10LTY	Bearing Bushing	19602	1014Z	Worm Shaft Retainer	21551	10RFY	Handle Shaft
15777	109Z0	Drag Click Ratchet	19603	1011E	Rear Protector			
15780	103MW	Spool Support	19607	1014F	Roller Clutch Inner			
15781	10K30	Retainer	19609	1016L	Idle Gear (Small)			
15783	1072S	Spacer	19610	10169	Bushing			
15793	10K7M	Collar	19612	10148	Clutch Water Proof Cover			
15798	10Q3F	Line Roller Support	19615	10160	Washer			
15808	10GFD	Washer	19634	10S3X	Bail Assembly			
15815	10BGG	Washer	19638	1015S	O Ring			
15819	10PVM	Screw	19640	1017T	Drug Disk B	19718	109UW	Belt (M) (accessory)
15820	10PVN	Screw	19641	1016A	Drag Washer C	21552	10RFH	Handle Shaft (Right) (accessory)