















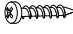



Assembly Instructions, #11286 Ironcraft Metal And Wood 58"W Corner TV Console

Parts List

Item	Parts	Description	Quantity
A		Top Panel	1
B		Side Frames	2
C		Right back panel	1
D		Left back panel	1
E		Back Panel	1
F		Vertical panel	1
G		Bottom Panel	1
H		Left shelf	1
I		Right shelf	1
J		Back legs	2

Hardware List

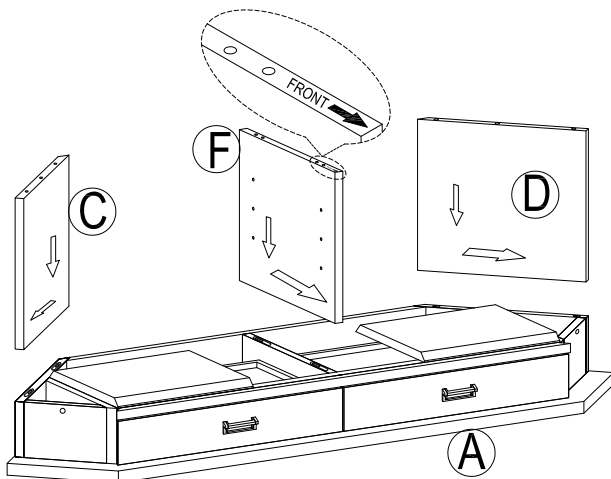
Item	Hardware	Description	Quantity
a		Long Allen Bolts	10
b		Short Allen Bolts	4
c		Flat Washers	14
d		Lock Washers	14
e		Allen Wrench	1
f		Shelf Supports	8
g		Screws	11
h		Wooden dowels	4

Assembly Steps

Step 1

1.1 Lay the Top Assembly (A) upside-down on a soft surface.

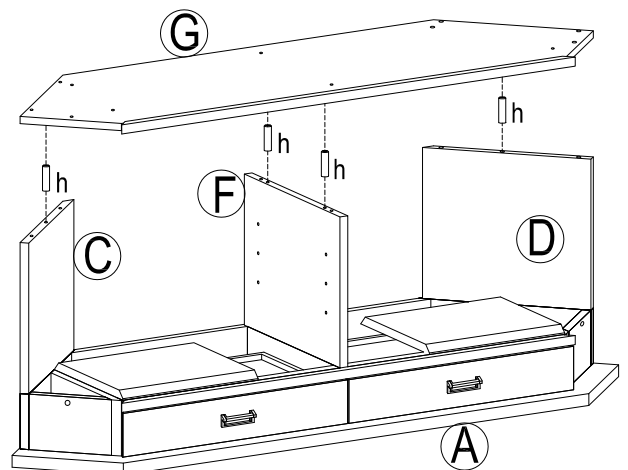
1.2 Insert the center vertical panel's (F) fastening hardware onto the top assembly with the front arrow sticker pointing to the drawer front, push down the vertical panel to make it tight while sliding its fastening hardware from back to front direction as shown by arrows. Do the same assembly step on (D & C) panels.



Step 2

2.1 Insert four wooden dowels (h) on panels (C & D & F).

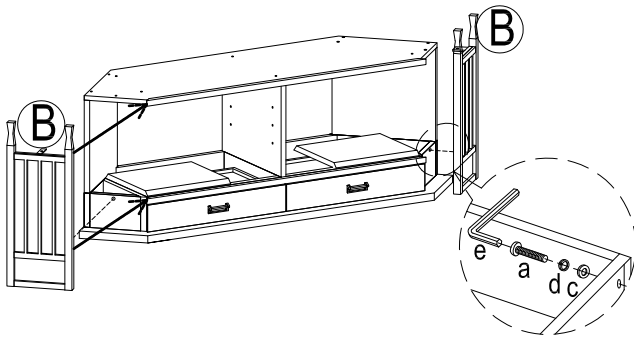
2.2 Place the bottom panel (G) on and make sure all wooden dowels are fully inserted into the bottom panel.



Assembly Steps

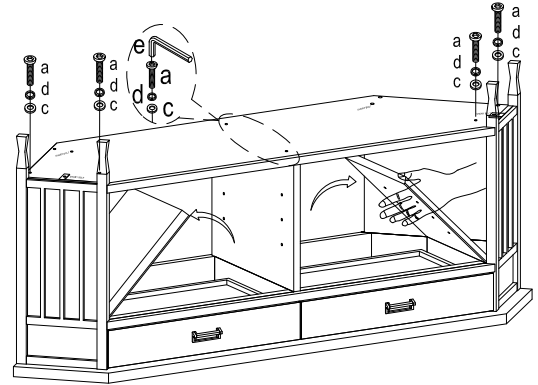
Step 3

- 3.1 Fit side frame (B) into the TV cabinet, make sure its front edge aligns well with top assembly and bottom panel's front edge.
- 3.2 Fasten with one long bolt from the inner side of top assembly.
- 3.3 Do the same thing at the other side panel (B).



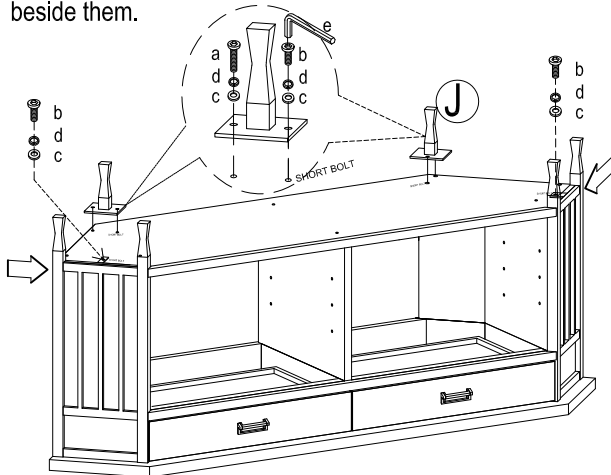
Step 4

- 4.1 Flip up two side panels until upright.
- 4.2 Fasten with two long bolts in the middle of bottom panel and four long bolts at two sides.



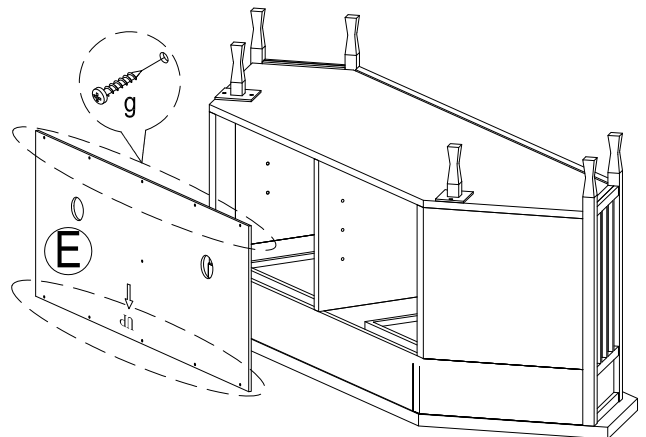
Step 5

- 5.1 Fasten each back leg with one long bolt and one short bolt. Please see which hole is for short bolt as indicated by sticker.
- 5.2 Push the side frame to the shelf front edge and fasten with one short bolt at each side. Again, holes for short bolts have stickers beside them.



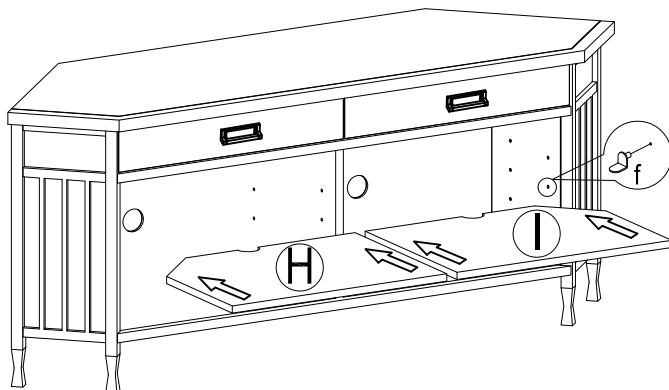
Step 6

- 6.1 Fasten the back panel using 11 screws with the "up" sticker at back panel pointing down.



Step 7

- 7.1 Place the TV cabinet upright.
- 7.2 Install the shelf supports (f) and place the shelves (H and I) on.



Step 8

- 8.1 Cut the strings that held drawers pulls in place during transit.
- 8.2 Adjust levelers on the bottom of leg frames if needed.

