

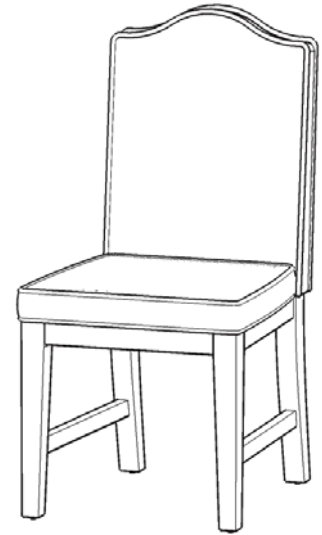
# 88 5170 81 Chair

## IMPORTANT NOTE

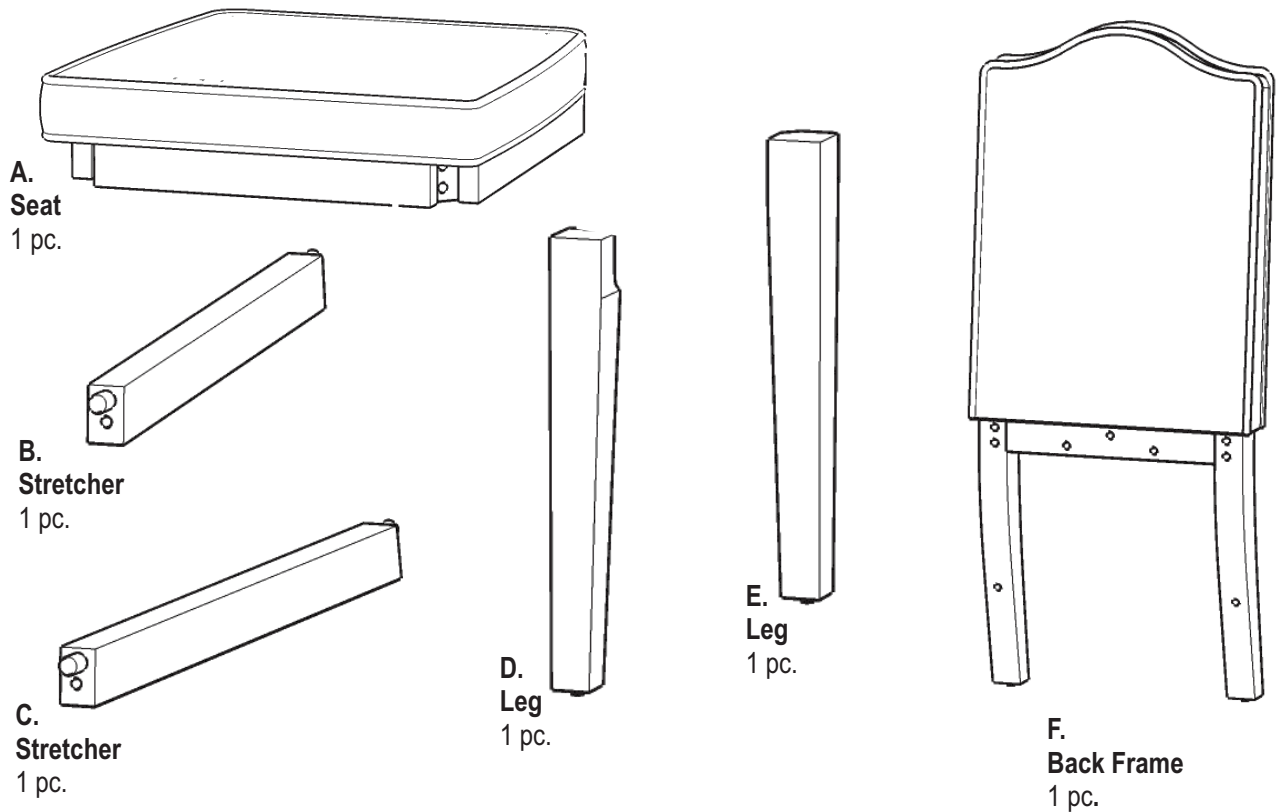
Carefully remove all the parts from the carton and put them individually on a soft cloth to prevent scratches or other damages occurring to the parts.

We have taken great care in the design of this product and request that you carefully and strictly follow our assembly instructions to ensure a completed product as it was designed.

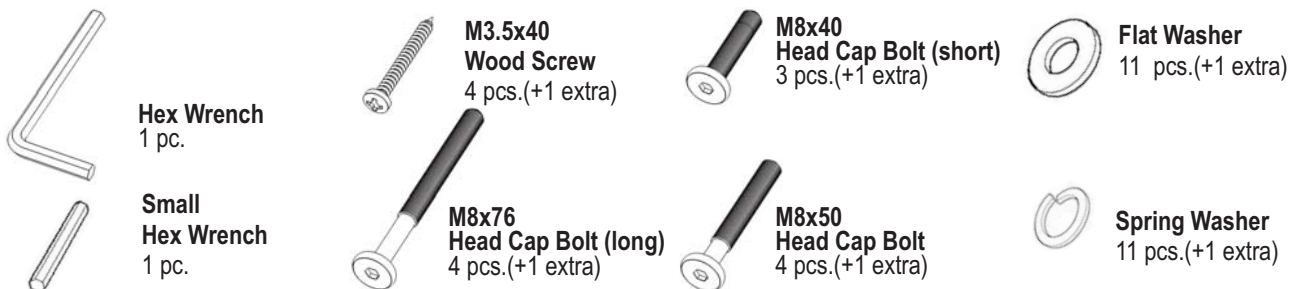
Home  
Styles



## Part List



## Hardware List



Tools required for assembly : Phillips screwdriver

Home Styles Consumer Assistance : [www.homestyles-furniture.com](http://www.homestyles-furniture.com),  
[servicedesk@homestyles-furniture.com](mailto:servicedesk@homestyles-furniture.com), 888-680-7460, 877-831-0319

**IMPORTANT**

\* Do not tighten up all the screws until each part is properly assembled.

\* You should keep the Hex Wrench in a safe place as you may need to tighten up the Head Cap Bolts in the future.

## STEP 1

Attach Seat (A) to Back Frame (F) with Flat Washers, Spring Washers, Head Cap Bolts (long) and Head Cap Bolts (short). (See Figures 1 and 2)

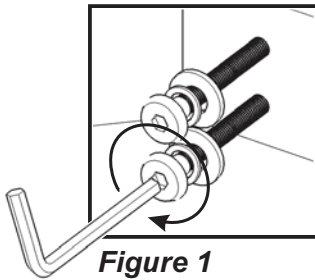


Figure 1

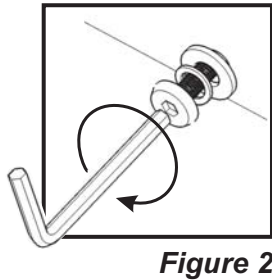
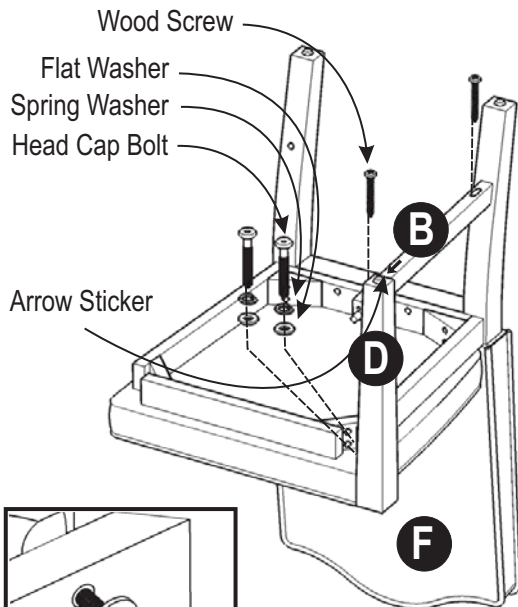
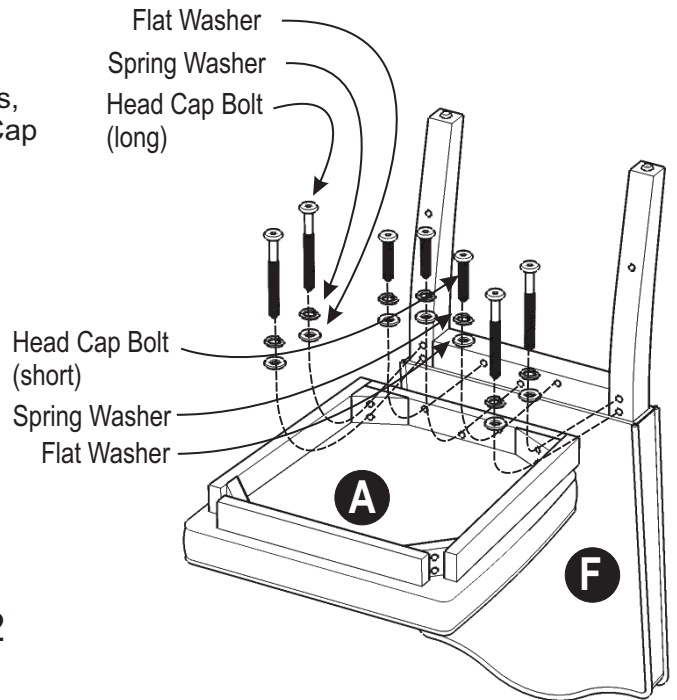


Figure 2



## STEP 2

Put end of Stretcher (B) into hole in Back Frame.

Slide Leg (D) into position on the unit with other end of Stretcher (B) in hole in Leg (D).

Attach Leg (D) to unit with Flat Washers, Spring Washers and Head Cap Bolts. (See Figure 3)

Attach Stretcher (B) to unit with Wood Screws. (See Figure 4), (See "Arrow" sticker indicating front side)

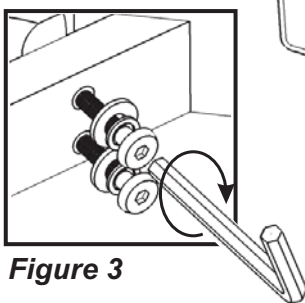


Figure 3

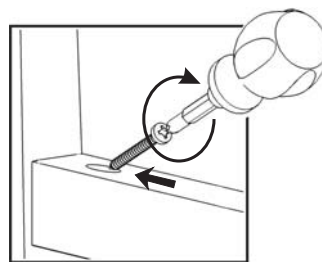


Figure 4

## STEP 3

Put end of Stretcher (C) into hole in Back Frame.

Slide Leg (E) into position on the unit with other end of Stretcher (C) in hole in Leg (E).

Attach Leg (E) to unit with Flat Washers, Spring Washers and Head Cap Bolts.

Attach Stretcher (C) to unit with Wood Screws. (See "Arrow" sticker indicating front side)

Tighten up all Head Cap Bolts and Wood Screws.

