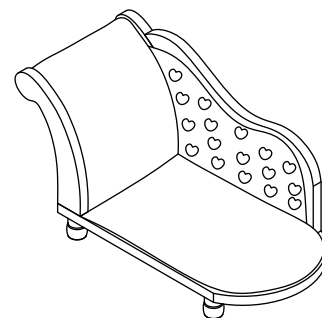


Olivia's Little World - Doll Sofa Set



**WARNING:**

Small parts and sharp point may be present prior to assembly.

Care Instructions

To clean your product, use mild soap and water on a damp cloth. Do not use window cleaners or cleaning abrasives as they will scratch the surface and could damage the protective coating.

Customer Service

For questions regarding this product, or to receive replacement or missing parts, please contact customer service based on your location. Please have ready the model number and part number(s) located in this assembly instruction sheet when you contact us.

[www.oliviaslittleworld.com](http://www.oliviaslittleworld.com)



**HARDWARE:**


- ① 3PCS  
Ø4×29mm
- ② 2PCS  
Ø4×22mm

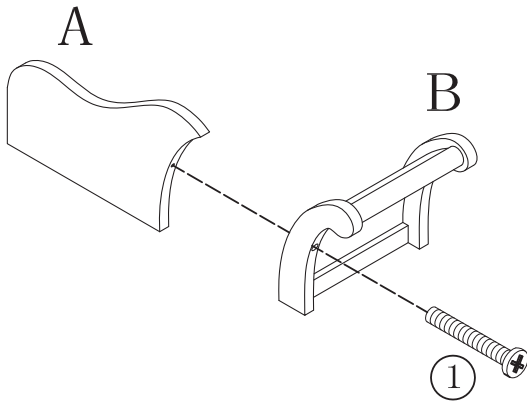


**PRODUCT PART:**



A	B	C	D
1PC	1PC	1PC	4PCS

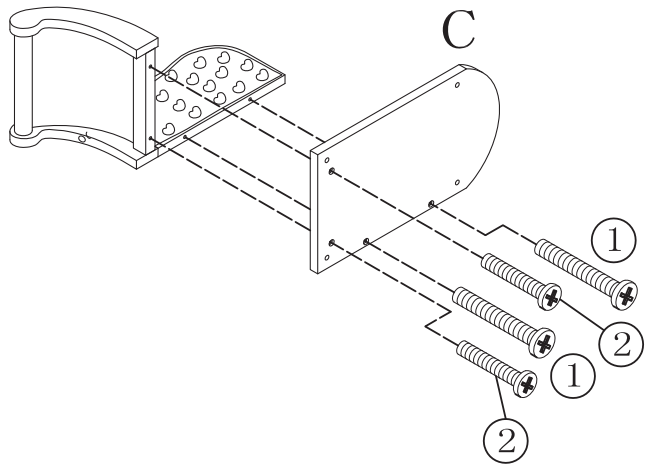
# Step 1

- ①  1PC  
Φ4\*29mm

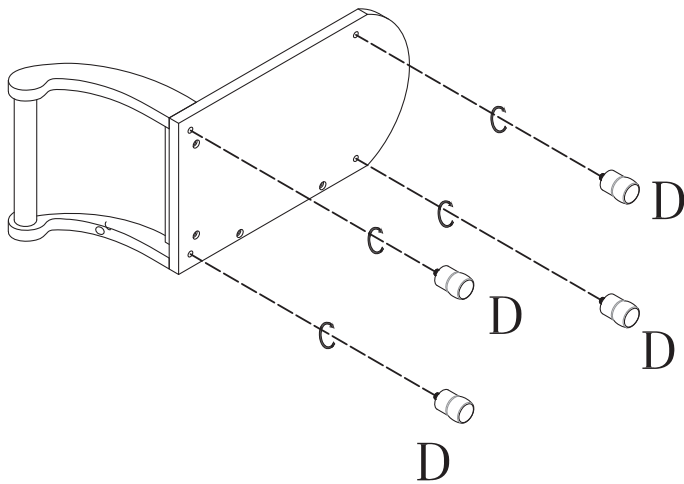


# Step 2

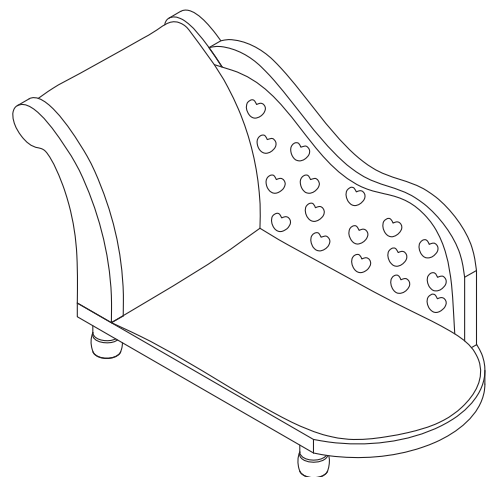
- ①  2PCS  
Φ4\*29mm
- ②  2PCS  
Φ4\*22mm



# Step 3



# Step 4



MADE IN CHINA