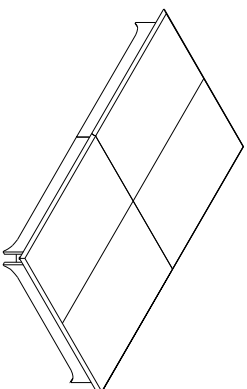
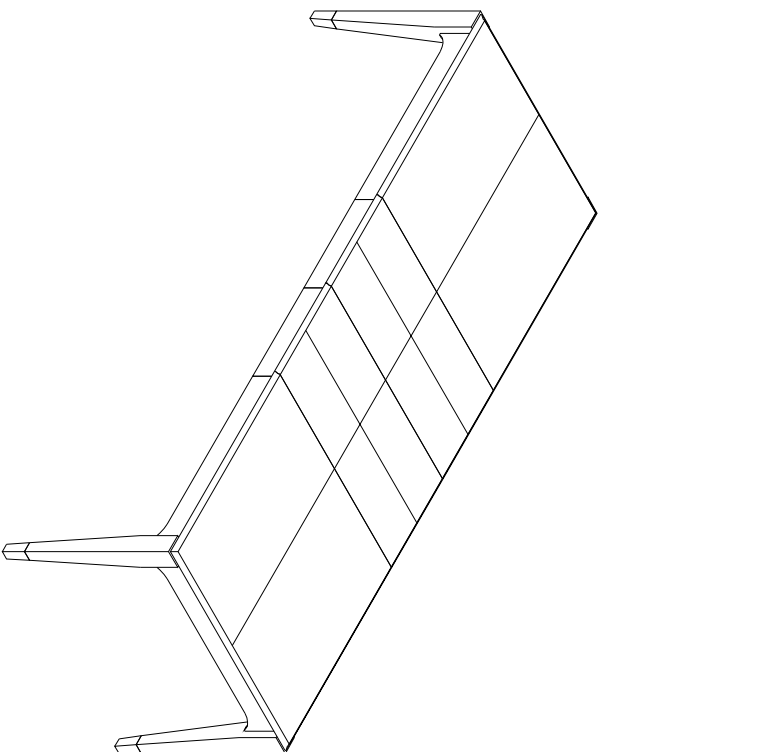
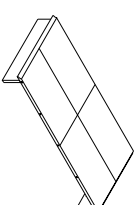


PARTS LIST / LISTE DES PIÈCES / LISTA DE PIEZAS
ITEM NO. / NO D'ARTICLE / ARTICULO NO. : P359240
DESCRIPTION / LA DESCRIPTION / DESCRIPCIÓN : LEG DINING TABLE / TABLE À MANGER / MESA DE COMEDOR



A

x1 Table Top
 x1 Dessus de table
 x1 Tablero de mesa



B

x2 Table Leaf
 x2 Panneau de table
 x2 Extensión



C

x4 Table Leg *
 x4 Pate de table
 x4 Pata de mesa



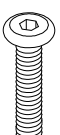
D

x8 Flat Washer $\phi 5/16 \times 19 \times 2mm$ *
 x8 Rondelle plate $\phi 5/16 \times 19 \times 2mm$
 x8 Arandela plana $\phi 5/16 \times 19 \times 2mm$



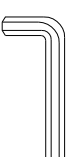
E

x8 Lock washer $Q5/16$ *
 x8 Rondelle de blocage $Q5/16$
 x8 Arandela de Seguridad $Q5/16$



F

x8 Allen bolt $\phi 5/16 \times 50mm$ *
 x8 Vis à tête creuse hexagonale $\phi 5/16 \times 50mm$
 x8 Perno Allen $\phi 5/16 \times 50mm$



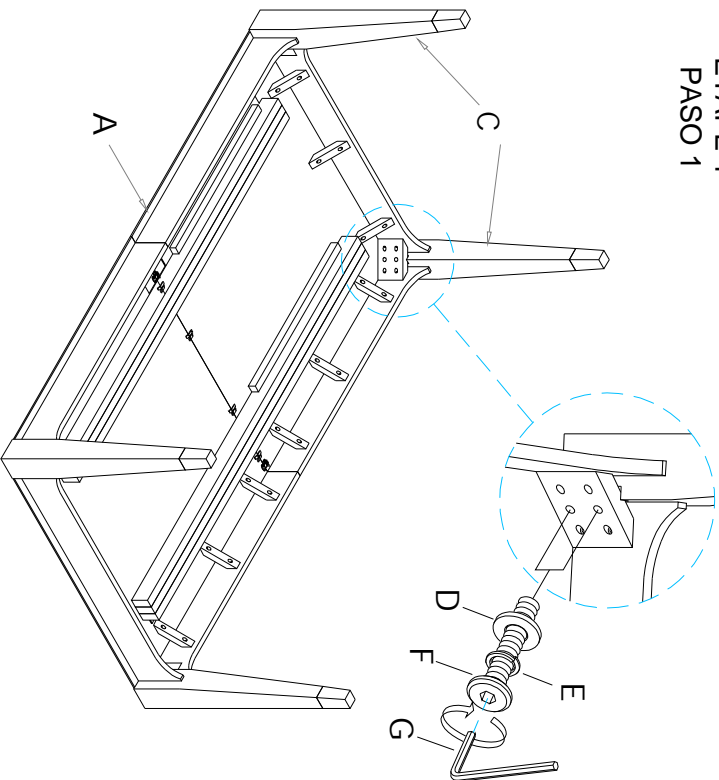
G

x1 Allen key 5mm *
 x1 Clé hexagonale 5mm
 x1 Llave Allen 5mm

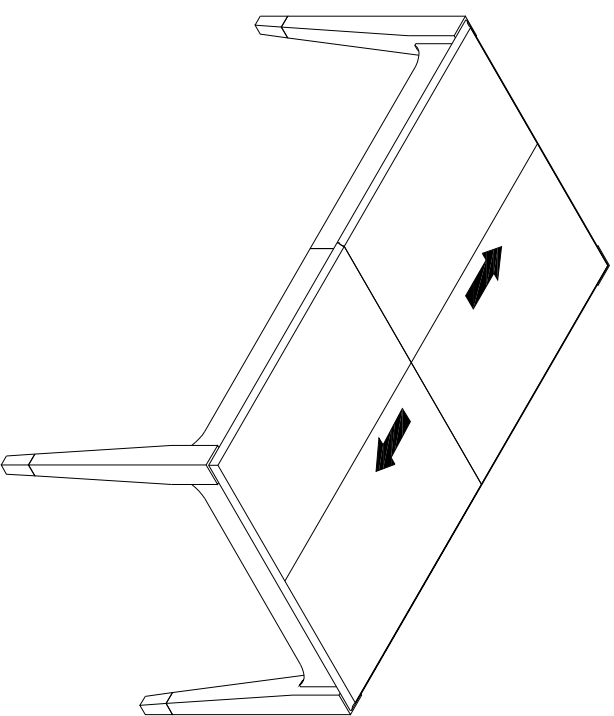
* Replaceable Part

ASSEMBLY INSTRUCTIONS/ NOTICE DE MONTAGE/ INSTRUCCIONES DE MONTAJE
ITEM NO./ NO D'ARTICLE/ ARTICULO NO. : P359240
DESCRIPTION/ LA DESCRIPTION /DESCRIPCIÓN : LEG DINING TABLE/ TABLE À MANGER/ MESA DE COMEDOR

STEP 1
ÉTAPE 1
PASO 1

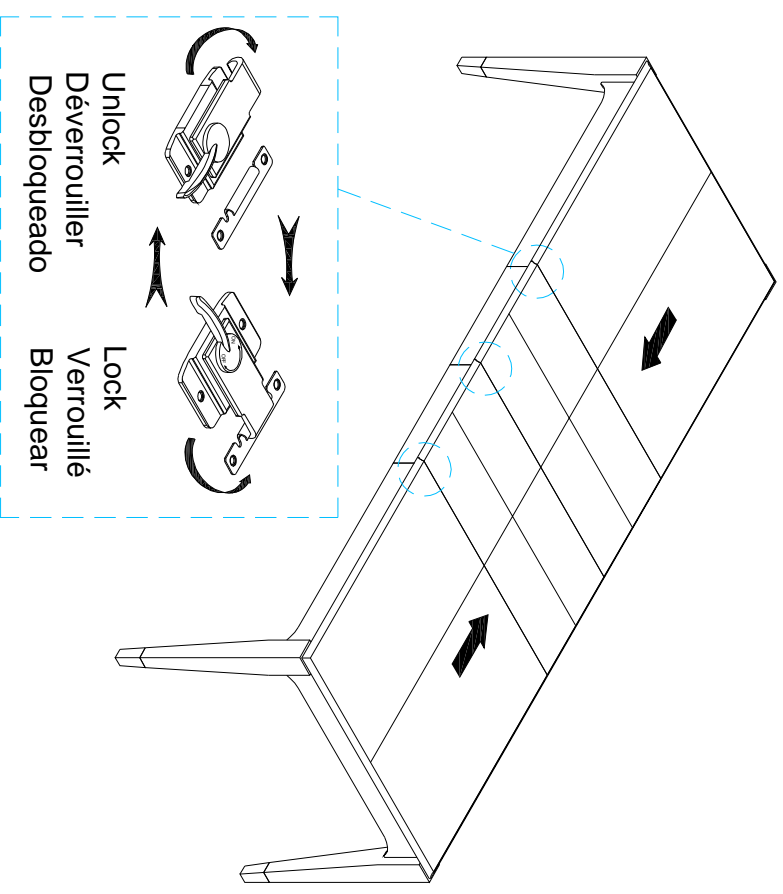
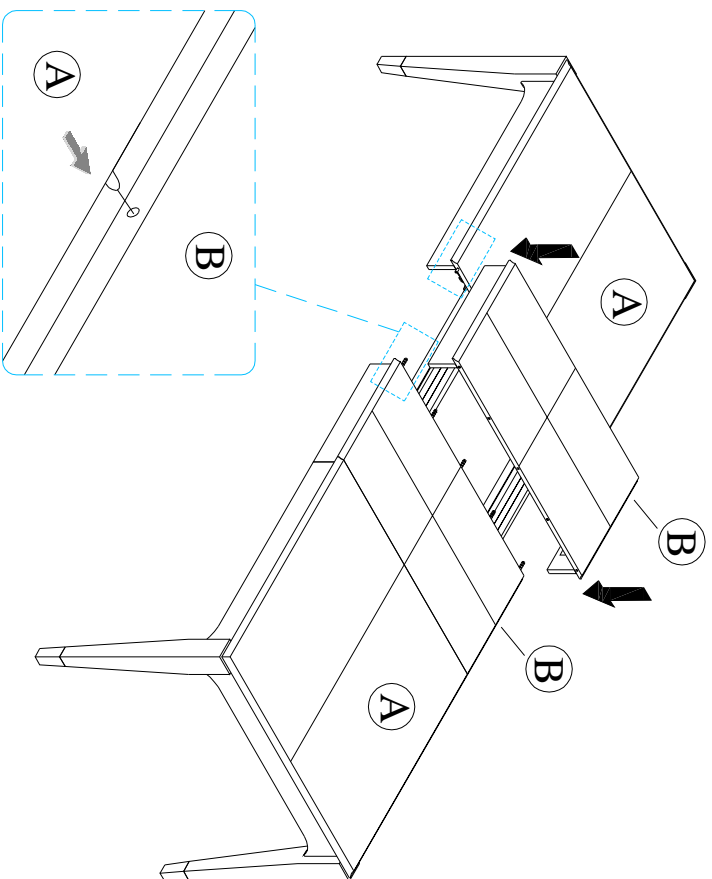


STEP 2
ÉTAPE 2
PASO 2



* Replaceable Part

**STEP 3
ÉTAPE 3
PASO 3**

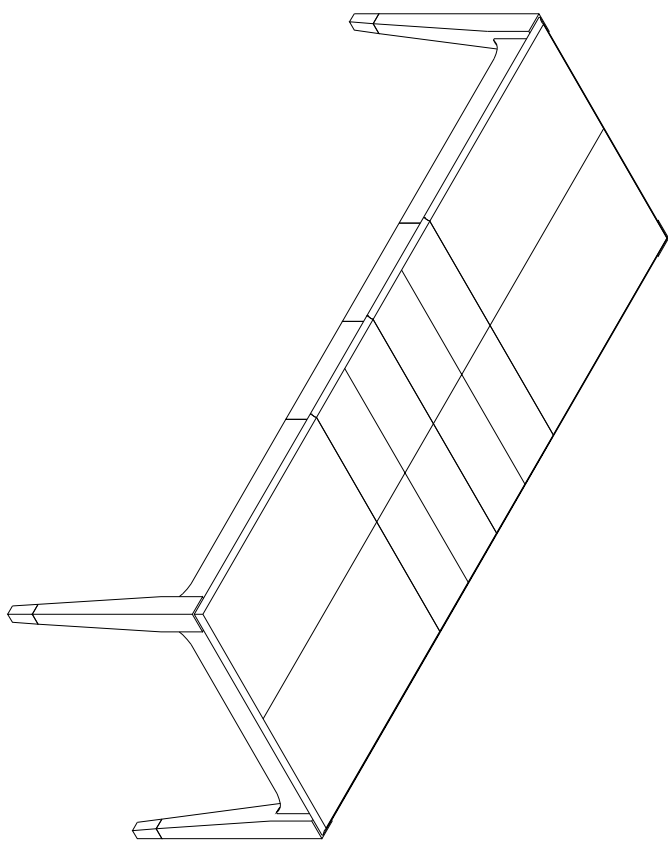


* Replaceable Part

REPLACEABLE PART / PARTIE REMPLAÇABLE / PARTE REEMPLAZABLE

ITEM NO. / NO D'ARTICLE / ARTICULO NO. : P359240

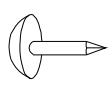
DESCRIPTION / LA DESCRIPTION / DESCRIPCIÓN : LEG DINING TABLE / TABLE À MANGER / MESA DE COMEDOR



x1 RP359240-HWKIT-Hardware Kit *
Liste des pièces de quincaillerie
Lista del kit de materiales



x4 RP359240-Leg with Metal *
Jambes
Piernas



x4 RC-WH-NAIL - White Plastic Nail *
Clou en plastique
Clavo de plástico



x6 RC-SMV-LOCK-Common SMV Table Lock *
Verrouille
Blouear

* Replaceable Part

Protect Your Wood or Laminate Flooring

* This statement applies to any floor without carpet.

If not careful, all furniture including upholstery and case pieces can scratch, scuff and even gouge floors. The recommendation is to have felt, rubber pads or area rugs under furniture on flooring without carpet.

Moving your furniture

Pushing and dragging furniture over floor without carpet can lead to scratches and scuffs. Have someone help when moving the larger pieces of furniture by lifting, try using a dolly or moving pads.

Felt and rubber pads

Applying furniture pads to the feet of furniture helps cushion contact points. Furniture pads can be found at local hardware stores. Felt pads slide easily across the floor, making them ideal for dining chairs and other pieces that move with use. Rubber pads will help furniture stay in place and are perfect for larger pieces, like sofas and loveseats.

Area rugs and rug pads

Using an are rug under furniture is another way to protect your floor from scratches and scuff marks. A rug pad under the area rug will provide extra cushion and added protection.

* *Reproachable Part*