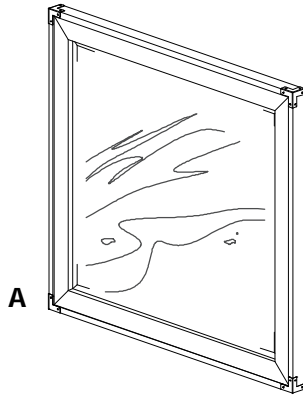


ADLER DRESSER MIRROR ASSEMBLY INSTRUCTIONS

PARTS AND FITTING PACKAGING DETAIL

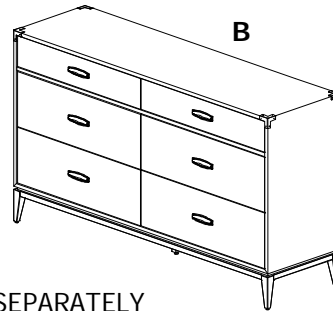
BOX DRESSER MIRROR

A. DRESSER MIRROR 1 PC



BOX DRESSER *

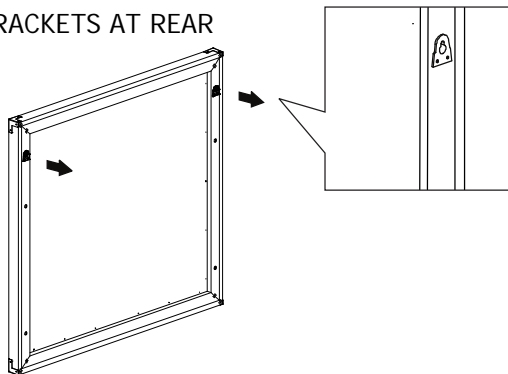
B. DRESSER 1 PC
C. DRESSER MIRROR SUPPORT
HARDWARE POUCH** 2 PCS



*SOLD SEPARATELY

OPTION 1 WALL MOUNTING

FIX DRESSER MIRROR TO WALL
USING KEYHOLE
BRACKETS AT REAR



⚠️ WARNING

FOR YOUR SAFETY AND CONVENIENCE
ASSEMBLY BY TWO PEOPLE IS RECOMMENDED

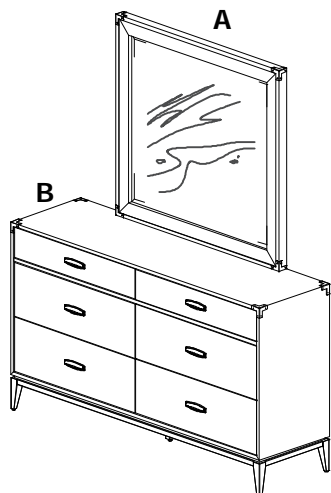
HARDWARE** POUCH PACKED IN BOX DRESSER

1	ALLEN BOLTS 40MM	8 PCS	2	WASHER	8 PCS

TOOL REQUIRED:

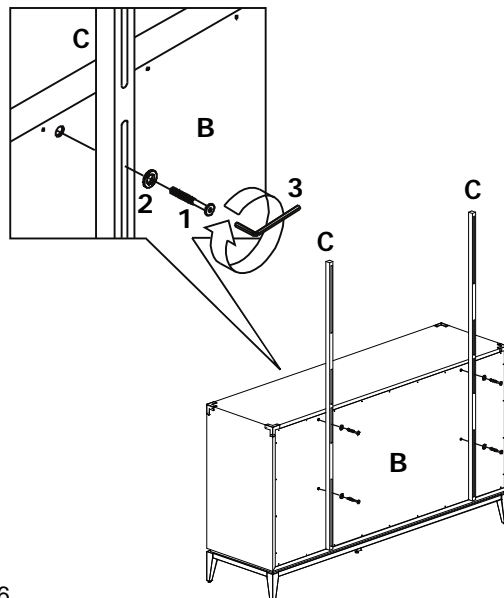
3	ALLEN KEY	1 PC

OPTION 2 DRESSER MOUNTING



STEP 1 :

FIX DRESSER MIRROR SUPPORTS (C) TO
DRESSER (B) USING ALLEN BOLTS (1) AND
WASHERS (2). TIGHTEN BOLTS WITH
ALLEN KEY (3). DO NOT TIGHTEN BOLTS
COMPLETELY UNTIL YOU HAVE COMPLETED
STEP 2.



STEP 2 :

FIX DRESSER MIRROR (A) TO DRESSER
MIRROR SUPPORTS (C) WITH ALLEN
BOLTS (1) AND WASHERS (2). TIGHTEN
ALL BOLTS WITH ALLEN KEY (3).

