

# Assembly Guide

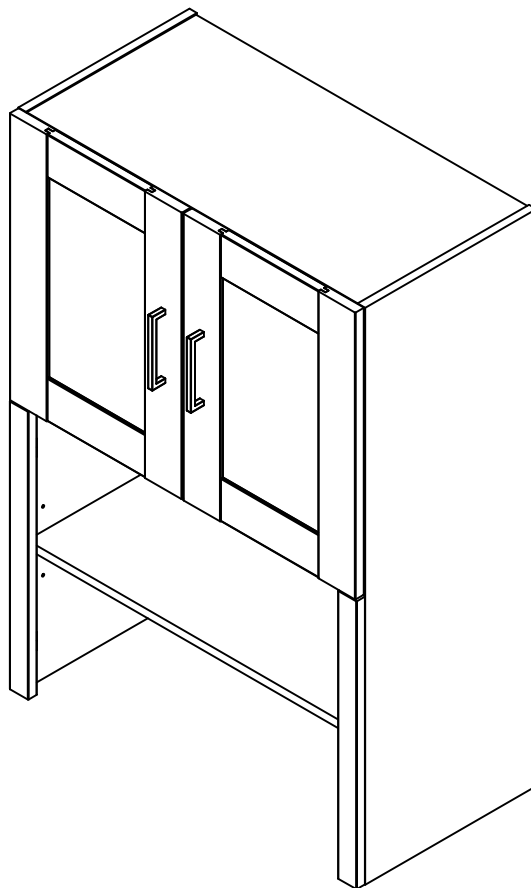


If you're having any difficulty during assembly of this product, don't hesitate to call us at **1-800-950-4782.**

Our customer service experts are trained to provide step-by-step instruction and can easily replace any missing or damaged parts.

**Representatives are available Monday-Friday from 8:30 a.m. to 7:30 p.m. (ET)**

## 30W 2 Door Storage Cabinet



Lot Code #

Instruction Sheet Number A215648

Keep manual for future reference.

## For best results, keep these tips in mind:

- ① We know you want to finish this assembly as quickly as possible, but trust us: you'll have a better experience if you take it one step at a time.
- ② Give yourself some room to work near where you want the fully assembled product.
- ③ If your floor isn't carpeted, assemble this product on the empty carton to avoid scratching.
- ④ Do you have a friend who owes you a favor? Some steps may go a little easier with a second set of hands.

## DOs

- ✔ Use a #2 Phillips head screwdriver (or other handheld tools as indicated)
- ✔ Wear safety glasses at all times during assembly
- ✔ Carefully follow the instructions in this guide and complete all steps in order
- ✔ Give us a call if you're having trouble with a particularly tricky step

## DON'Ts

- ✘ We know power tools are quick and easy, but you shouldn't use them when assembling this product (unless otherwise specified)
- ✘ Never move your furniture with items inside or resting on the surface
- ✘ Do not attempt to use this product before all steps have been completed

## Watch assembly videos right on your phone or computer!



Some steps include QR codes that link to helpful videos. Watch out for the icon below! Simply open up your smartphone camera to scan the code.

*(Users of older smartphones may need to install a QR Reader.)*

**SCAN HERE**



**FOR VIDEOS**

Or visit <https://bushfurniture.com/help-faq/#assembling>



# IMPORTANT SAFETY INFORMATION



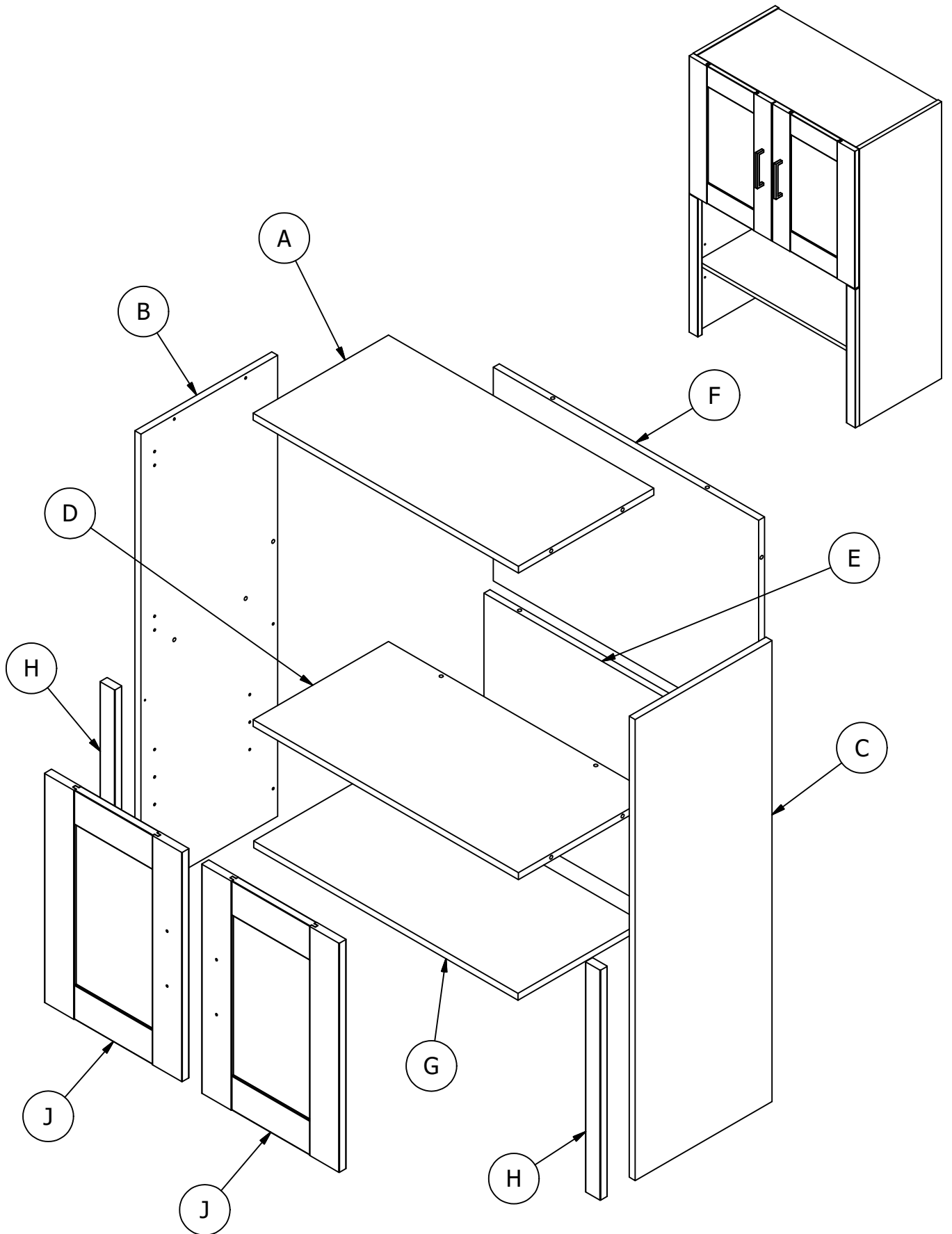
## PLEASE READ WARNINGS

Improper use can cause safety hazards, or damage to your furniture and household items.

Warning	Do	Don't	Why it's important
<b>Serious injury may occur.</b>	<ul style="list-style-type: none"><li>Assemble following all instructions using all indicated parts and hardware provided.</li><li>Attach hutch as described in the instructions.</li><li>Verify furniture is stable on it's own.</li></ul>	<ul style="list-style-type: none"><li>Do not move unit when loaded.</li><li>Do not load with a television or other heavy equipment.</li><li>Do not exceed the maximum load limits stated in the instructions.</li><li>Do not allow children to climb, or hang on furniture.</li></ul>	Improper assembly, use or loading can lead to product instability, tipover, or collapse.

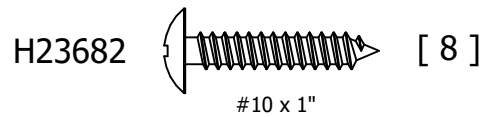
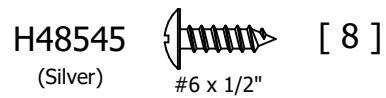
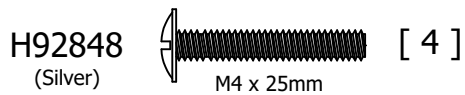
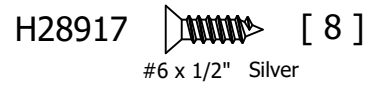
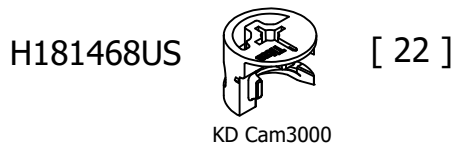
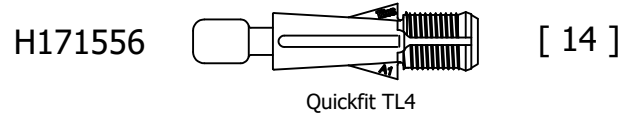
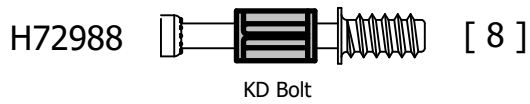
Advertencia	Hacer	No	Por qué es importante
<b>Pueden producirse lesiones graves.</b>	<ul style="list-style-type: none"><li>Realice el montaje siguiendo todas las instrucciones y utilizando todas las piezas indicadas y los herrajes suministrados.</li><li>Fije la conejera como se describe en las instrucciones.</li><li>Compruebe que el mueble sea estable por sí mismo.</li></ul>	<ul style="list-style-type: none"><li>No mueva la unidad cuando esté cargada.</li><li>No cargue el mueble con un televisor u otro equipo pesado.</li><li>No supere los límites máximos de carga indicados en las instrucciones.</li><li>No permita que los niños trepen o se cuelguen de los muebles.</li></ul>	El montaje, uso o carga inadecuados pueden provocar inestabilidad, vuelco o colapso del producto.

Avertissement	À faire	À ne pas faire	Pourquoi c'est important
<b>Peut entraîner des blessures graves.</b>	<ul style="list-style-type: none"><li>Assembler en suivant toutes les instructions et en utilisant toutes les pièces et la quincaillerie incluses.</li><li>Fixez la huche conformément aux instructions.</li><li>Assurez-vous que le meuble soit stable par lui-même.</li></ul>	<ul style="list-style-type: none"><li>Ne pas déplacer le meuble lorsqu'il est chargé.</li><li>Ne pas charger le meuble avec un téléviseur ou tout autre équipement lourd.</li><li>Ne pas dépasser les limites de poids maximales indiquées dans les instructions.</li><li>Ne pas laisser les enfants grimper ou s'accrocher aux meubles.</li></ul>	Un assemblage, une utilisation ou un chargement incorrects peuvent entraîner l'instabilité, le basculement ou l'effondrement du produit.



Have an assembly question or need a replacement part? Just call **1-800-950-4782**, we are here to help.

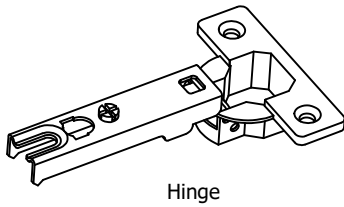
Fasteners are shown actual size.



Have an assembly question or need a replacement part? Just call  
**1-800-950-4782**, we are here to help.

Hardware not to scale.

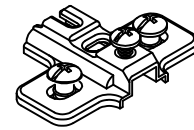
H126359



[ 4 ]

Hinge

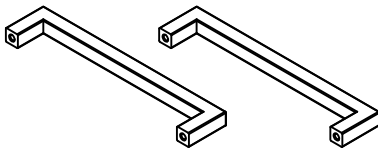
H126758



[ 4 ]

Mounting Plate

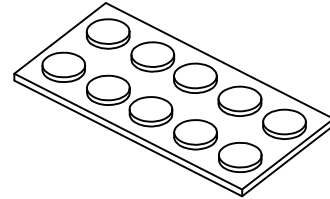
Q215208



[ 2 ]

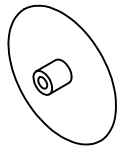
Pull

H215406



[ 1 ]

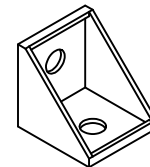
Bumper (10) per pack



[ 22 ]

Cover Cap

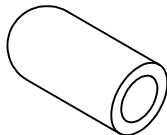
H215451



[ 4 ]

Angle Bracket

H126396



[ 4 ]

Shelf Pin Sleeve

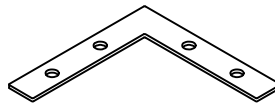
H23604



[ 4 ]

Shelf Pin

H85966



[ 2 ]

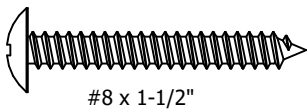
Bracket

## TIPOVER RESTRAINT HARDWARE

SUGERENCIA SOBRE HARDWARE DE RETENCIÓN

MATÉRIEL DE RETENUE SUR LE SUPPORT

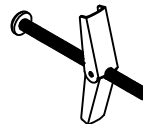
H107572



[ 1 ]

#8 x 1-1/2"

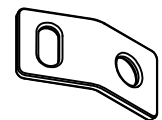
H181419



[ 1 ]

Toggle Bolt

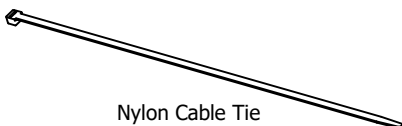
H181412



[ 2 ]

Connecting Plate

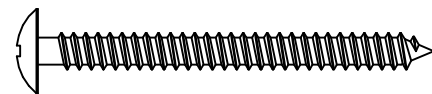
H181411



[ 1 ]

Nylon Cable Tie

H181434



[ 1 ]

#10 x 2"

Have an assembly question or need a replacement part? Just call

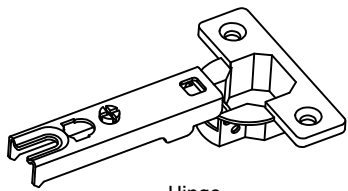
**1-800-950-4782**, we are here to help.

# STEP 1

## Prepare Panels

A215648

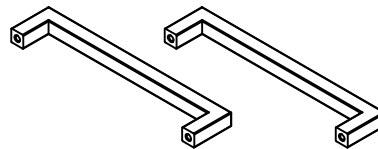
H126359



[ 4 ]

Hinge

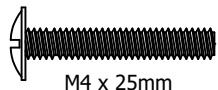
Q215208



[ 2 ]

Pull

H92848  
(Silver)



[ 4 ]

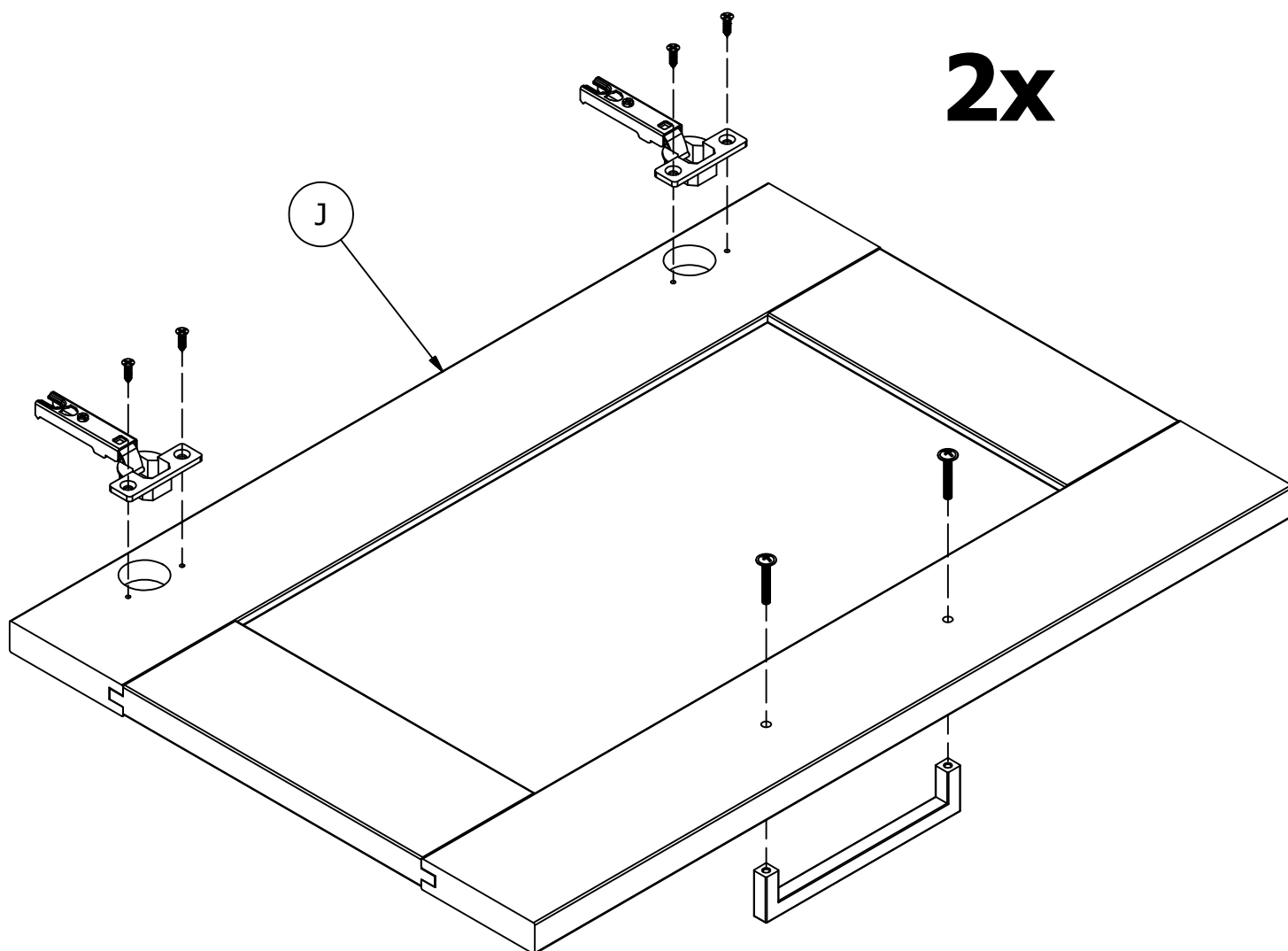
M4 x 25mm

H28917



[ 8 ]

#6 x 1/2" Silver



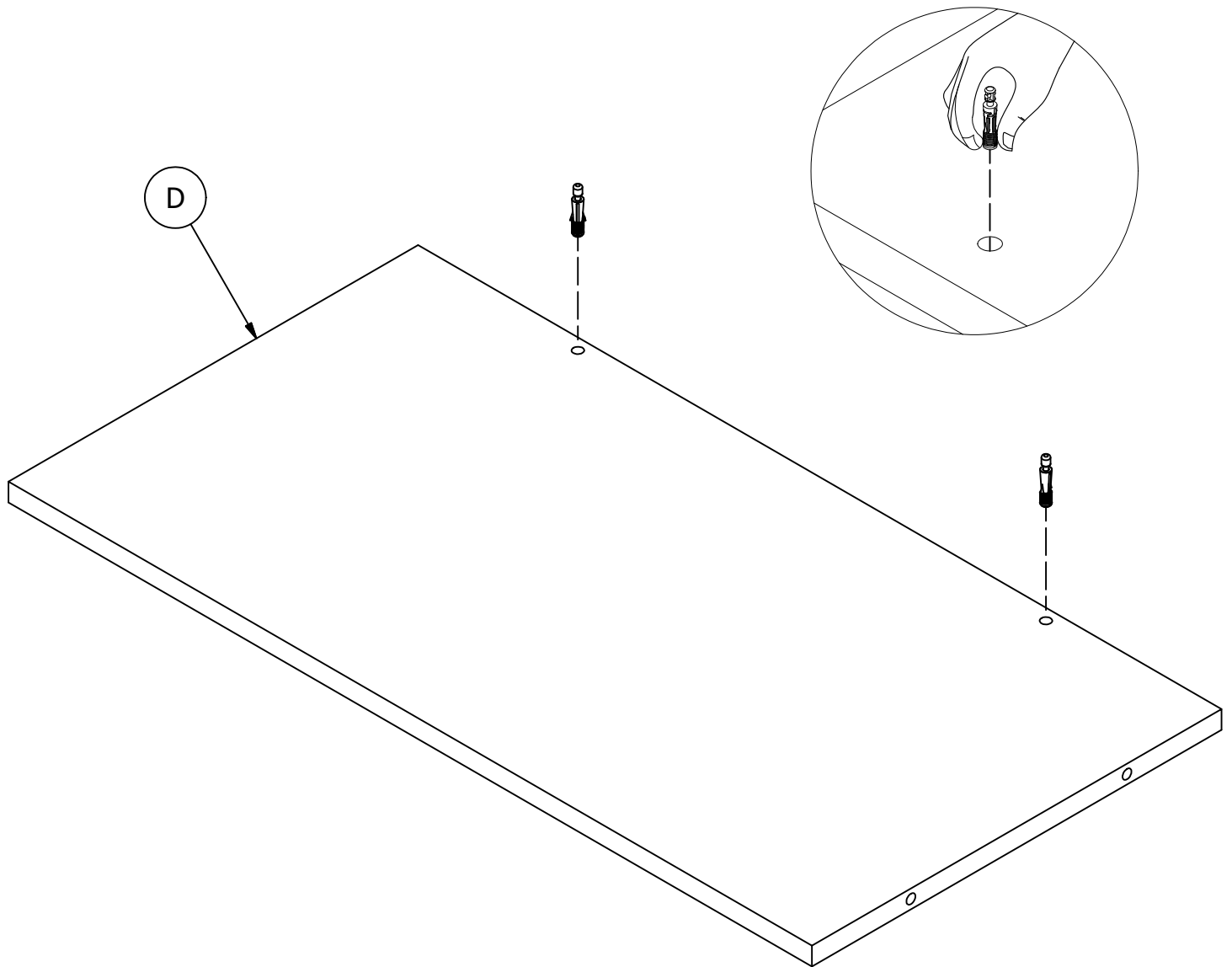
Have an assembly question or need a replacement part? Just call  
**1-800-950-4782**, we are here to help.

# STEP 2

# Prepare Panel

A215648

H171556 [ 2 ]  
Quickfit TL4



Have an assembly question or need a replacement part? Just call  
**1-800-950-4782**, we are here to help.



# STEP 3

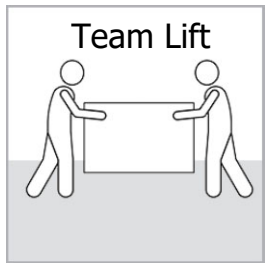
# Assemble Panels

A215648

Scan QR Code to Watch Video on:



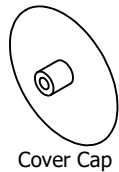
How to Tighten KD Cams



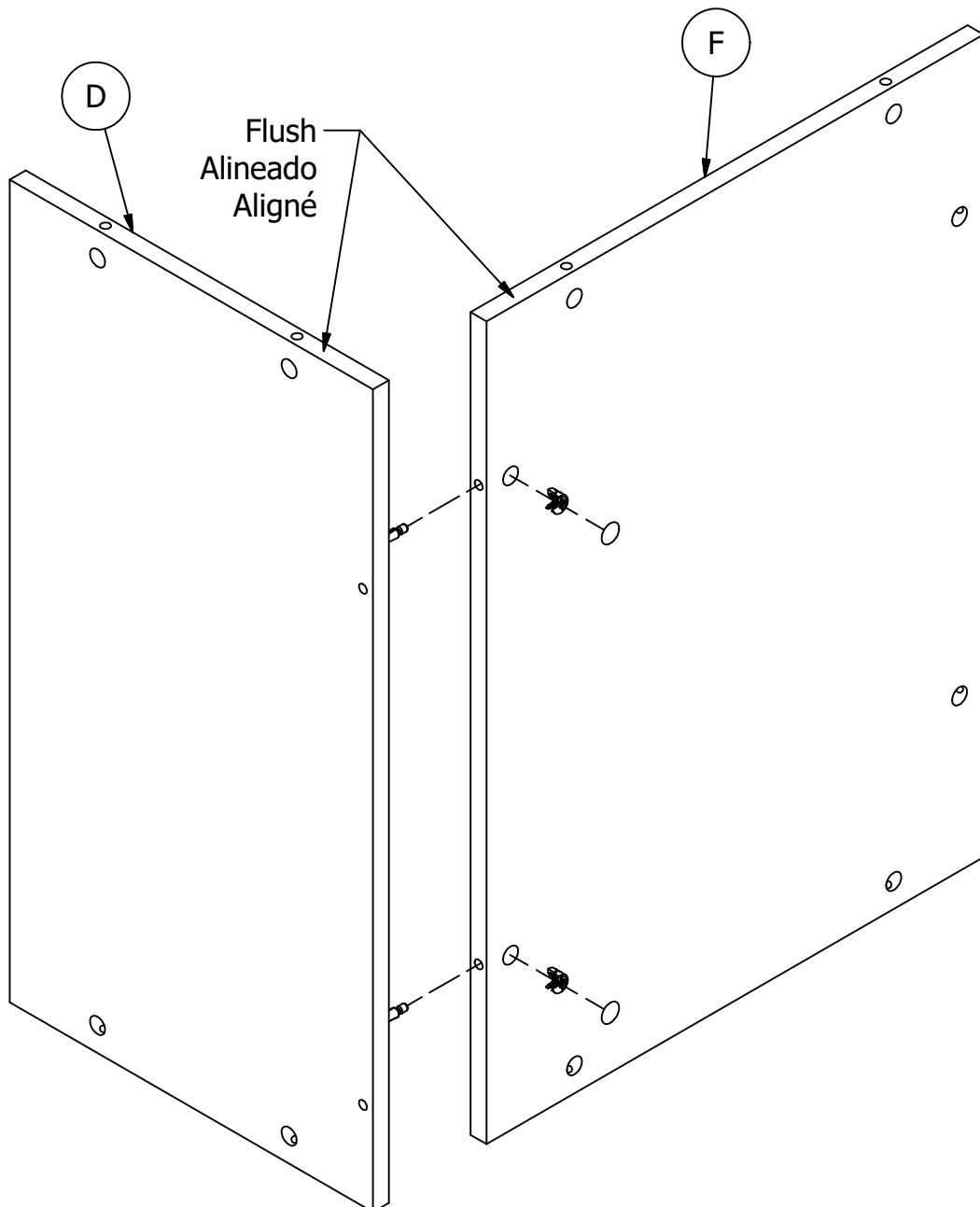
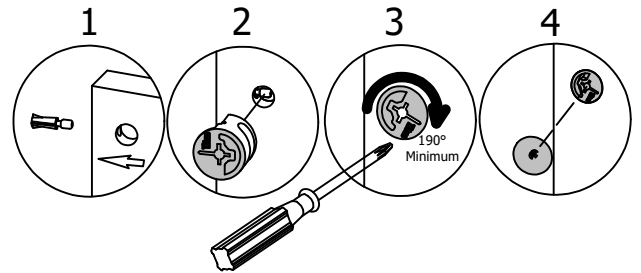
H181468US



[ 2 ]



[ 2 ]



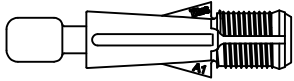
Have an assembly question or need a replacement part? Just call **1-800-950-4782**, we are here to help.

# STEP 4

# Prepare Panel

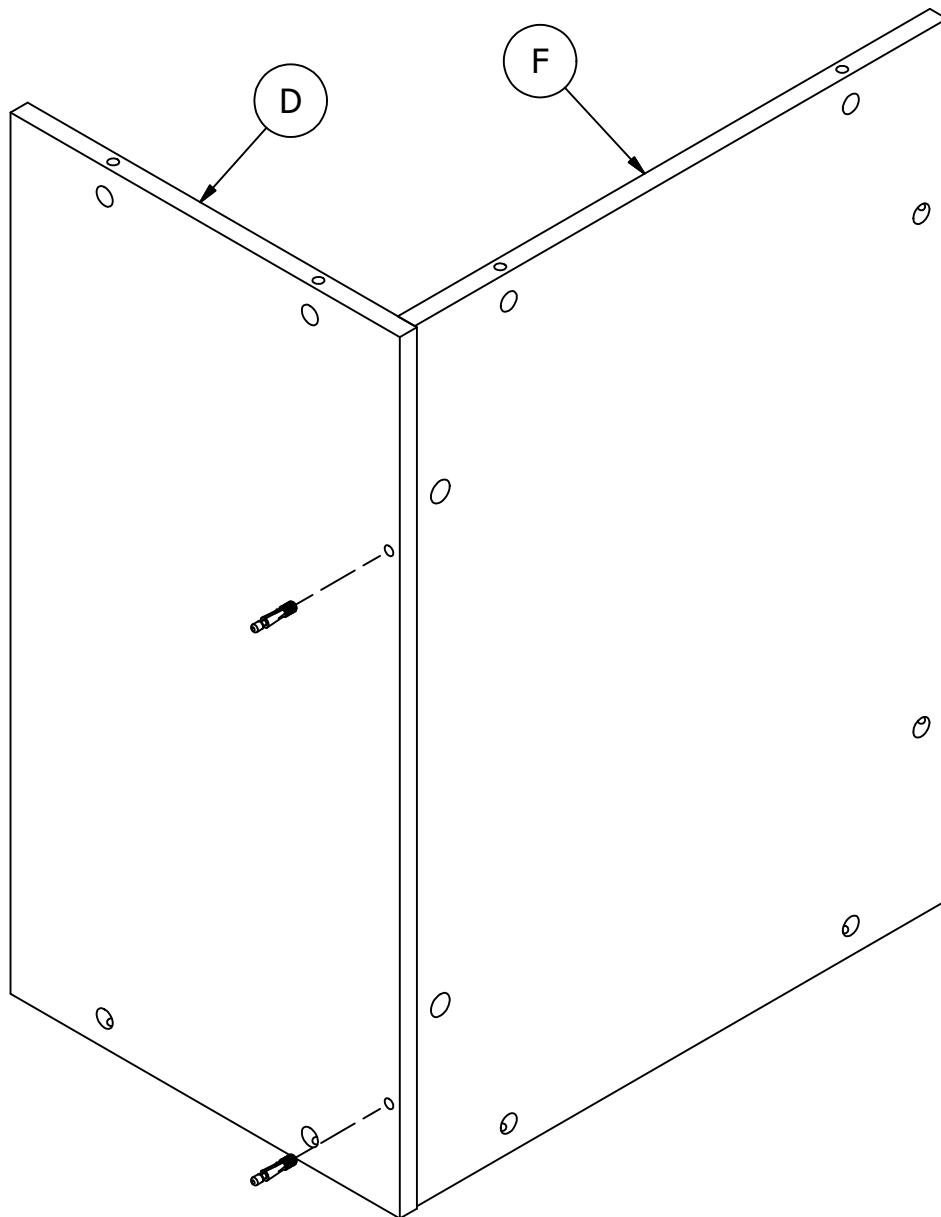
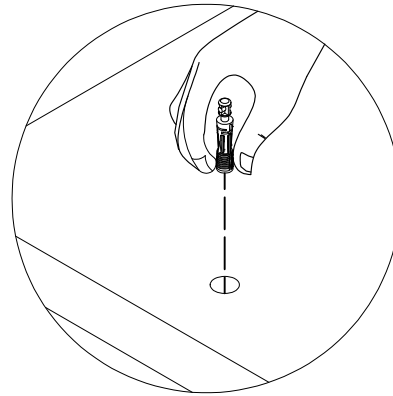
A215648

H171556



Quickfit TL4

[ 2 ]



Have an assembly question or need a replacement part? Just call **1-800-950-4782**, we are here to help.

# STEP 5

## Assemble Panels

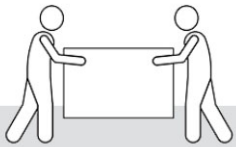
A215648

Scan QR Code to Watch Video on:



How to Tighten KD Cams

Team Lift



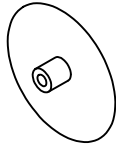
H181468US



[ 2 ]

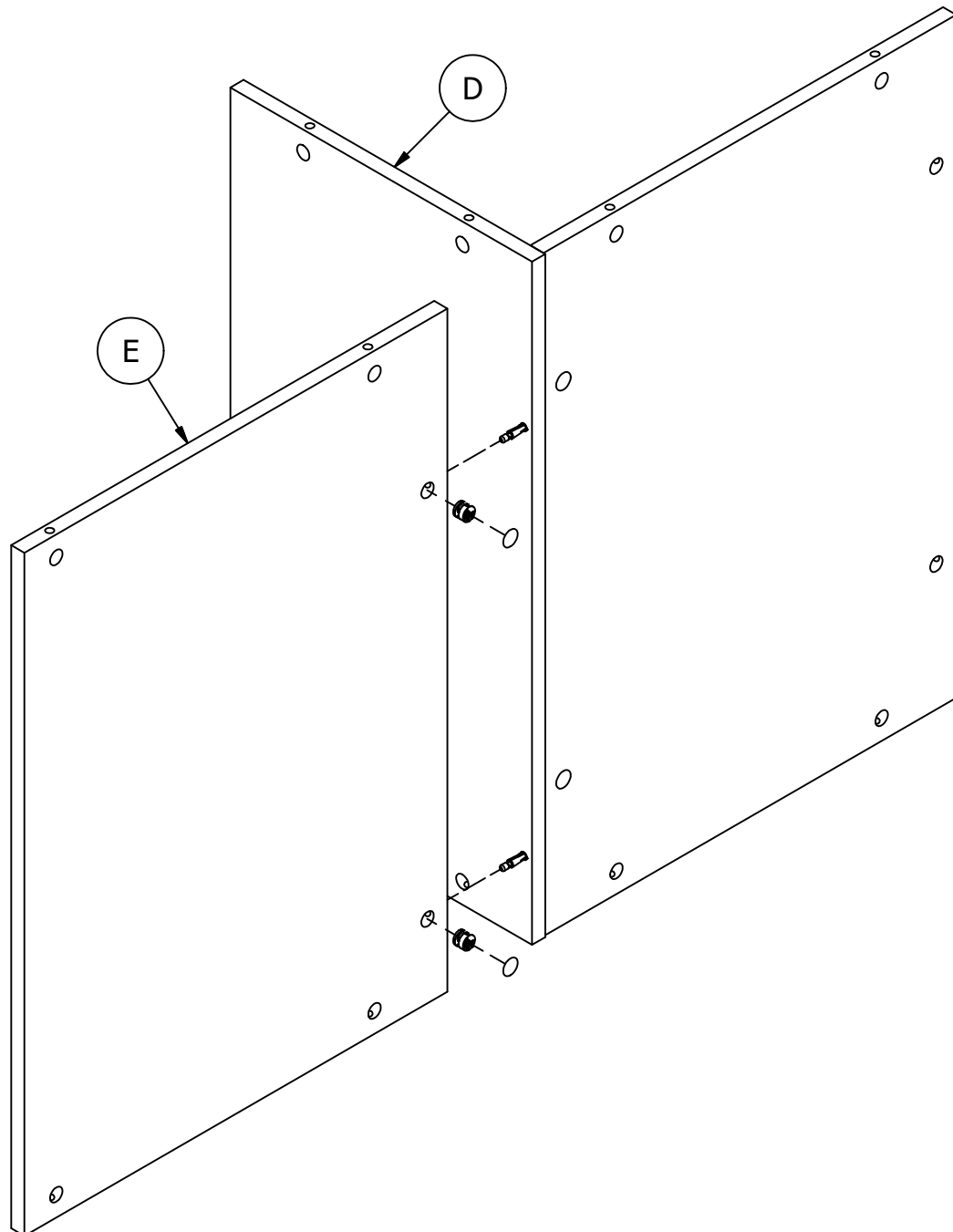
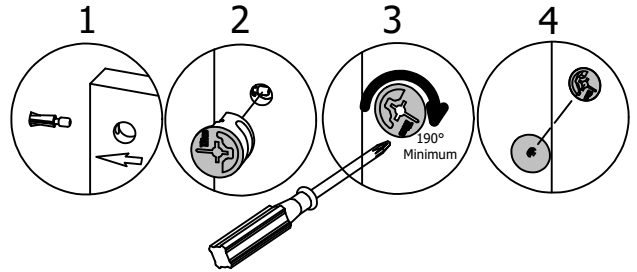
KD Cam3000

H73619



[ 2 ]

Cover Cap



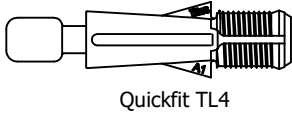
Have an assembly question or need a replacement part? Just call **1-800-950-4782**, we are here to help.

# STEP 6

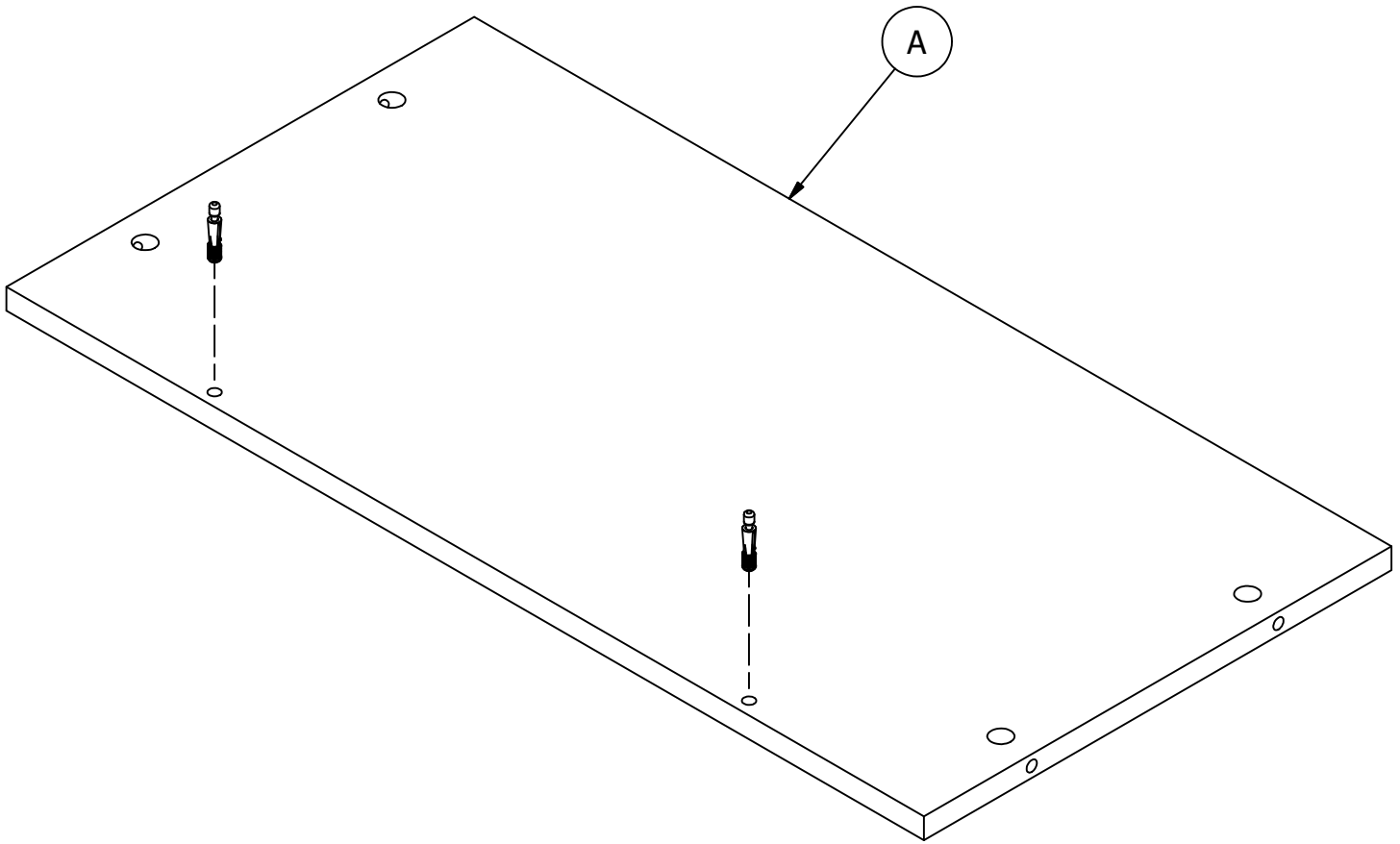
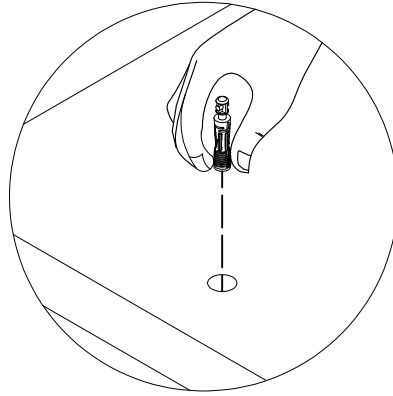
# Prepare Panel

A215648

H171556



[ 2 ]



Have an assembly question or need a replacement part? Just call **1-800-950-4782**, we are here to help.

# STEP 7

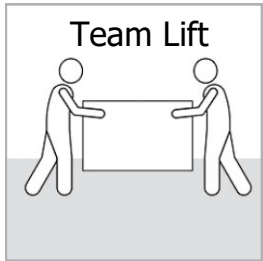
# Assemble Panels

A215648

Scan QR Code to Watch Video on:



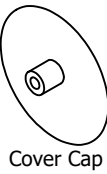
How to Tighten KD Cams



H181468US

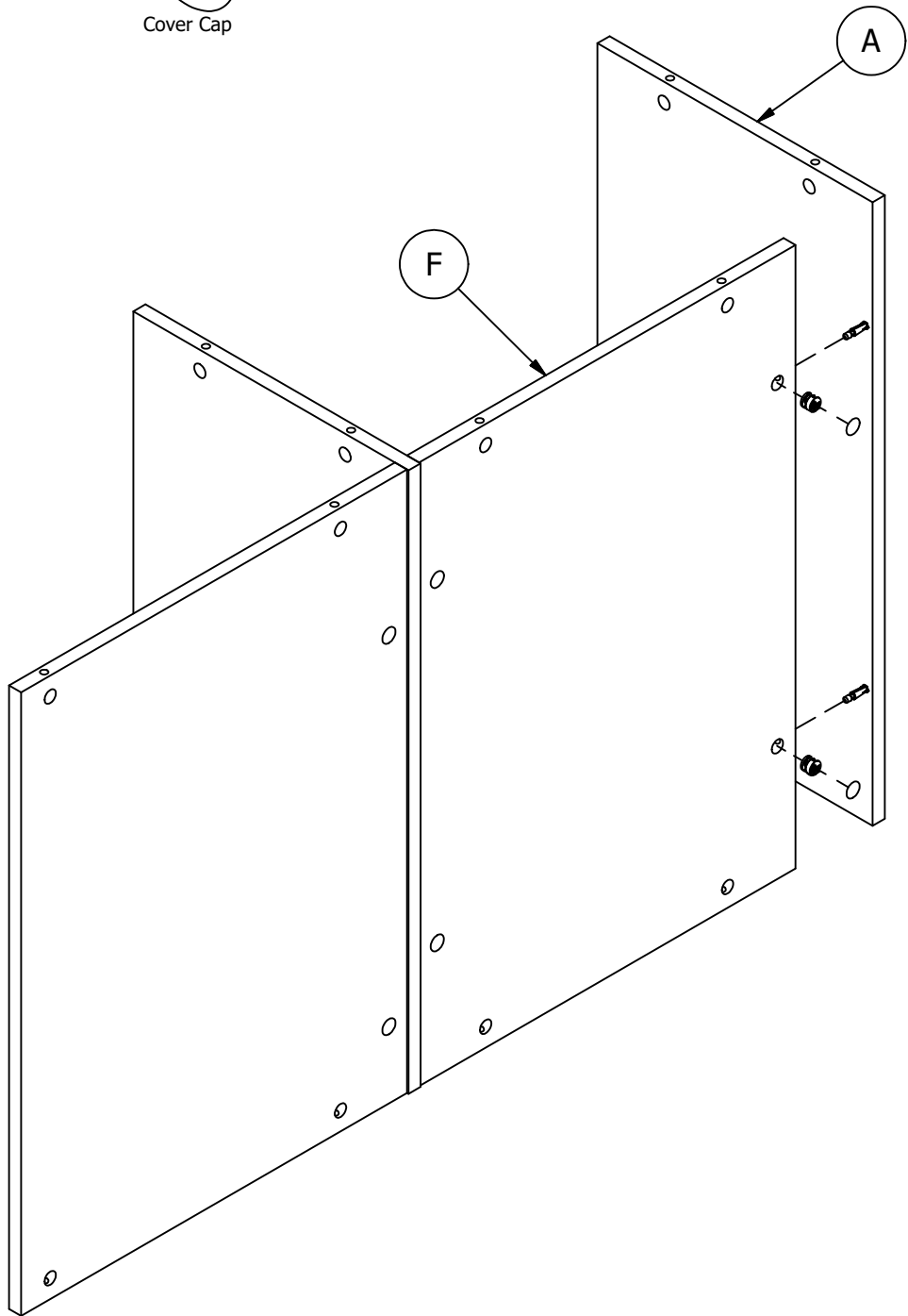
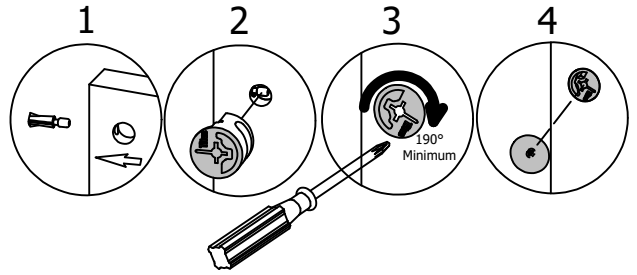


[ 2 ]



H73619

[ 2 ]



Have an assembly question or need a replacement part? Just call **1-800-950-4782**, we are here to help.

# STEP 8

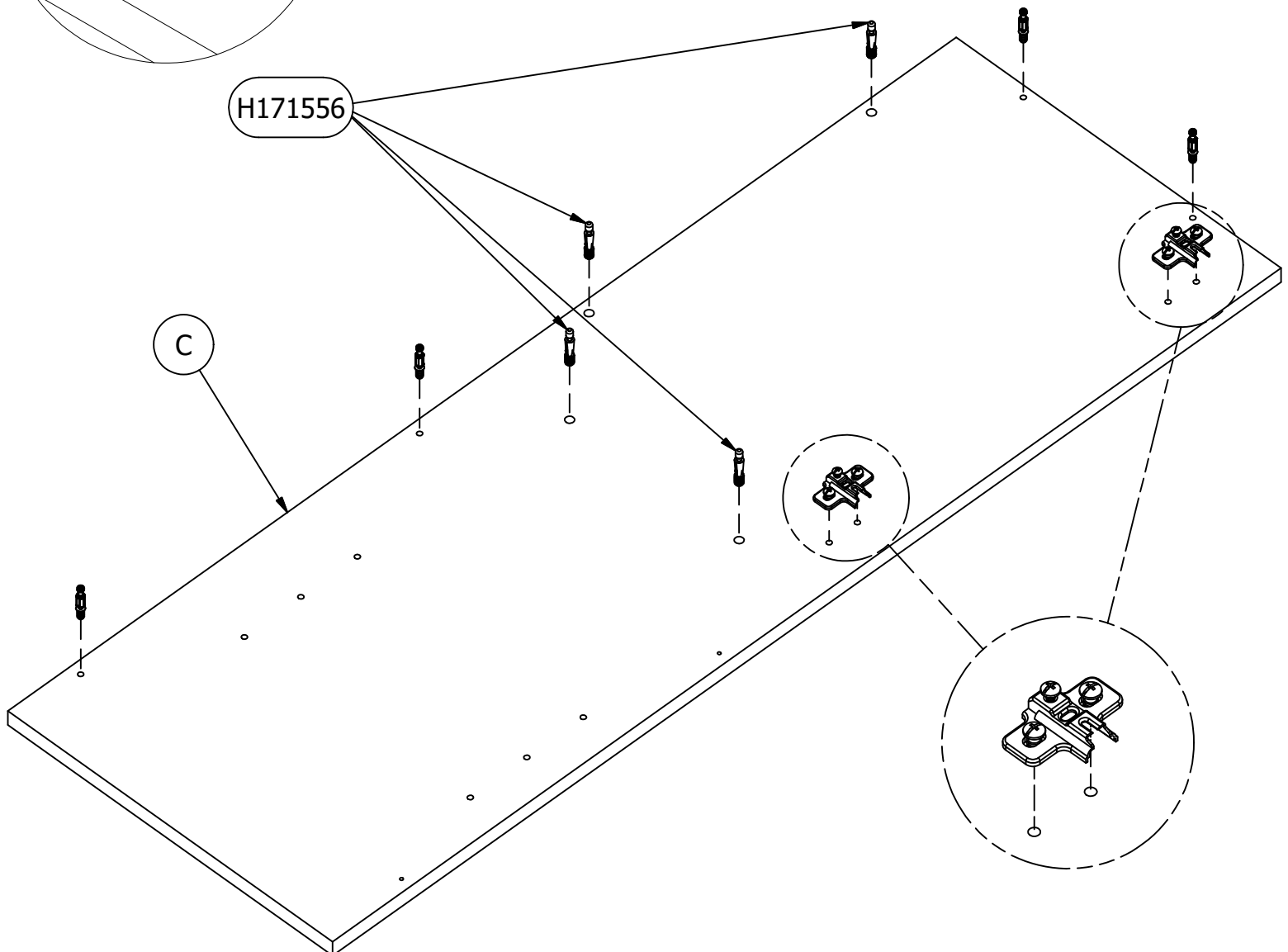
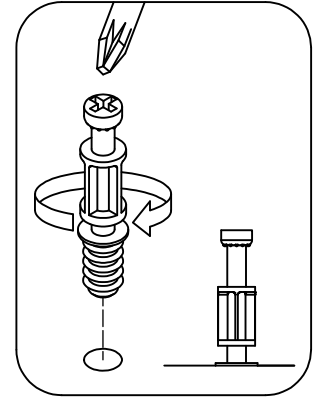
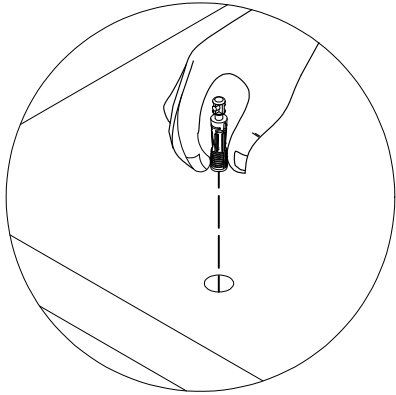
# Prepare Panel

A215648

H72988 [ 4 ]  
KD Bolt

H126758 [ 2 ]  
Mounting Plate

H171556 [ 4 ]  
Quickfit TL4



Have an assembly question or need a replacement part? Just call **1-800-950-4782**, we are here to help.

# STEP 9

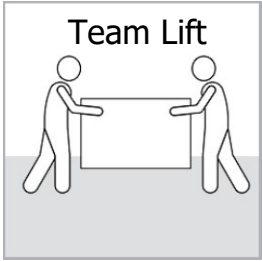
# Assemble Panels

A215648

Scan QR Code to Watch Video on:



How to Tighten KD Cams

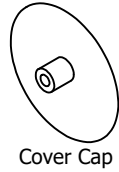


H181468US

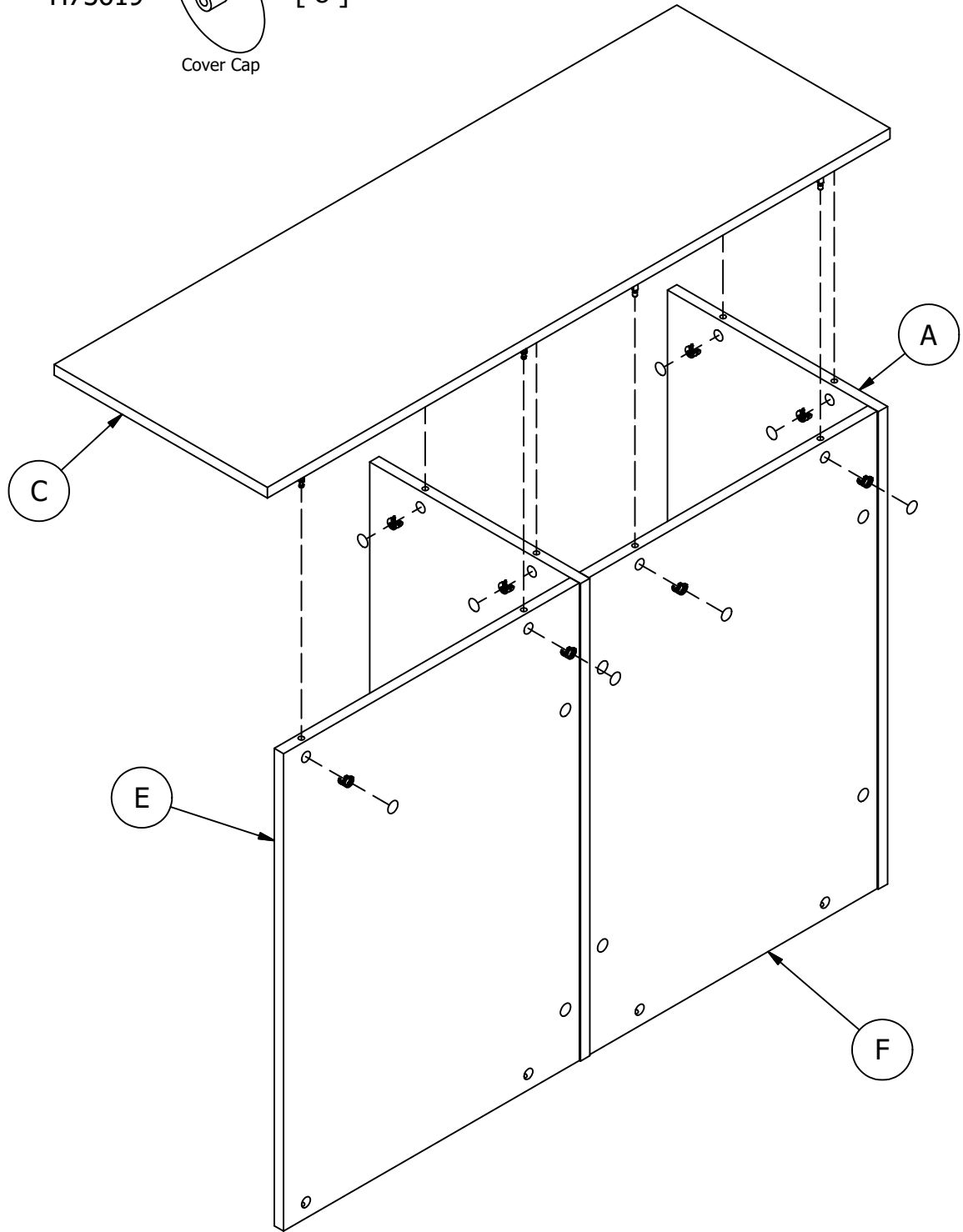
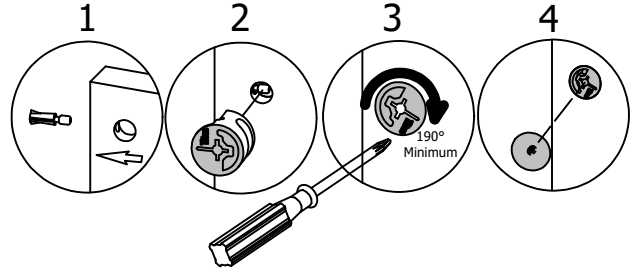


[ 8 ]

H73619



[ 8 ]




Have an assembly question or need a replacement part? Just call **1-800-950-4782**, we are here to help.

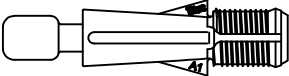
# STEP 10

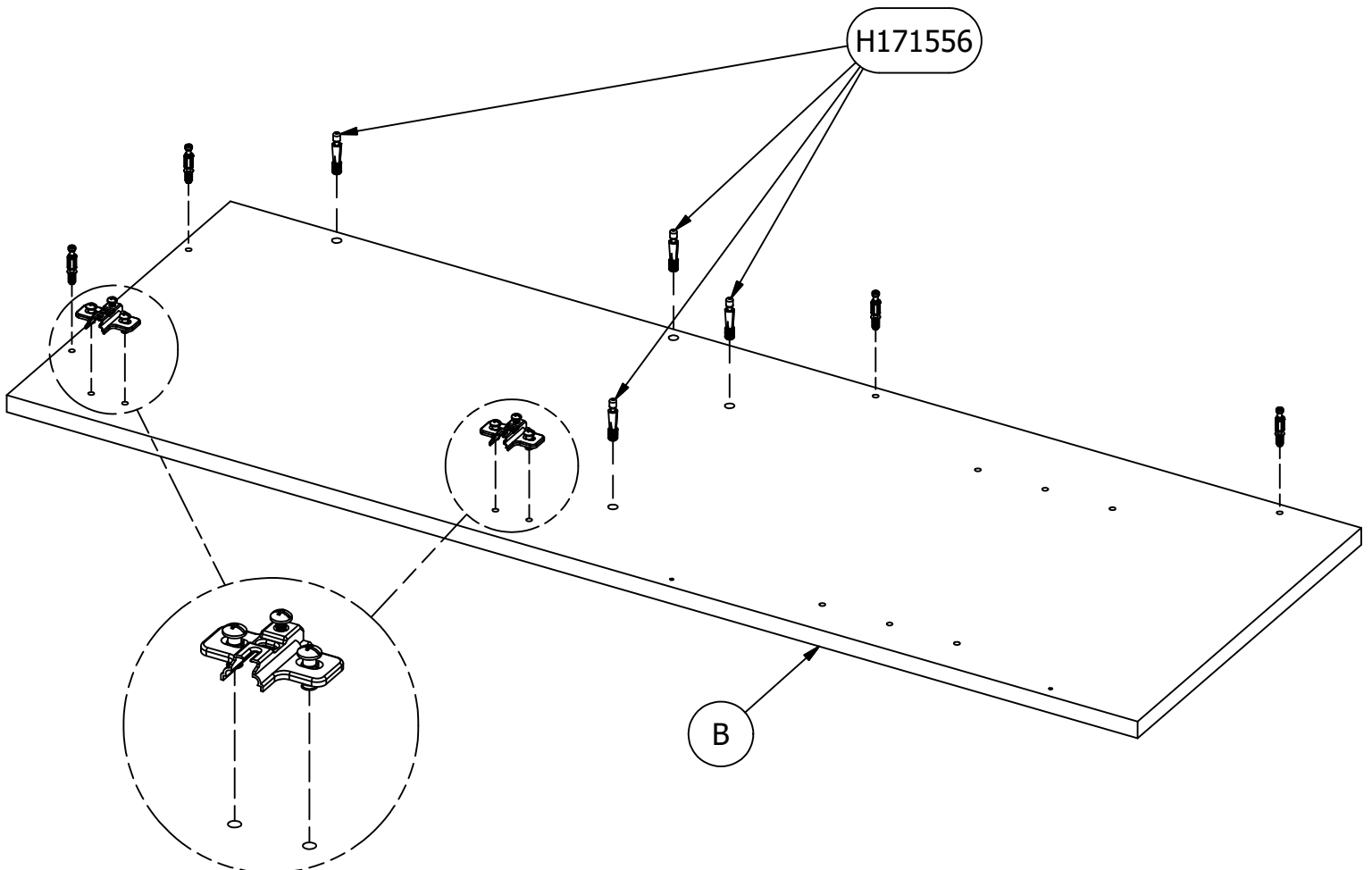
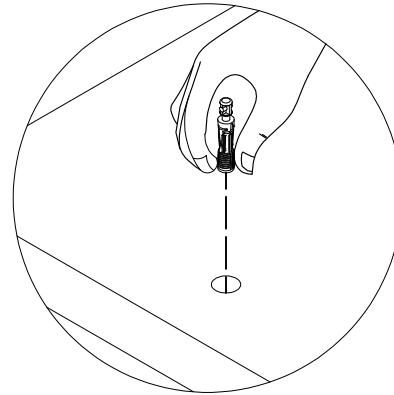
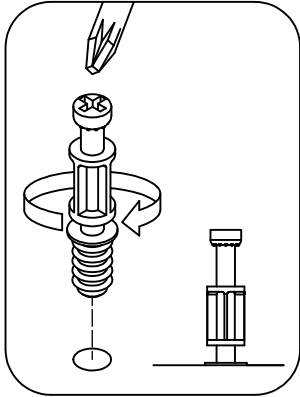
# Prepare Panel

A215648

H72988  [ 4 ]  
KD Bolt

H126758  [ 2 ]  
Mounting Plate

H171556  [ 4 ]  
Quickfit TL4



Have an assembly question or need a replacement part? Just call  
**1-800-950-4782**, we are here to help.



# STEP 11

# Assemble Panels

A215648

Scan QR Code to Watch Video on:



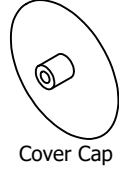
How to Tighten KD Cams

H181468US

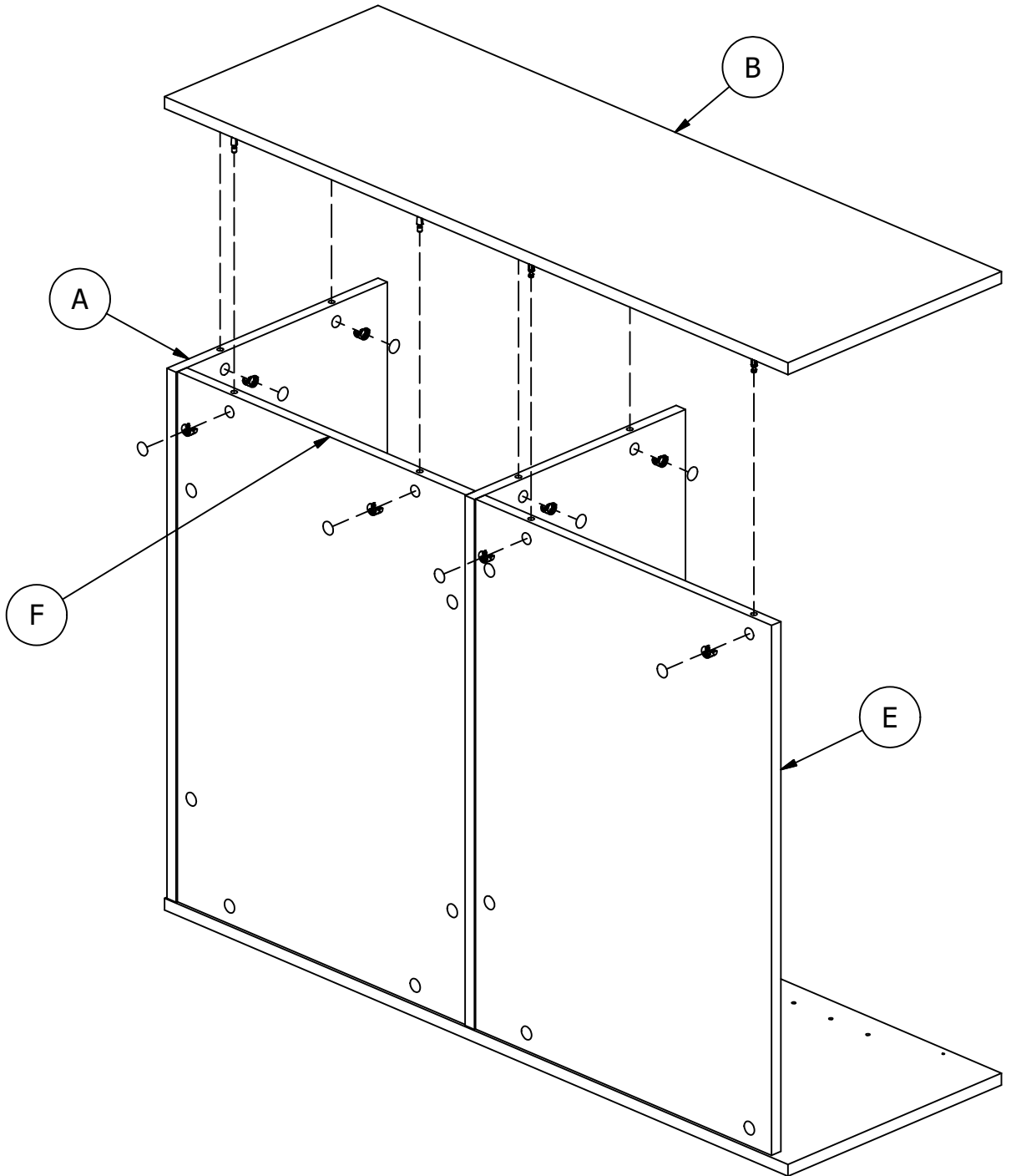
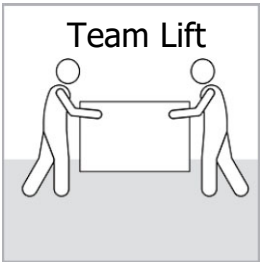
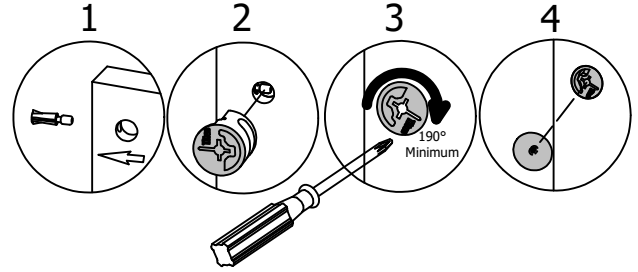


[ 8 ]

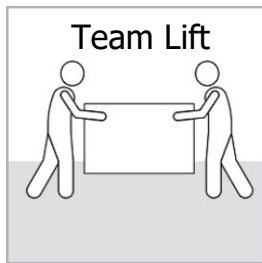
H73619



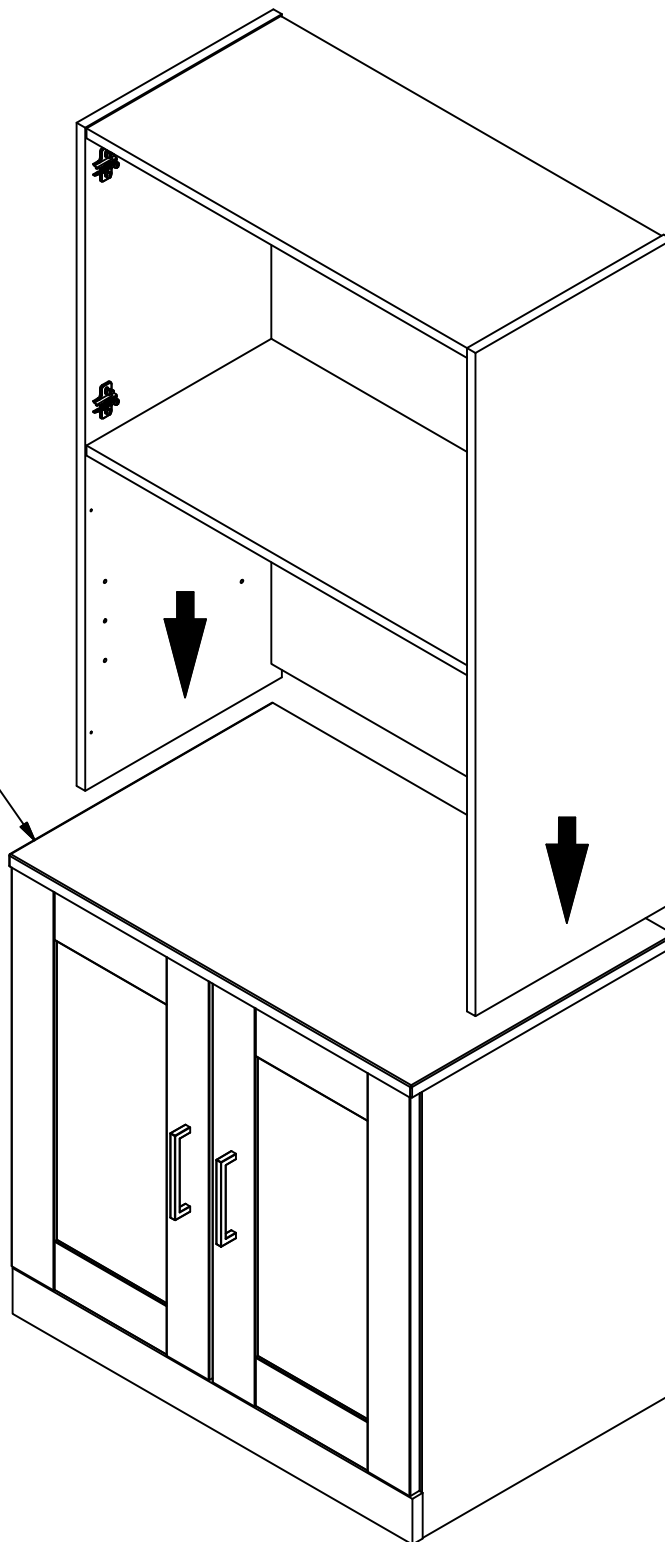
[ 8 ]



Have an assembly question or need a replacement part? Just call **1-800-950-4782**, we are here to help.



HHS130xx  
HHF130xx

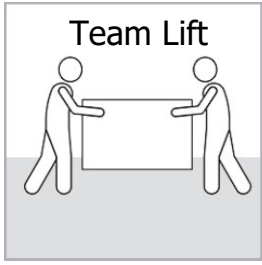


Have an assembly question or need a replacement part? Just call  
**1-800-950-4782**, we are here to help.

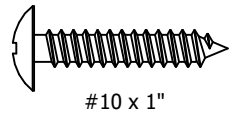
# STEP 13

# Attach Hutch

A215648

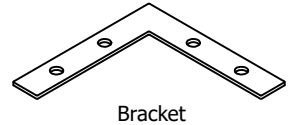


H23682



[ 8 ]

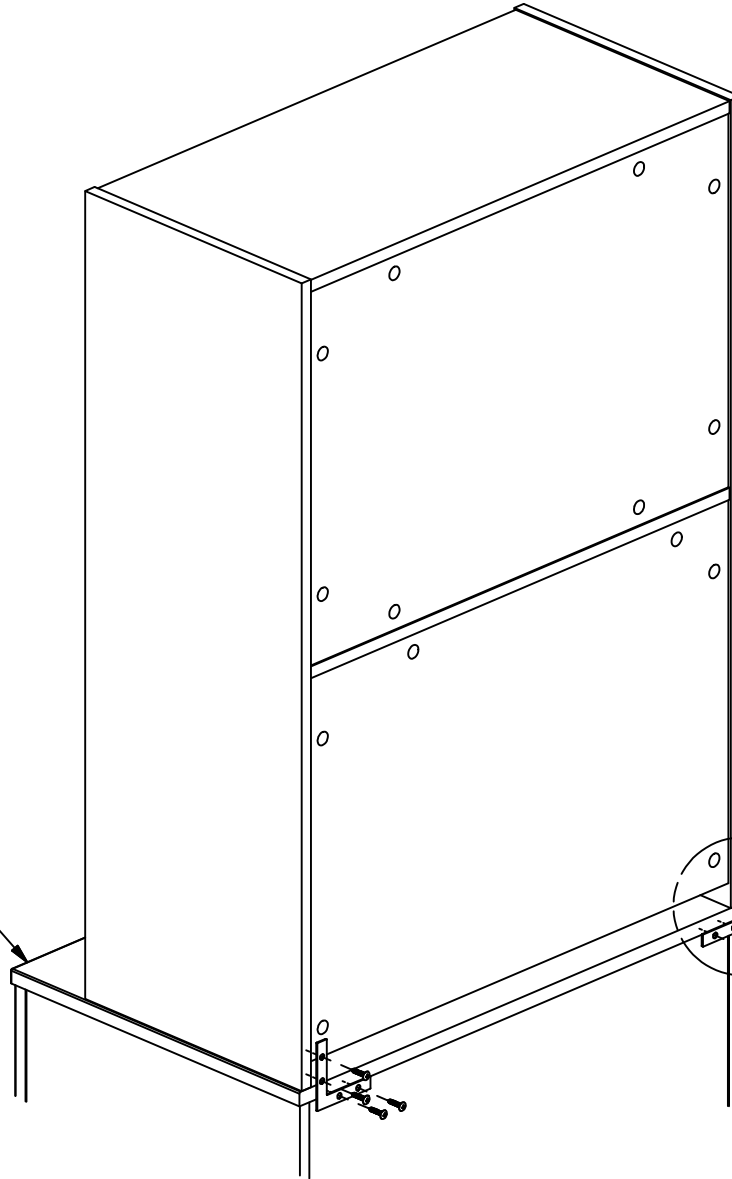
H85966



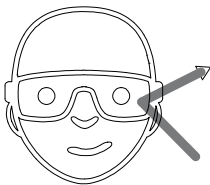
[ 2 ]

Bracket

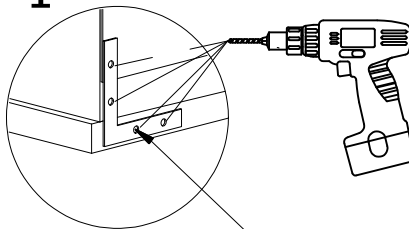
HHS130xx  
HHF130xx



1



Safety glasses  
Gafas de seguridad  
Lunettes de protection

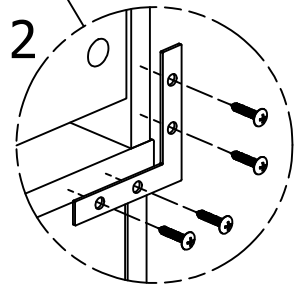


**Drill (8) 1/8" holes 3/4" deep.**

Perfore (8) agujeros de 3mm a 19mm de profundo.

Percer (8) trous de 3mm de diamètre et 19mm de profondeur.

2



Have an assembly question or need a replacement part? Just call  
**1-800-950-4782**, we are here to help.

Secure unit to the wall with a tip-over restraint.  
 Unidad de seguro a la pared con un sistema de retención de un vuelco.  
 Fixer l'unité au mur avec un dispositif de retenue renversement.

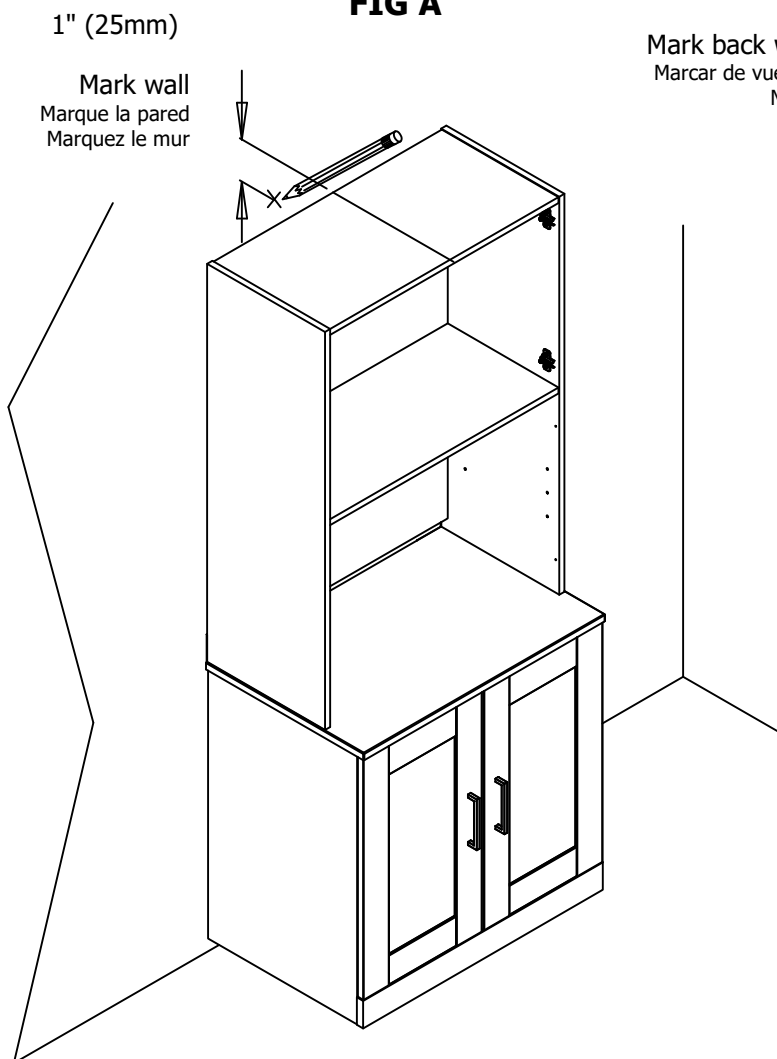
1. Place unit in desired location.
2. Locate wall stud nearest unit center. **FIG A**
3. On wall, mark center of stud location 1" below top of unit. **FIG A**
4. If a wall stud cannot be located mark hollow wall at unit center. **FIG A**
5. On back of unit, mark corresponding location 3/8" below top of unit. **FIG B**

1. Coloque la unidad en el lugar deseado.
2. Localice pie derecho de pared centro de unidad más próxima.
3. En la pared del, marque el centro de la ubicación del montante 1 "abajo la parte superior de la unidad.
4. Si un poste de la pared no se puede localizar marcar pared hueca en el centro de la unidad.
5. En el dorso de la unidad, marque la ubicación 3/8 correspondiente abajo la parte superior de la unidad.

1. Placez l'unité à l'endroit désiré.
2. Localiser centre d'unité la plus proche de la paroi Stud.
3. Sur le mur, centre de emplacement du montant 1 "ci-dessous dessus de l'appareil de la marque.
4. Si un montant de mur ne peut pas être situé marquer mur creux au centre de l'unité.
5. Le dos de l'appareil, marquer l'emplacement 3/8 correspondant ci-dessous dessus de l'appareil.

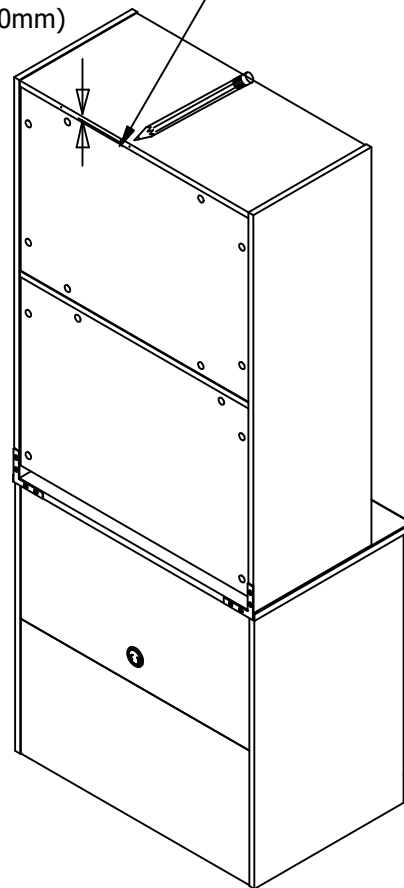
**FIG B**

**FIG A**



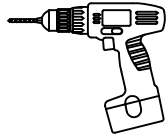
Mark back within 6" (150mm) of center.  
 Marcar de vuelta dentro de 6" (150mm) de centro  
 Mark dans les 6" (150mm) de centre.

3/8" (10mm)

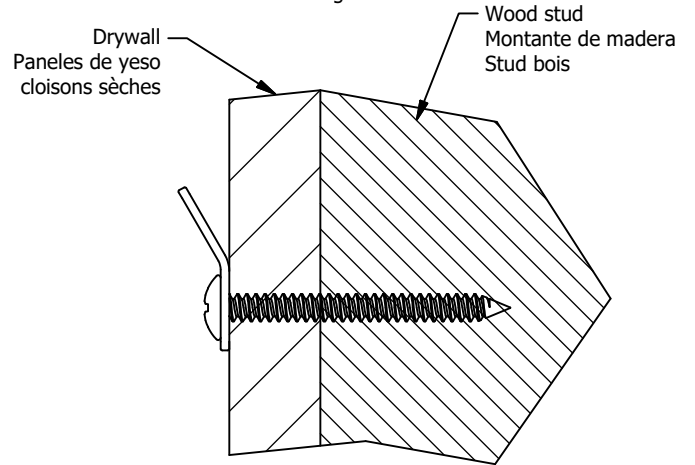
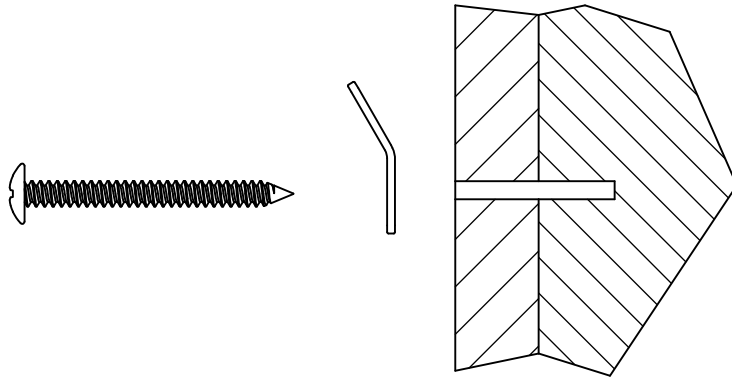
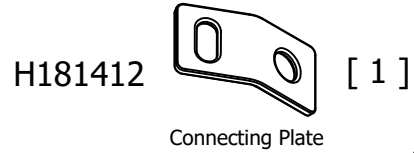
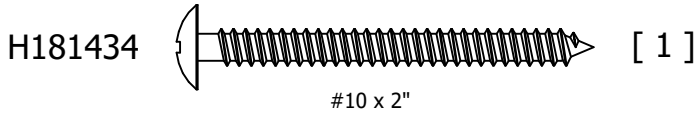


Have an assembly question or need a replacement part? Just call  
**1-800-950-4782**, we are here to help.

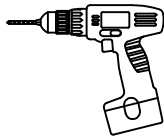
# WALL STUD ATTACHMENT



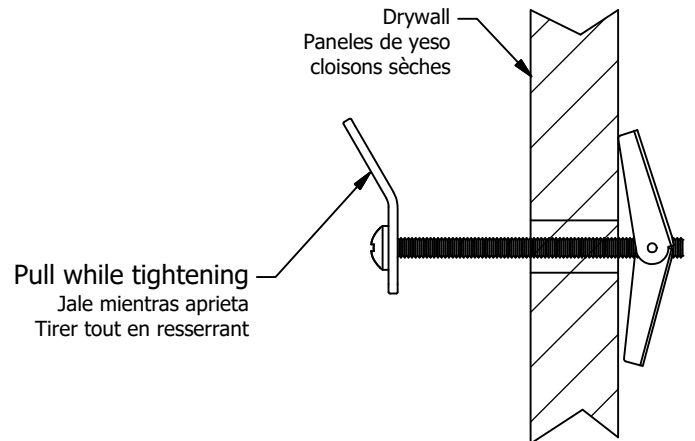
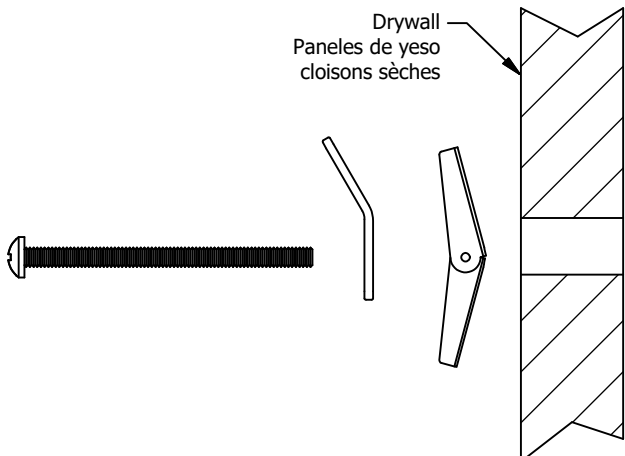
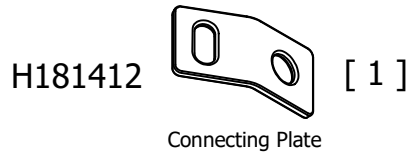
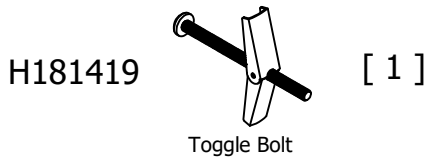
Drill 1/8" hole 2" deep at mark on wall.  
 Taladro 1/8 "agujero 2" de profundidad en la marca en la pared.  
 Percer 1/8 "trou de 2" de profondeur à la marque sur le mur.



# HOLLOW WALL ATTACHMENT

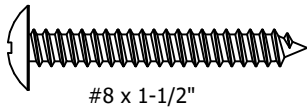


Drill 1/2" hole 1" deep at mark on wall.  
 Taladro 1/2 "agujero 1" de profundidad en la marca en la pared.  
 Percer 1/2 "trou de 1" de profondeur à la marque sur le mur.



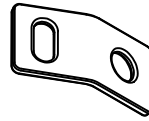
Have an assembly question or need a replacement part? Just call  
**1-800-950-4782**, we are here to help.

H107572



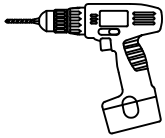
[ 1 ]

H181412



[ 1 ]

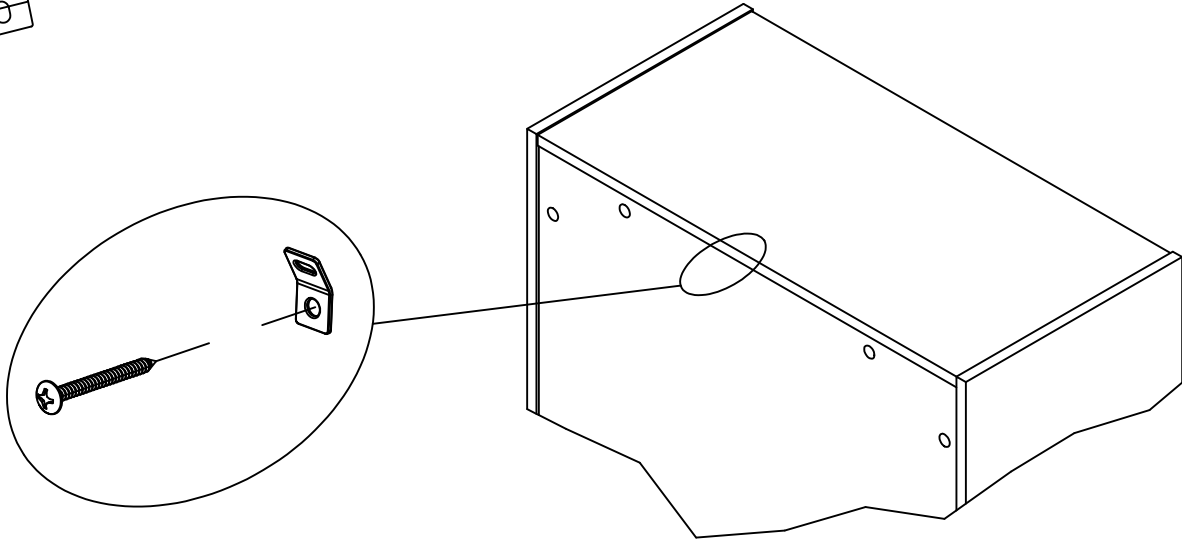
Connecting Plate



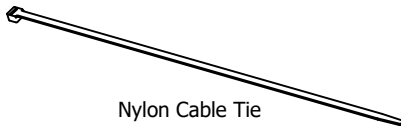
Drill 1/8" hole 1" deep at mark on unit.

Taladro 1/8 "agujero de 1" de profundidad en la marca de la unidad.

Perçer 1/8 "trou 1" de profondeur à la marque sur l'unité.

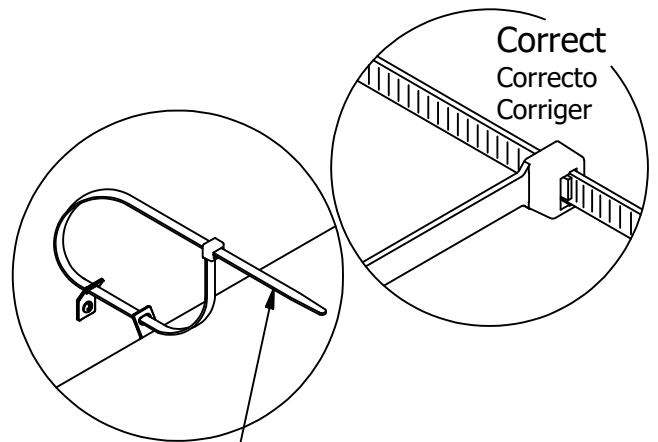
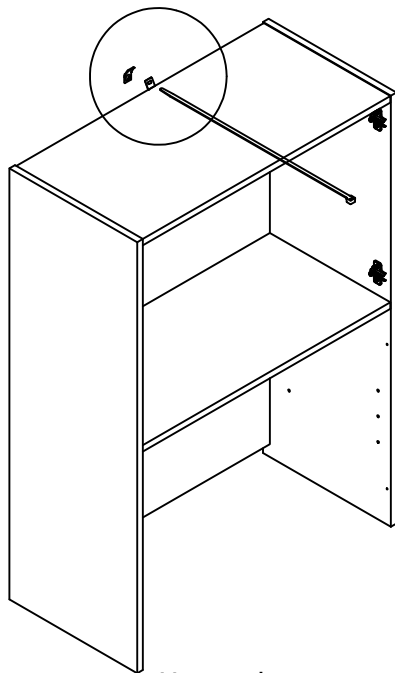


H181411



[ 1 ]

Nylon Cable Tie



Correct  
Correcto  
Corriger

Pull to verify lock  
Tire para verificar cerradura  
Tirez pour vérifier serrure

Use replacement cable tie with minimum breaking strength of 120lbs.

Utilice reemplazo empate Cable con resistencia a la rotura mínima de 120 libras.

Utilisez remplacement Attache de câble avec une force de rupture minimale de 120 lbs.

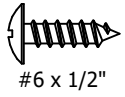
Have an assembly question or need a replacement part? Just call  
**1-800-950-4782**, we are here to help.

# STEP 17

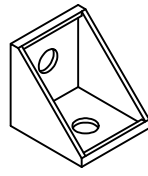
## Prepare Panels

A215648

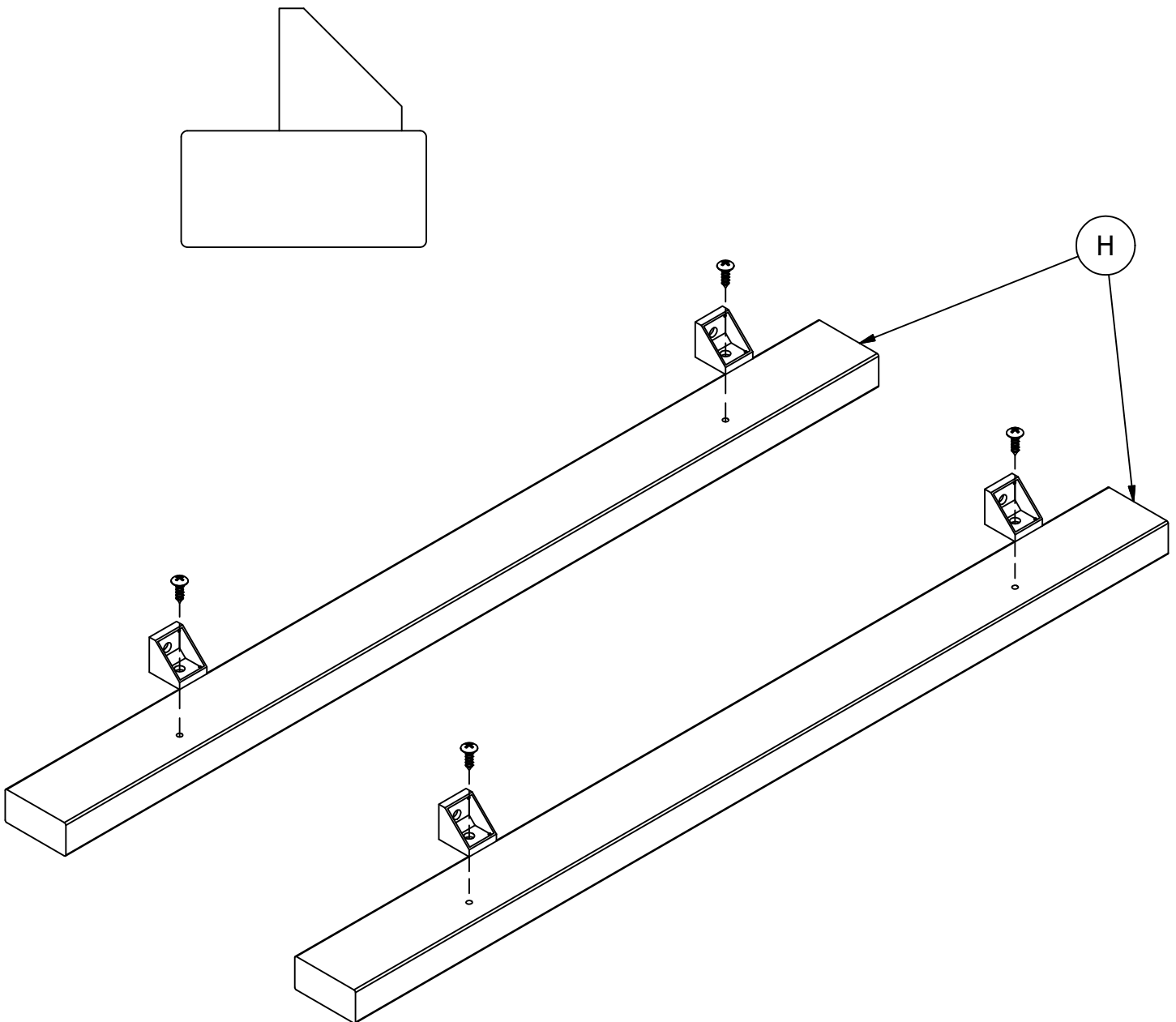
H48545  
(Silver) #6 x 1/2" [ 4 ]



H215451 [ 4 ]

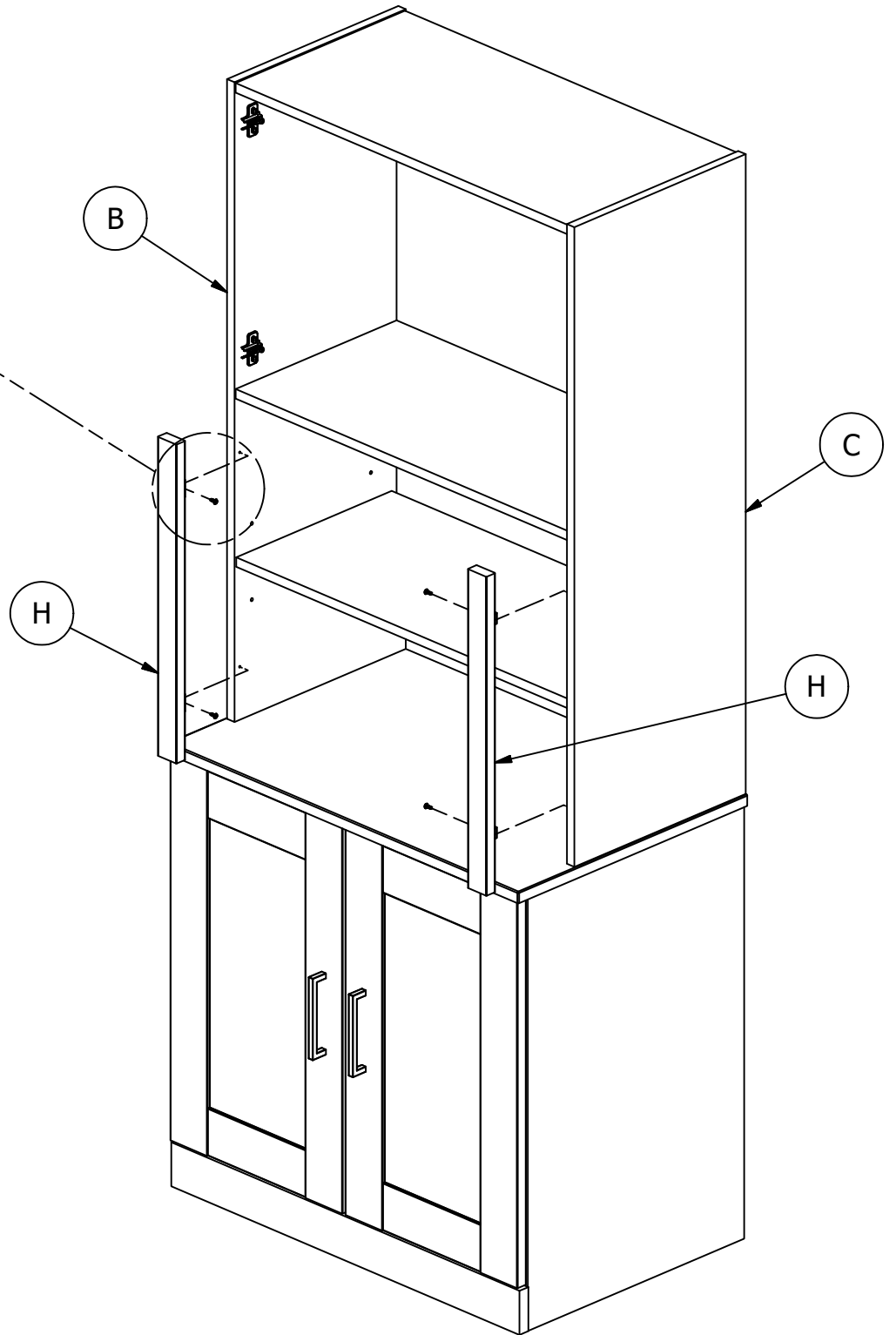
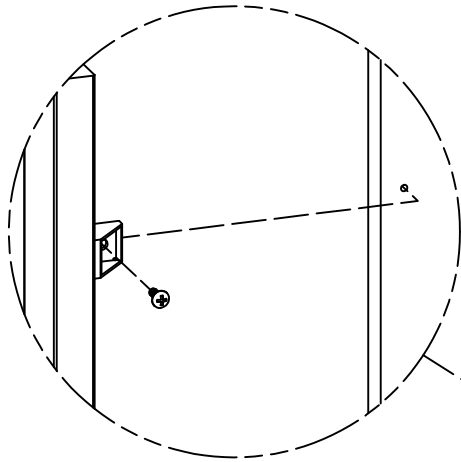
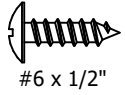


Angle Bracket



Have an assembly question or need a replacement part? Just call  
**1-800-950-4782**, we are here to help.

H48545 [ 4 ]  
(Silver) #6 x 1/2"



Have an assembly question or need a replacement part? Just call **1-800-950-4782**, we are here to help.

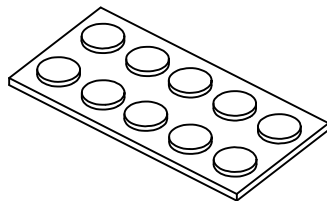


Scan QR Code to Watch Video on:

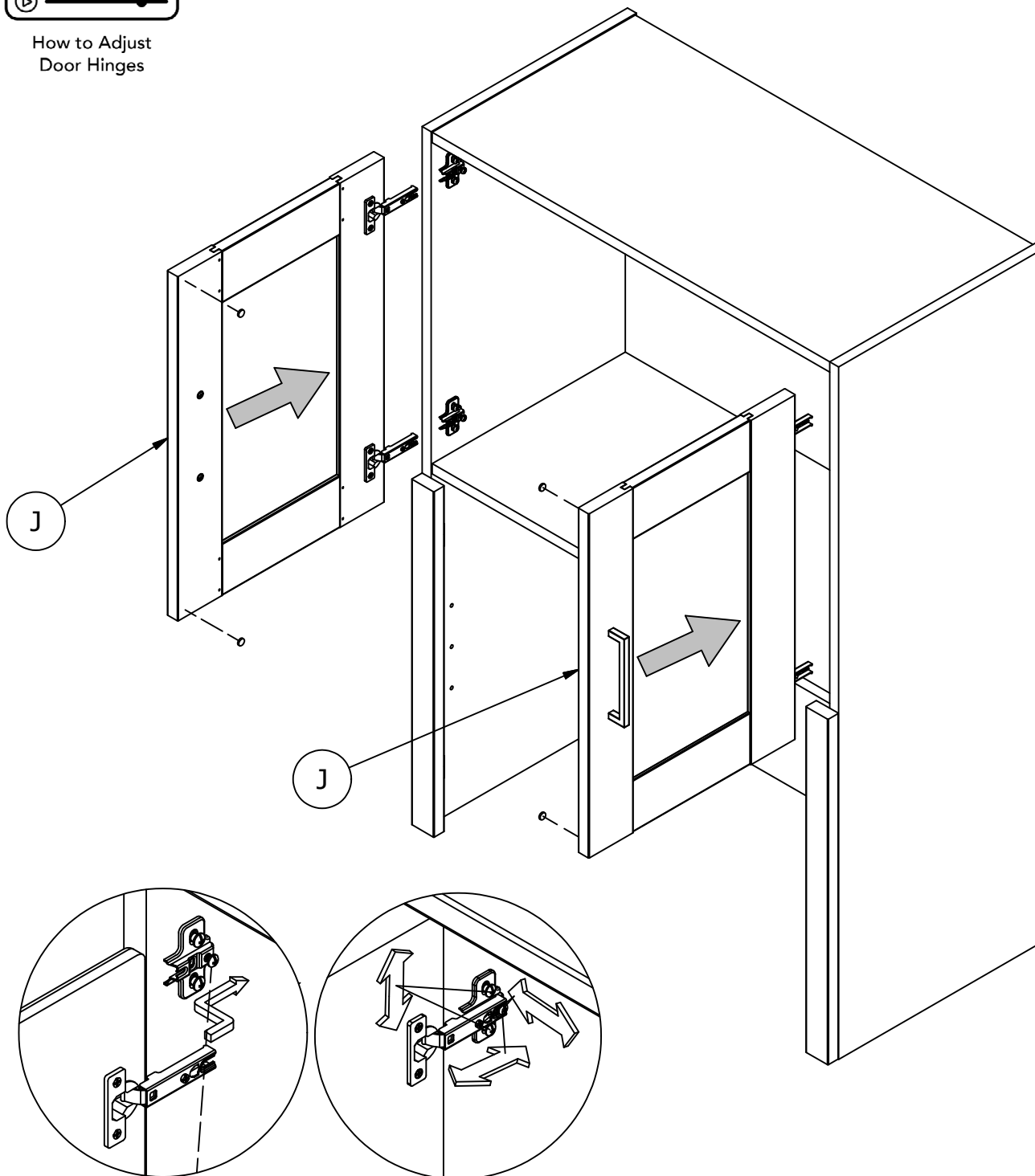


How to Adjust Door Hinges

H215406



Bumper (10) per pack

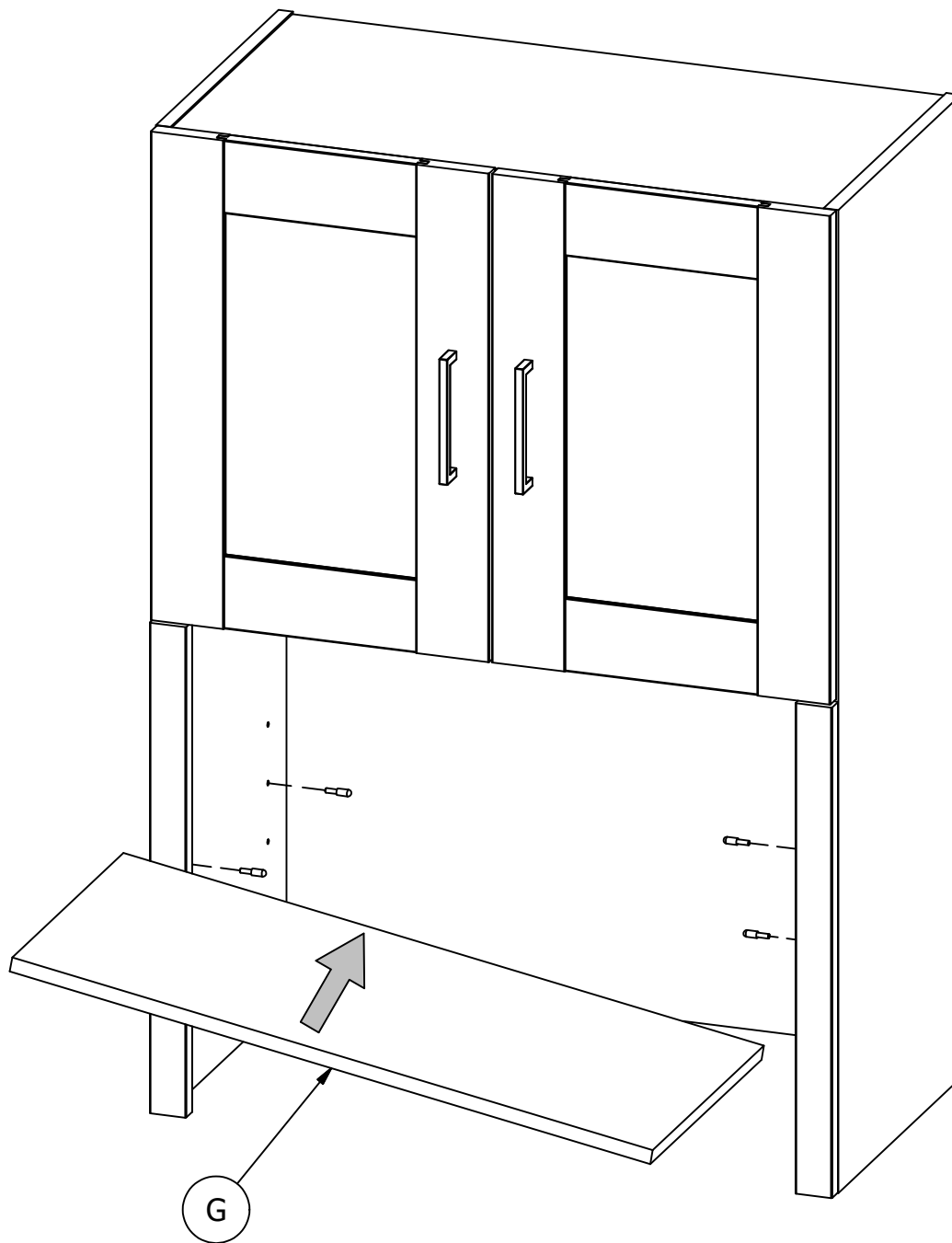
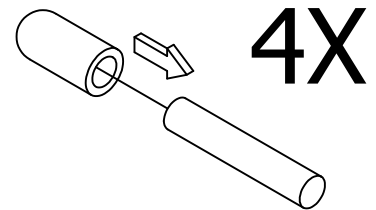
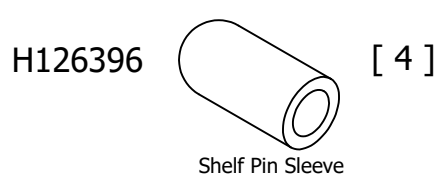
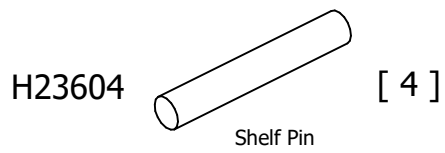


Have an assembly question or need a replacement part? Just call **1-800-950-4782**, we are here to help.

# STEP 20

# Insert Shelf

A215648



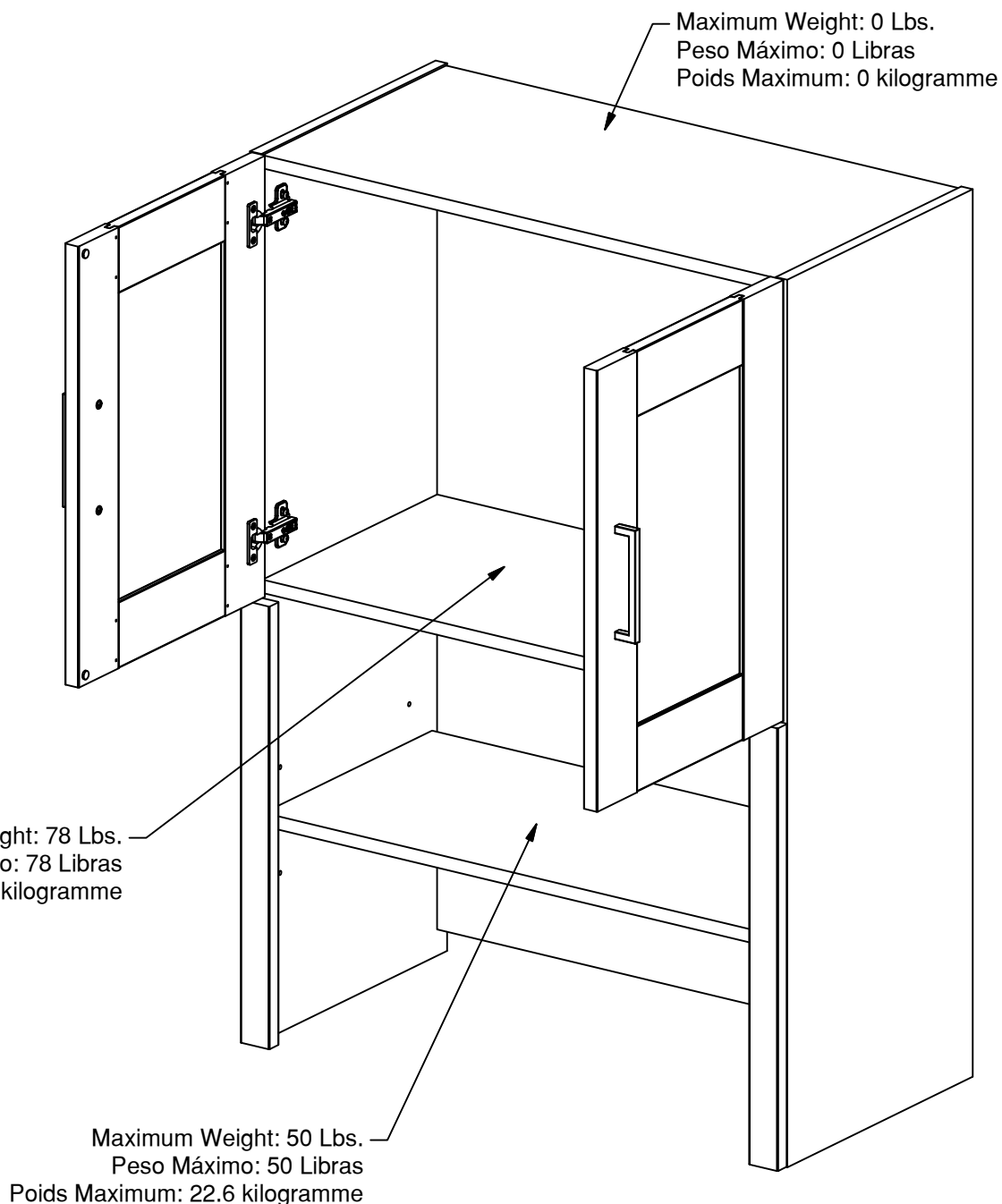
Have an assembly question or need a replacement part? Just call **1-800-950-4782**, we are here to help.

Scan QR Code to Watch Video on:



How to Clean the Surface

Gently clean surfaces with a damp sponge eraser.



Congratulations! You are all done. If you have any questions or concerns, please call.

Have an assembly question or need a replacement part? Just call **1-800-950-4782**, we are here to help.

HHH130WH			
LABEL CODE	Part Number	QTY	DESCRIPTION
A	W215649	1	TOP SHELF
B	W215650	1	LEFT SIDE PANEL
C	W215651	1	RIGHT SIDE PANEL
D	W215652	1	FIXED SHELF
E	W215653	1	LOWER BACK PANEL
F	W215654	1	BACK PANEL
G	W215655	1	ADJUSTABLE SHELF
H	W215656	2	SIDE PANEL RAIL
J	S215657	2	DOOR

H73619



Cover Cap

[ 22 ]