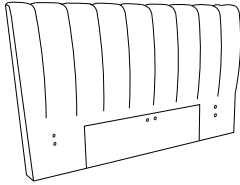


# SAVAGE UPHOLSTERED BED FULL/QUEEN ASSEMBLY INSTRUCTIONS



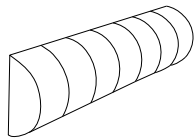
## BOX#1

A. HEADBOARD PANEL 1 PC



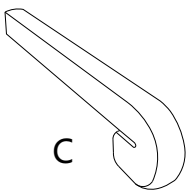
## BOX#2

B. FOOTBOARD 1 PC

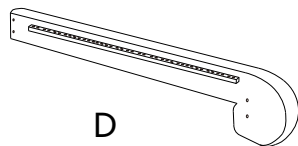


## BOX#3

- C. LEFT SIDE RAIL 1 PC
- D. RIGHT SIDE RAIL 1 PC
- E. SLAT 26 PCS
- F. CENTER SLAT SUPPORT 1 PC
- G. SIDE RAIL SLAT CLIP 26 PCS
- H. CENTER SUPPORT SLAT CLIP 13 PCS
- I. SLAT SUPPORT LEG 2 PCS
- J. SIDE RAIL BRACKET 4 PCS



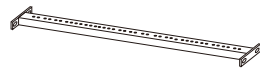
C



D



E



F



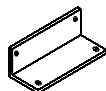
G



H



I

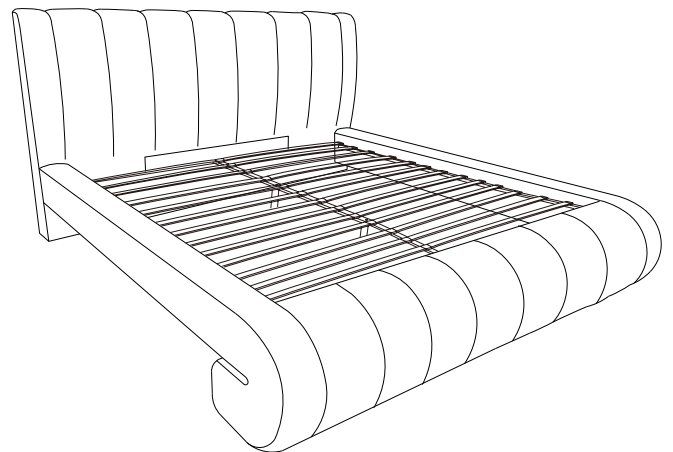


J

## HARDWARE KIT PACKED IN BOX #2

1	ALLEN BOLT(5/16"x1-1/4")		20 PCS
2	ALLEN BOLT(5/16"x2-1/2")		2 PCS
3	FLAT WASHER(3/4")		22 PCS
4	LOCK WASHER(5/16")		22 PCS
5	ALLEN KEY(5/16")		1 PC

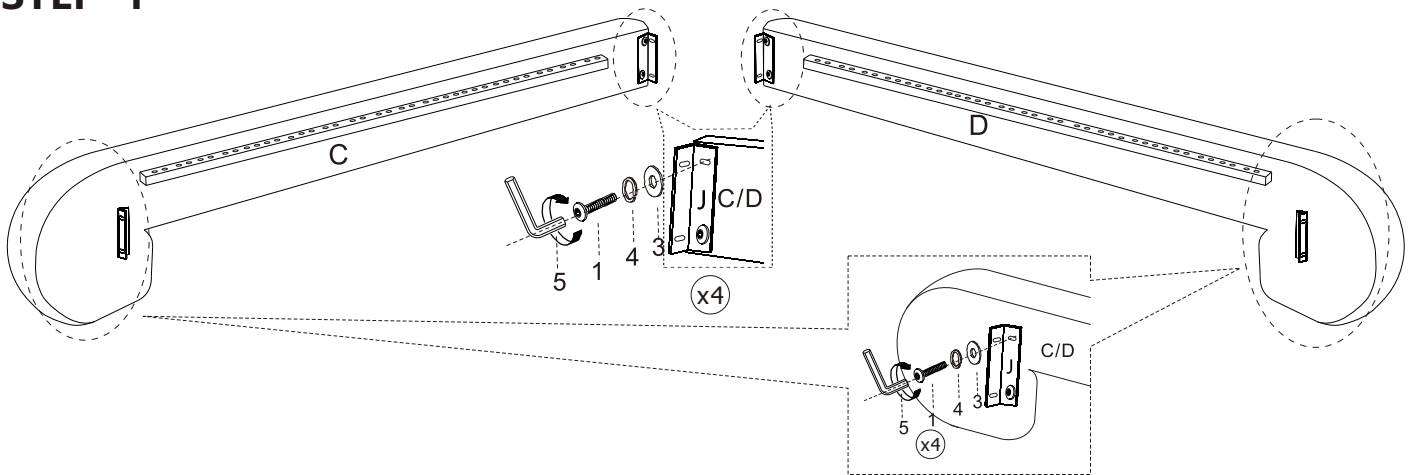
## FULLY ASSEMBLED



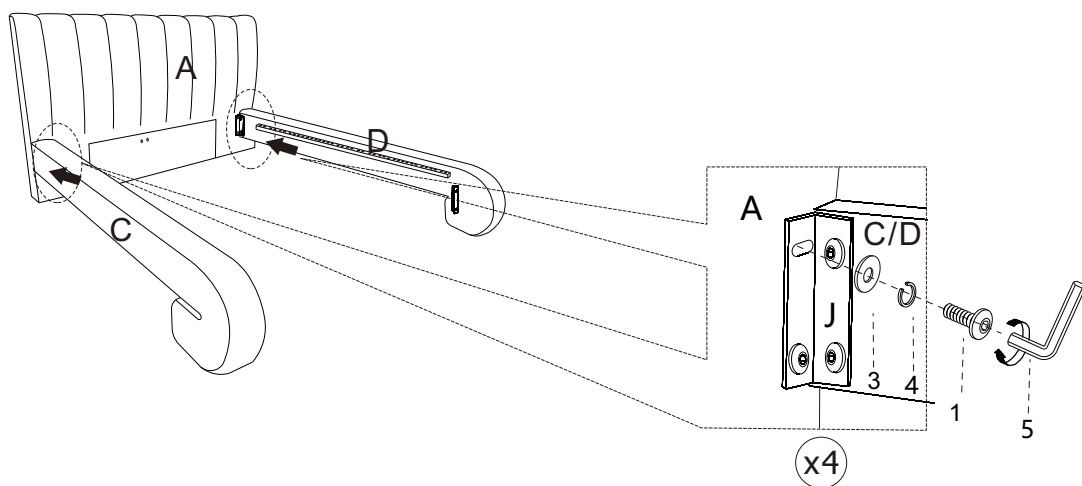
# SAVAGE UPHOLSTERED BED FULL/QUEEN ASSEMBLY INSTRUCTIONS



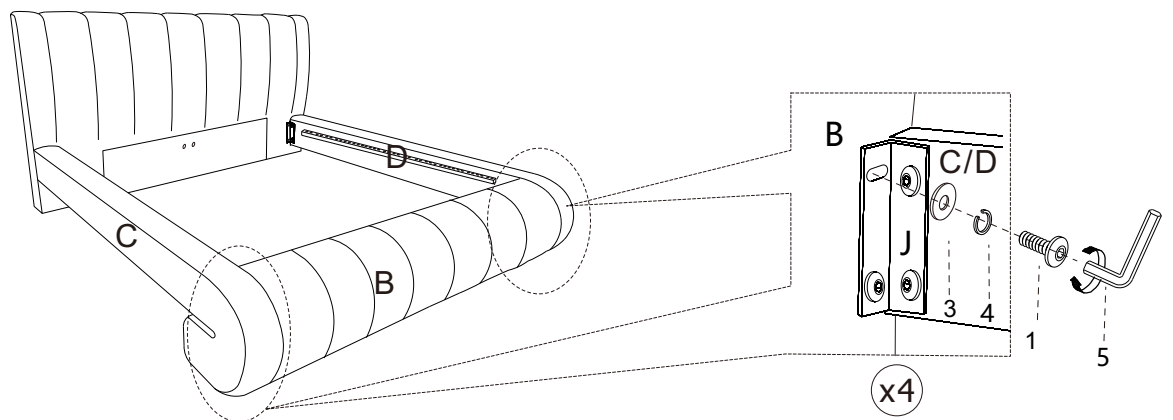
## STEP 1



## STEP 2



## STEP 3



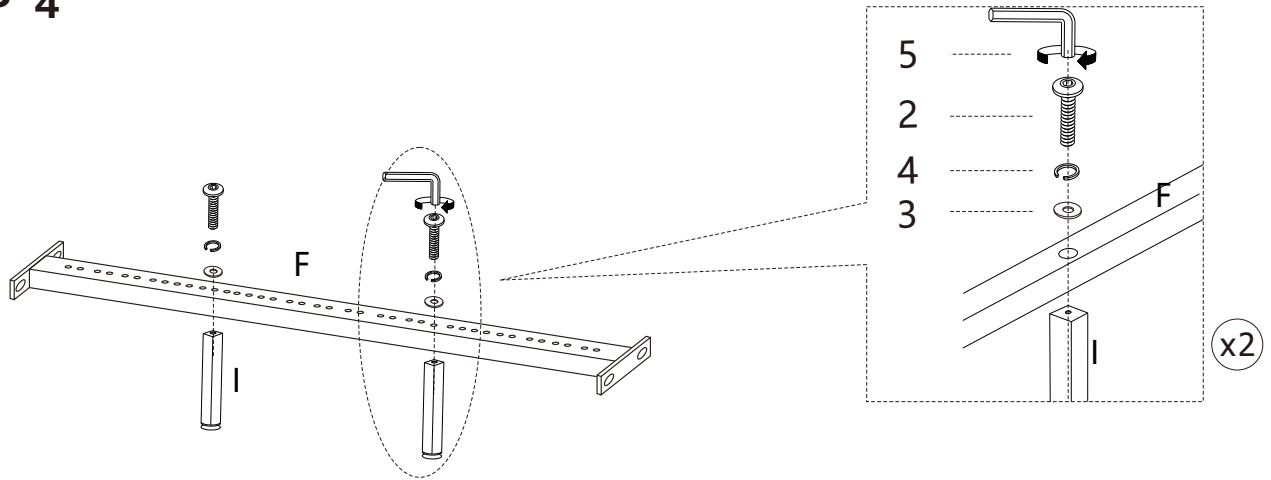
### STOP

- IF USING BED WITH AN ADJUSTABLE MATTRESS BASE, SKIP STEPS 4, 5, 6, & 7 AND REFERENCE APPENDIX A: ADJUSTABLE MATTRESS BASE ASSEMBLY SUPPLEMENT. IF USING BED FRAME WITH STANDARD BOX SPRING OR FOUNDATION, CONTINUE TO STEP 4.

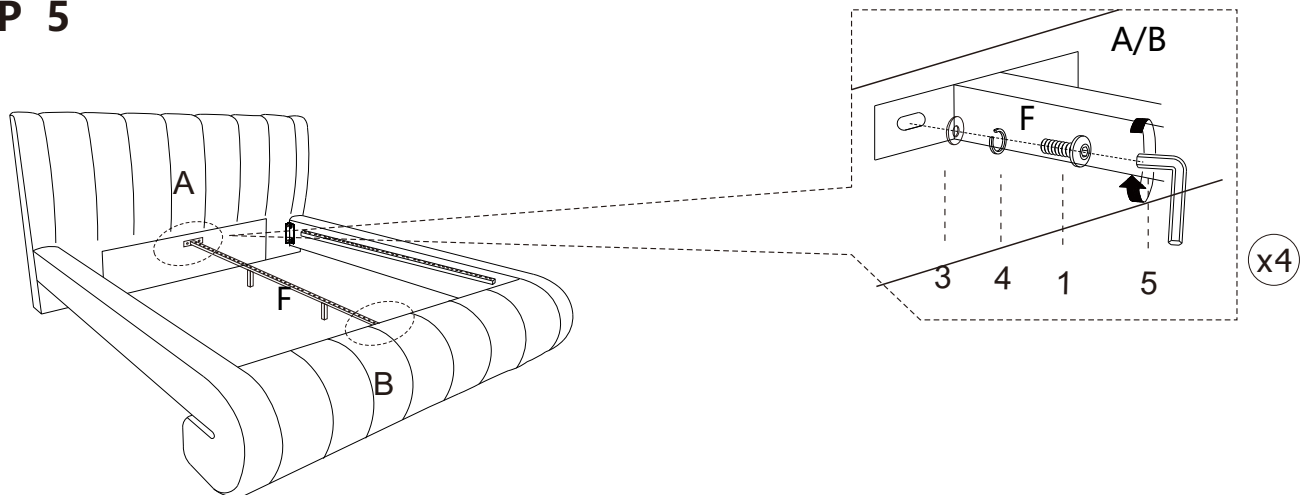
# SAVAGE UPHOLSTERED BED FULL/QUEEN ASSEMBLY INSTRUCTIONS



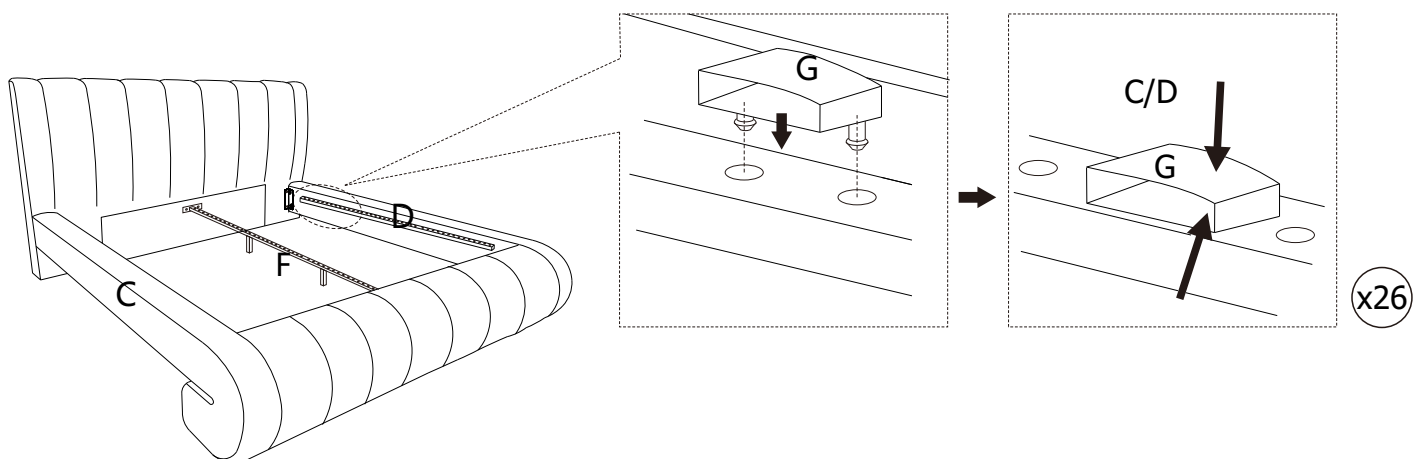
## STEP 4



## STEP 5



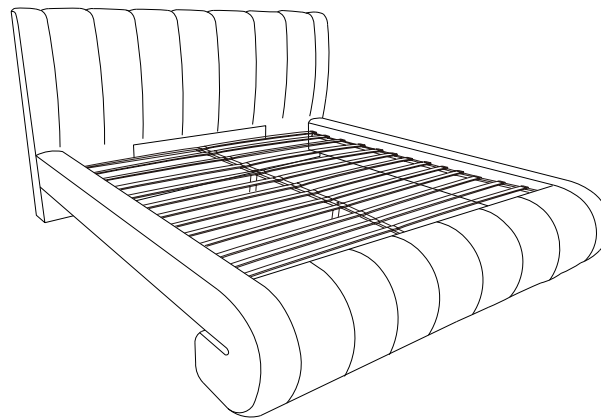
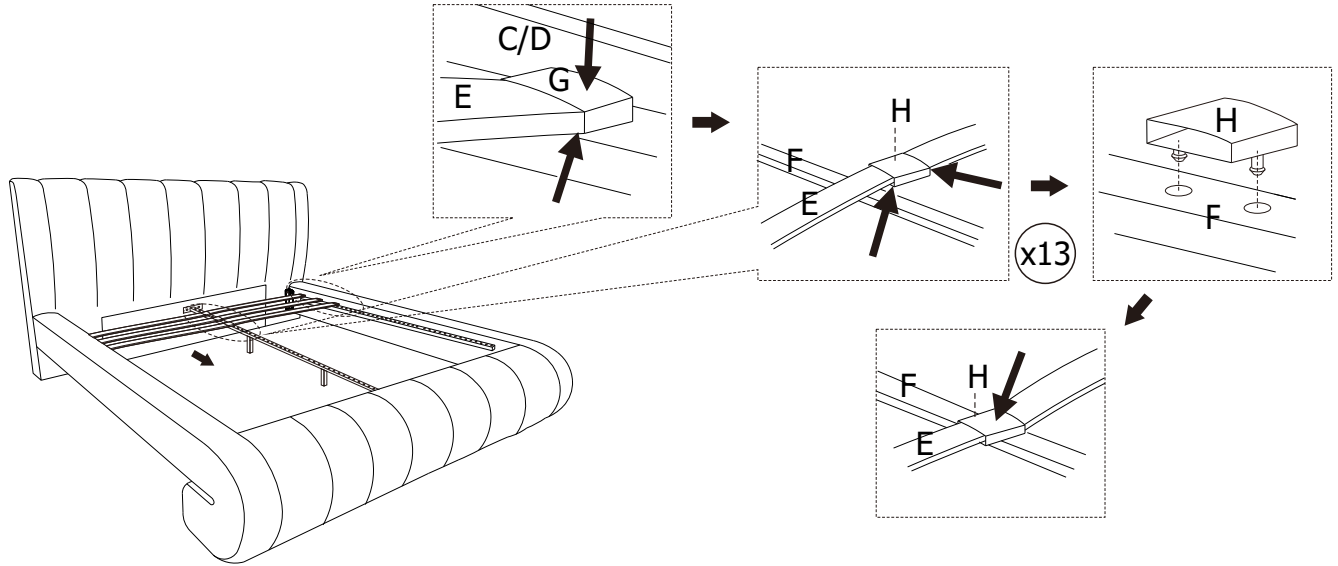
## STEP 6: STARTING FROM HEADBOARD



# SAVAGE UPHOLSTERED BED FULL/QUEEN ASSEMBLY INSTRUCTIONS



## STEP 7: STARTING FROM HEADBOARD



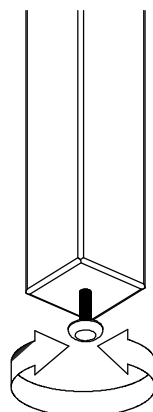
**ASSEMBLY COMPLETE.**

### INSTRUCTIONS FOR ADJUSTING LEVELERS:

POSITION THE BED IN YOUR ROOM.  
LOCATE LEVELERS UNDER EACH  
SUPPORT LEG ( I ).

TURN COUNTER-CLOCKWISE TO  
EXTEND, CLOCKWISE TO RETRACT.

ADJUST LEVELERS UNTIL EACH LEG  
SUPPORT IS APPLYING EQUAL UPWARD  
PRESSURE ON THE CENTER SLAT.



### MAINTENANCE INSTRUCTIONS:

- PERIODICALLY CHECK ALL FITTINGS AND TIGHTEN IF NECESSARY, AS THEY CAN LOOSEN OVER TIME.
- ALWAYS REMOVE BOX SPRING AND MATTRESS BEFORE MOVING THE BED.
- LIFT THE BED WHEN MOVING IT. DRAGGING THE BED CAN DAMAGE THE CENTER SUPPORT.
- READJUST LEVELERS AFTER MOVING THE BED.

# SAVAGE UPHOLSTERED BED FULL/QUEEN ASSEMBLY INSTRUCTIONS



## APPENDIX A:ADJUSTABLE MATTRESS BASE ASSEMBLY SUPPLEMENT

AN ADJUSTABLE MATTRESS BASE IS A FREESTANDING MATTRESS SUPPORT THAT SITS WITHIN THE PERIMETER OF THE BED FRAME.

IF USING THIS BED FRAME WITH A STANDARD BOX SPRING OR FOUNDATION THESE INSTRUCTIONS DO NOT APPLY.

PRE-ASSEMBLED SIDE RAIL CLEATS OBSTRUCT ADJUSTABLE BASE INSTALLATION AND OPERATION. FOLLOW THESE INSTRUCTIONS TO REMOVE THEM.

### **WARNING!**

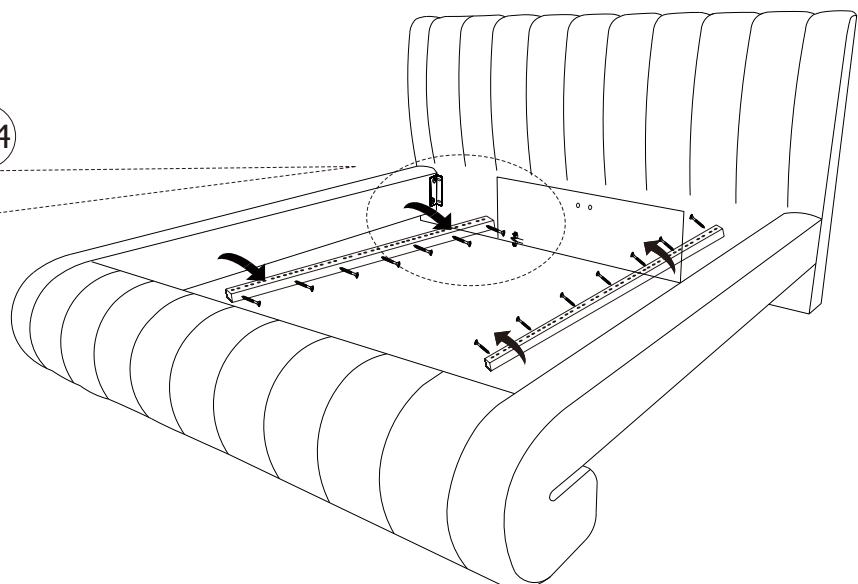
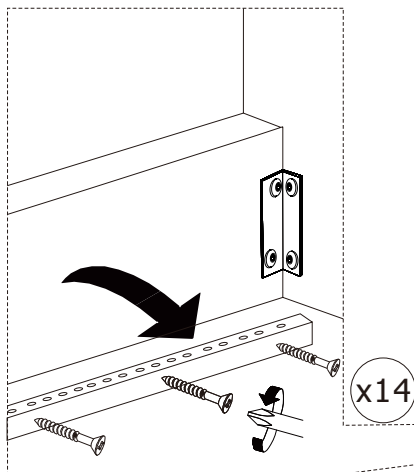
SIDE RAIL CLEATS ARE HELD IN PLACE USING PHILLIPS HEAD SCREWS. ONCE THEY ARE REMOVED THE USER WILL NOT BE ABLE TO SAFELY RE-INSTALL THE SIDE RAIL CLEATS FOR FUTURE USE WITH A STANDARD BOX SPRING OR FOUNDATION.

### THE FOLLOWING PARTS ARE NOT REQUIRED FOR ADJUSTABLE MATTRESS BASE INSTALLATION:

E. SLAT	26 PCS
F. CENTER SLAT SUPPORT	1 PC
G. SIDE RAIL SLAT CLIP	26 PCS
H. CENTER SUPPORT SLAT CLIP	13 PCS
I. SLAT SUPPORT LEG	2 PCS

### STEP 1 :

USE A PHILLIPS HEAD SCREWDRIVER (NOT PROVIDED) TO UNSCREW THE PHILLIPS SCREWS AND REMOVE THE PRE-ASSEMBLED SIDE RAIL CLEATS.

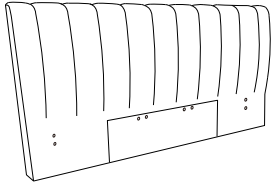


# SAVAGE UPHOLSTERED BED C.KING/E.KING ASSEMBLY INSTRUCTIONS



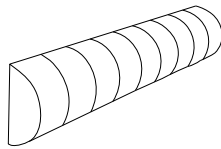
## BOX#1

A. HEADBOARD PANEL 1 PC



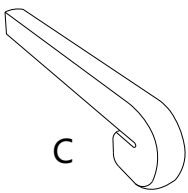
## BOX#2

B. FOOTBOARD 1 PC

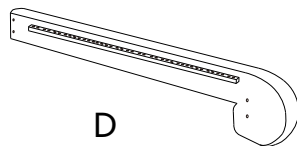


## BOX#3

- C. LEFT SIDE RAIL 1 PC
- D. RIGHT SIDE RAIL 1 PC
- E. SLAT 39 PCS
- F. CENTER SLAT SUPPORT 2 PCS
- G. SIDE RAIL SLAT CLIP 26 PCS
- H. CENTER SUPPORT SLAT CLIP 26 PCS
- I. SLAT SUPPORT LEG 4 PCS
- J. SIDE RAIL BRACKET 4 PCS



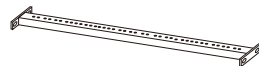
C



D



E



F



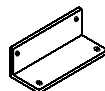
G



H



I

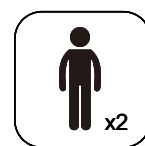
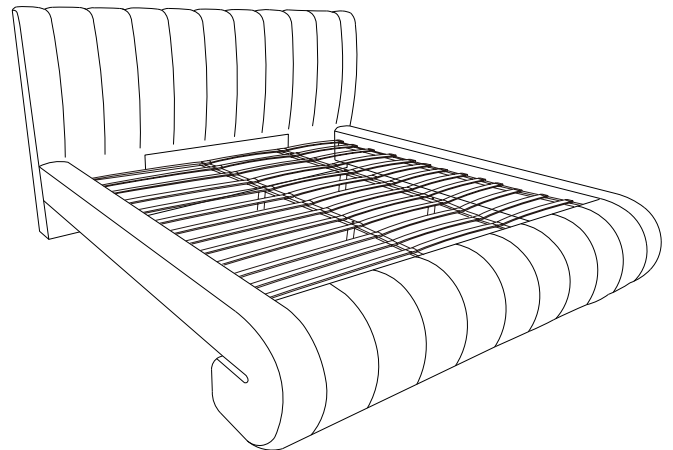


J

## HARDWARE KIT PACKED IN BOX #2

1	ALLEN BOLT(5/16"x1-1/4")		24 PCS
2	ALLEN BOLT(5/16"x2-1/2")		4 PCS
3	FLAT WASHER(3/4")		28 PCS
4	LOCK WASHER(5/16")		28 PCS
5	ALLEN KEY(5/16")		1 PC

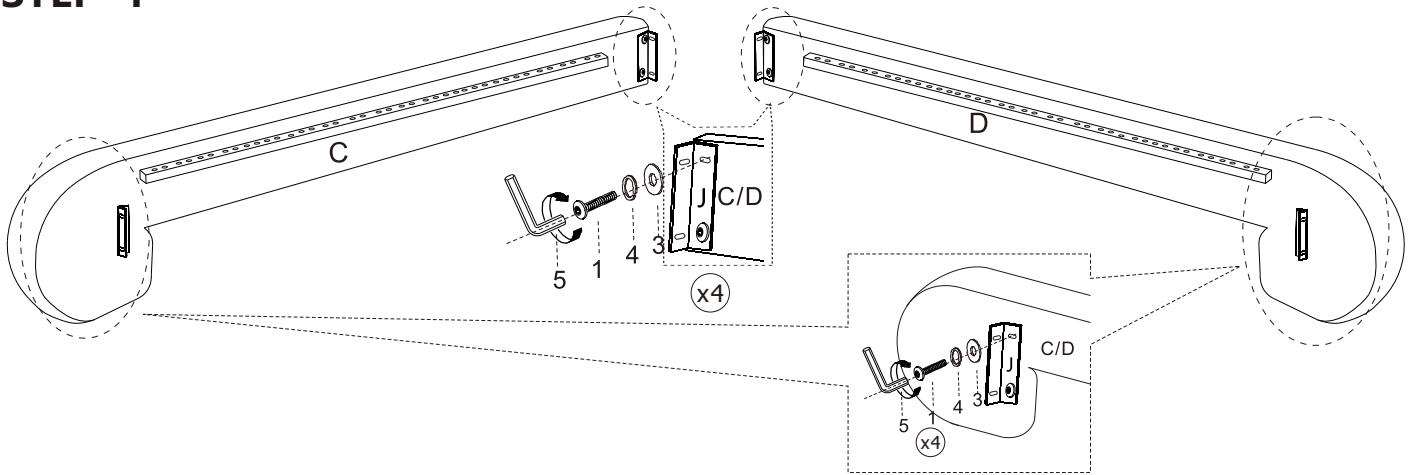
## FULLY ASSEMBLED



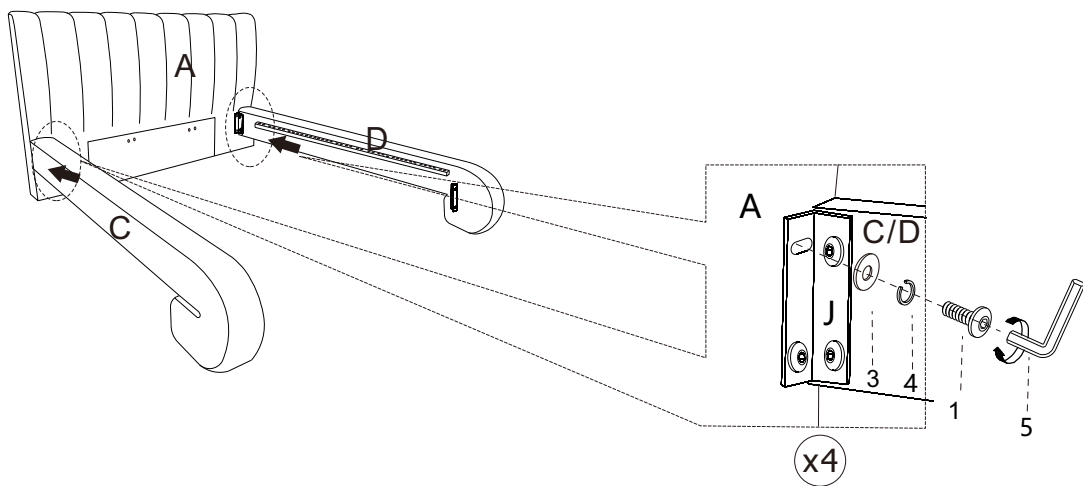
# SAVAGE UPHOLSTERED BED C.KING/E.KING ASSEMBLY INSTRUCTIONS



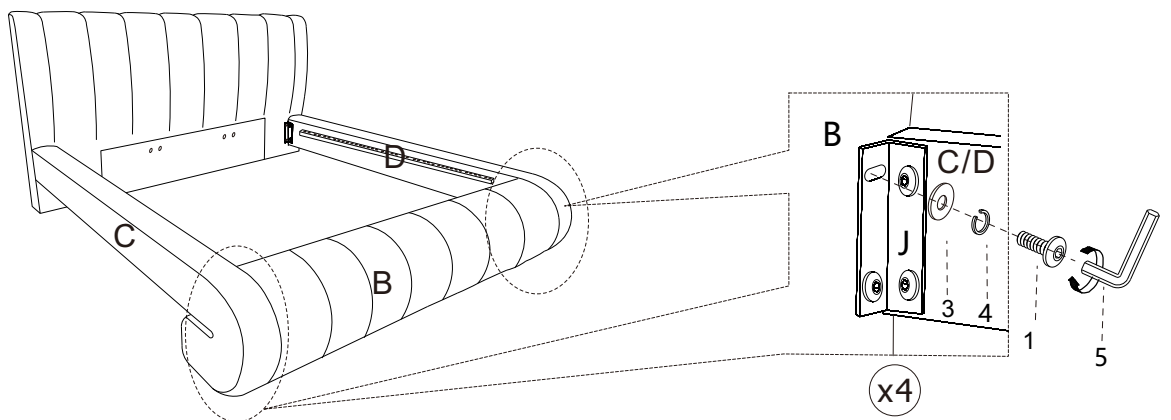
## STEP 1



## STEP 2



## STEP 3



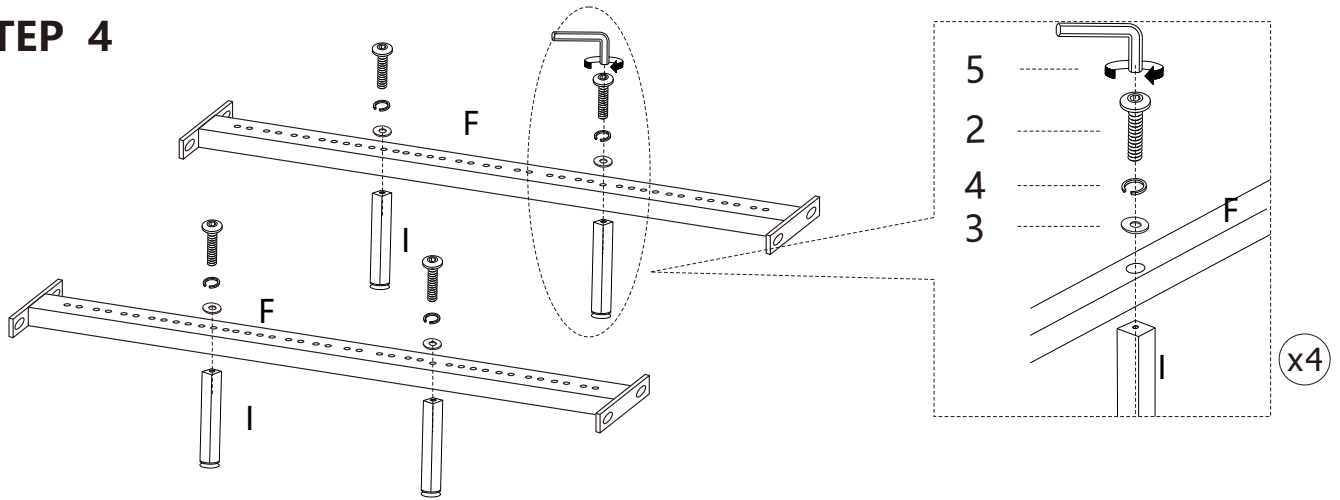
### STOP

- IF USING BED WITH AN ADJUSTABLE MATTRESS BASE, SKIP STEPS 4, 5, 6, & 7 AND REFERENCE APPENDIX A: ADJUSTABLE MATTRESS BASE ASSEMBLY SUPPLEMENT. IF USING BED FRAME WITH STANDARD BOX SPRING OR FOUNDATION, CONTINUE TO STEP 4.

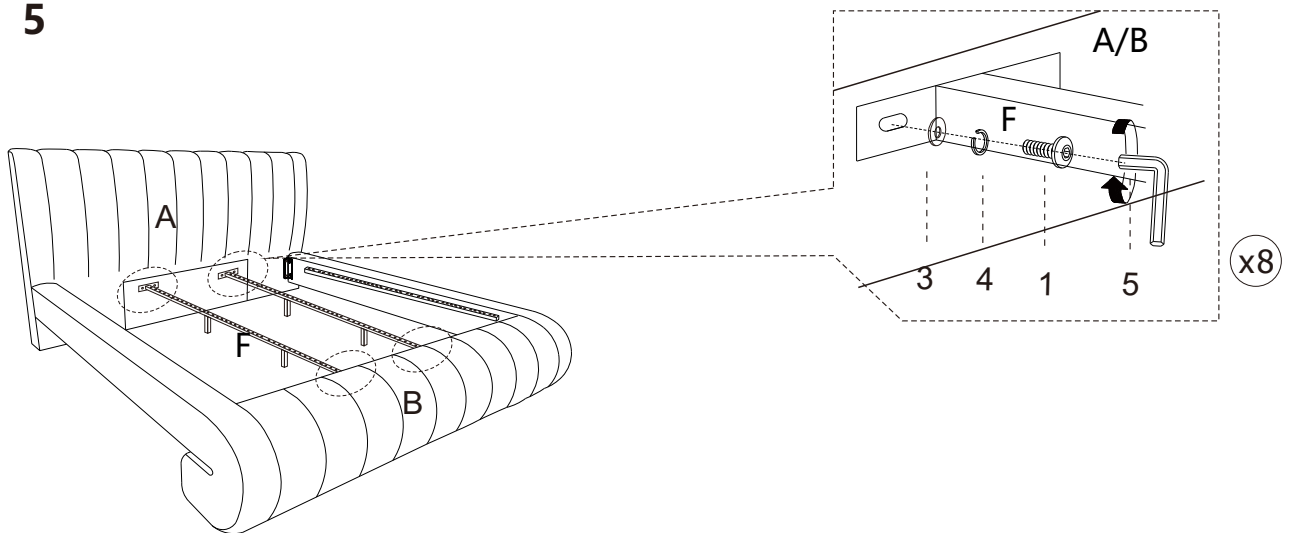
# SAVAGE UPHOLSTERED BED C.KING/E.KING ASSEMBLY INSTRUCTIONS



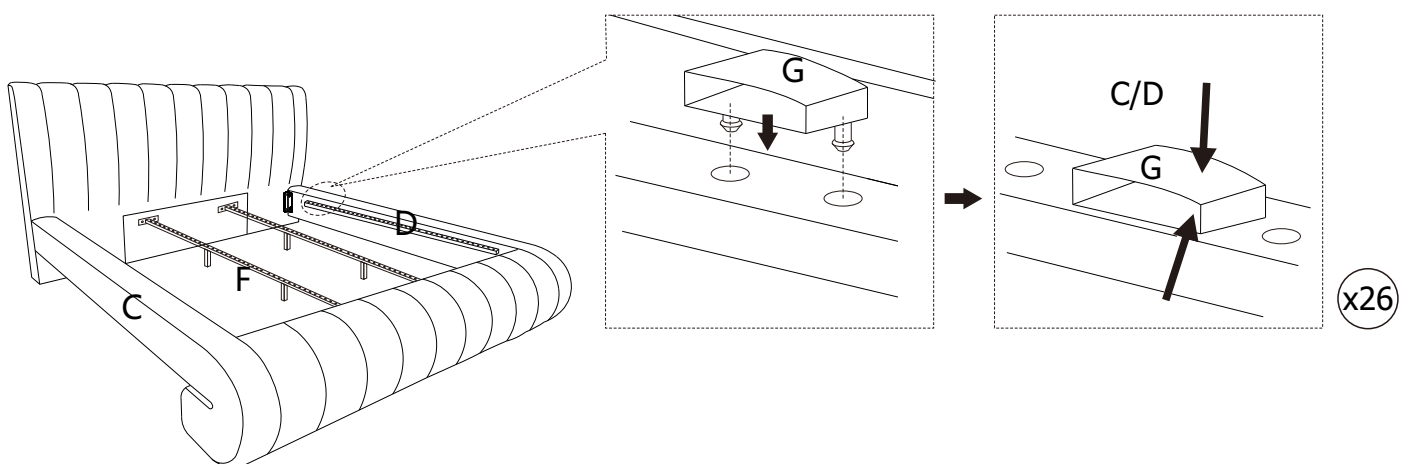
## STEP 4



## STEP 5



## STEP 6: STARTING FROM HEADBOARD

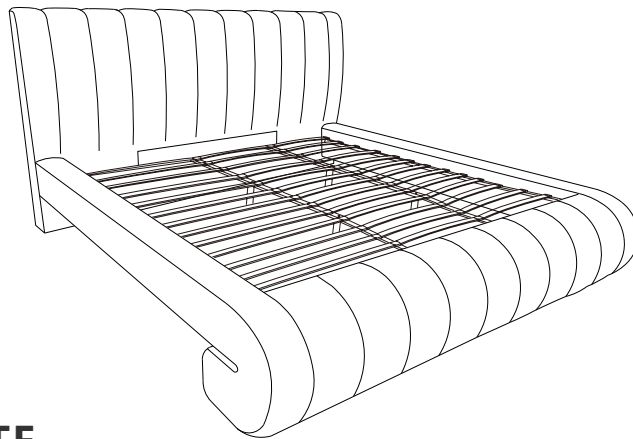
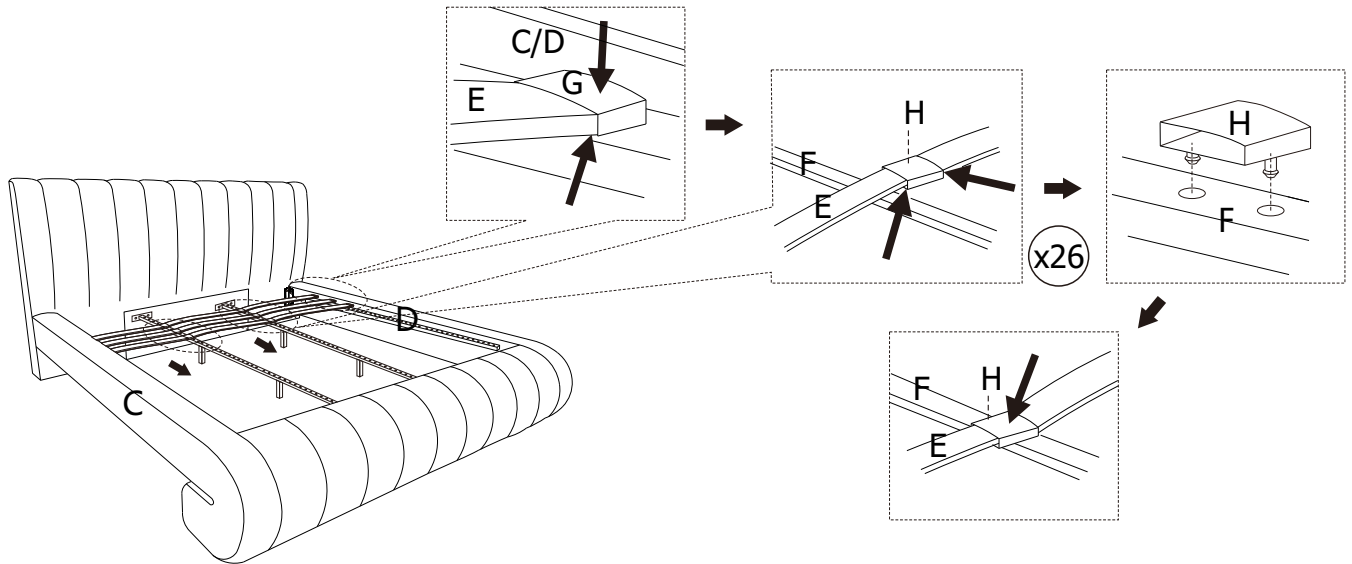




# SAVAGE UPHOLSTERED BED C.KING/E.KING ASSEMBLY INSTRUCTIONS



## STEP 7



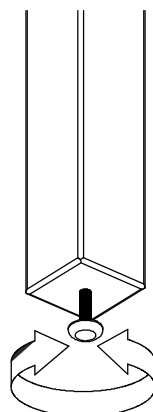
**ASSEMBLY COMPLETE.**

### INSTRUCTIONS FOR ADJUSTING LEVELERS:

POSITION THE BED IN YOUR ROOM.  
LOCATE LEVELERS UNDER EACH  
SUPPORT LEG ( I ).

TURN COUNTER-CLOCKWISE TO  
EXTEND, CLOCKWISE TO RETRACT.

ADJUST LEVELERS UNTIL EACH LEG  
SUPPORT IS APPLYING EQUAL UPWARD  
PRESSURE ON THE CENTER SLAT.



### MAINTENANCE INSTRUCTIONS:

- PERIODICALLY CHECK ALL FITTINGS AND TIGHTEN IF NECESSARY, AS THEY CAN LOOSEN OVER TIME.
- ALWAYS REMOVE BOX SPRING AND MATTRESS BEFORE MOVING THE BED.
- LIFT THE BED WHEN MOVING IT. DRAGGING THE BED CAN DAMAGE THE CENTER SUPPORT.
- READJUST LEVELERS AFTER MOVING THE BED.

# SAVAGE UPHOLSTERED BED C.KING/E.KING ASSEMBLY INSTRUCTIONS



## APPENDIX A:ADJUSTABLE MATTRESS BASE ASSEMBLY SUPPLEMENT

AN ADJUSTABLE MATTRESS BASE IS A FREESTANDING MATTRESS SUPPORT THAT SITS WITHIN THE PERIMETER OF THE BED FRAME.

IF USING THIS BED FRAME WITH A STANDARD BOX SPRING OR FOUNDATION THESE INSTRUCTIONS DO NOT APPLY.

PRE-ASSEMBLED SIDE RAIL CLEATS OBSTRUCT ADJUSTABLE BASE INSTALLATION AND OPERATION. FOLLOW THESE INSTRUCTIONS TO REMOVE THEM.

### **WARNING!**

SIDE RAIL CLEATS ARE HELD IN PLACE USING PHILLIPS HEAD SCREWS. ONCE THEY ARE REMOVED THE USER WILL NOT BE ABLE TO SAFELY RE-INSTALL THE SIDE RAIL CLEATS FOR FUTURE USE WITH A STANDARD BOX SPRING OR FOUNDATION.

### THE FOLLOWING PARTS ARE NOT REQUIRED FOR ADJUSTABLE MATTRESS BASE INSTALLATION:

E. SLAT	39 PCS
F. CENTER SLAT SUPPORT	2 PCS
G. SIDE RAIL SLAT CLIP	26 PCS
H. CENTER SUPPORT SLAT CLIP	26 PCS
I. SLAT SUPPORT LEG	4 PCS

### STEP 1 :

USE A PHILLIPS HEAD SCREWDRIVER (NOT PROVIDED) TO UNSCREW THE PHILLIPS SCREWS AND REMOVE THE PRE-ASSEMBLED SIDE RAIL CLEATS.

