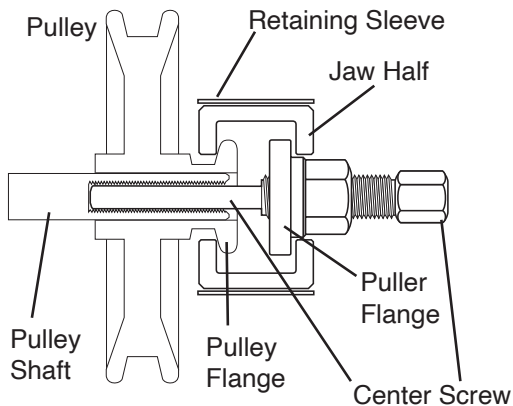


GM POWER STEERING PULLEY REMOVER / INSTALLER

Instructions for W87022 GM Power Steering Pulley Puller/Installer

To remove pulley:

1. Run Puller Flange down to end of center screw.
2. Insert tip of Center Screw into pulley shaft.
3. Put best fitting side of Jaw Halves over Pulley Flange and Puller Flange.
4. Place Retaining Sleeve over Jaw Halves.
5. Turn Center Screw to remove pulley.



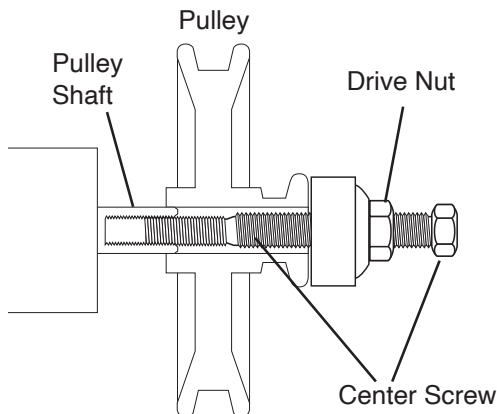
P.O. Box 88259 • Tukwila, WA 98138 • 1-800-497-0552 • Made in China • © Copyright 2023 • www.wilmarllc.com

GM POWER STEERING PULLEY REMOVER / INSTALLER

Instructions for W87022 GM Power Steering Pulley Puller/Installer

To install pulley:

1. Place Pulley over Center Screw.
2. Turn Center Screw into threads in Pulley Shaft.
3. Turn Drive Nut to press Pulley onto Shaft.



P.O. Box 88259 • Tukwila, WA 98138 • 1-800-497-0552 • Made in China • © Copyright 2023 • www.wilmarcorp.com