

**Metris S**  
**3-Hole Roman Tub Set Trim with Lever Handles**  
 Finishes : **brushed nickel** Part no. : **31438821**



**Description**

**Features**

- Flow: 5.81 GPM (22 L/Min)
- 90° ceramic valves

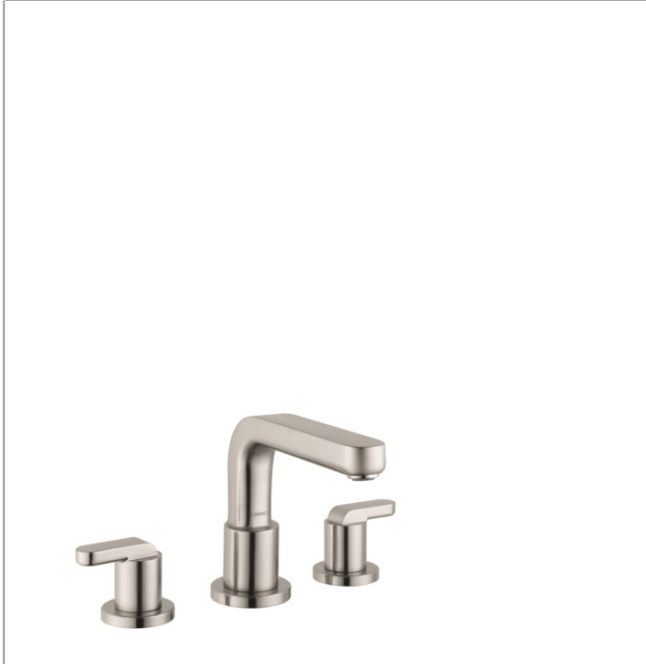
**Item details**

List Price \$ 916.00

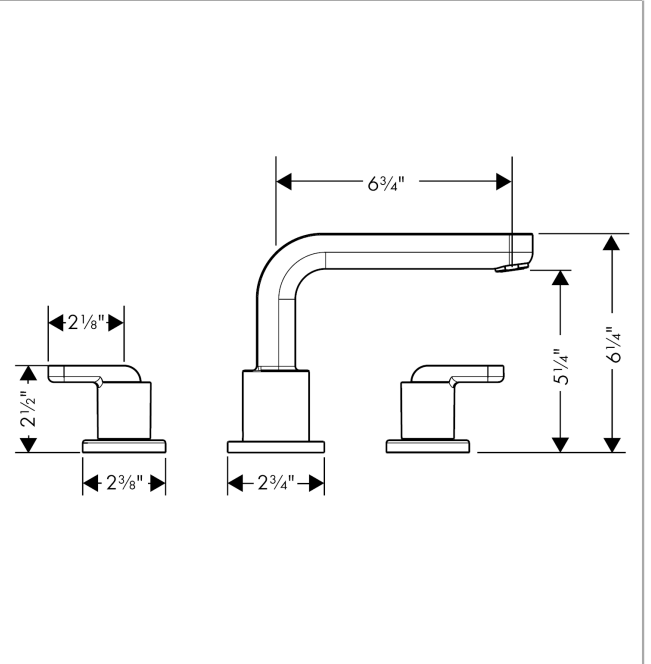
**Compliance**



**Product image**



**Scale drawing**

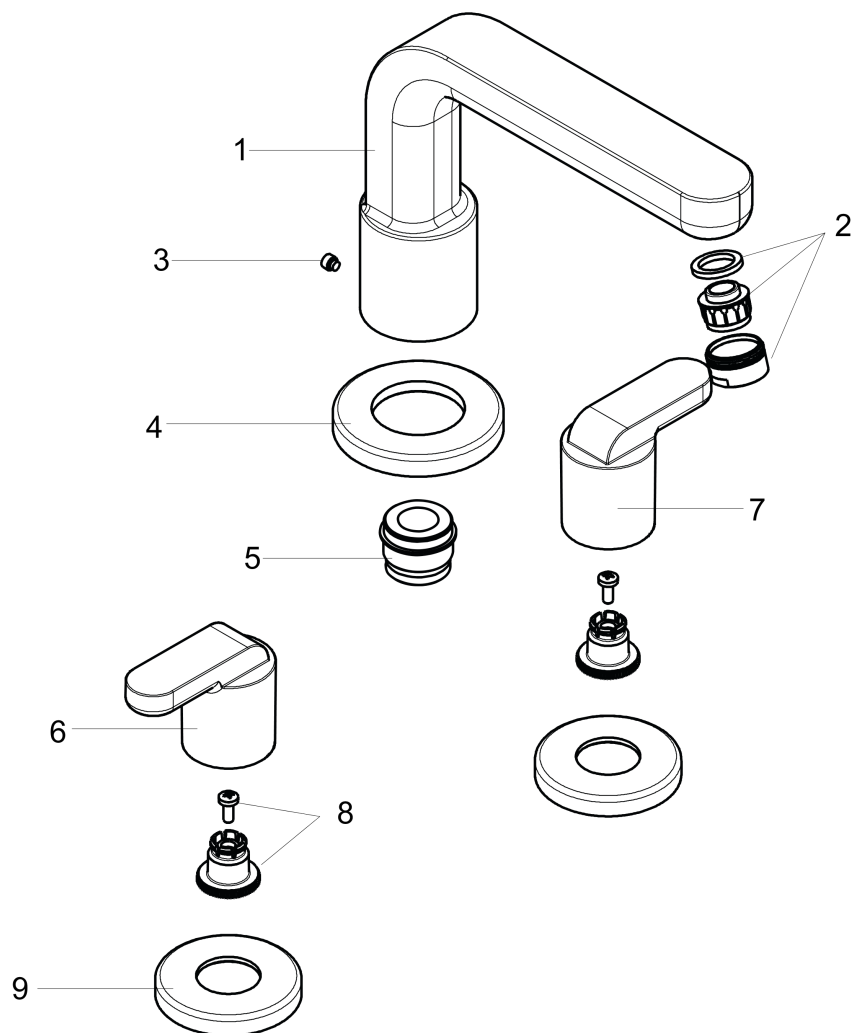


**Metris S**  
**3-Hole Roman Tub Set Trim with Lever Handles**  
 Finishes : **brushed nickel** Part no. : **31438821**



Exploded drawing

Year of production: >04/07



**Metris S**

**3-Hole Roman Tub Set Trim with Lever Handles**

Finishes : **brushed nickel** Part no. : **31438821**



**Spare parts list**

Year of production: >04/07

Pos.	Description	Part no.	Price	PU
1	spout cpl.	31095820	-	1
2	aerator M24x1 (25 l/min)	13956820	-	1
3	hollow set screw M6x6	97660000	-	1
4	escutcheon Ø 70 mm	97779820	-	1
5	adapter for spout	88512000	-	1
6	handle	31105820	-	1
7	handle	31106820	-	1
8	handle fixing set	94184000	-	1
9	escutcheon	31098820	-	1
a	base body	06607000	-	1