






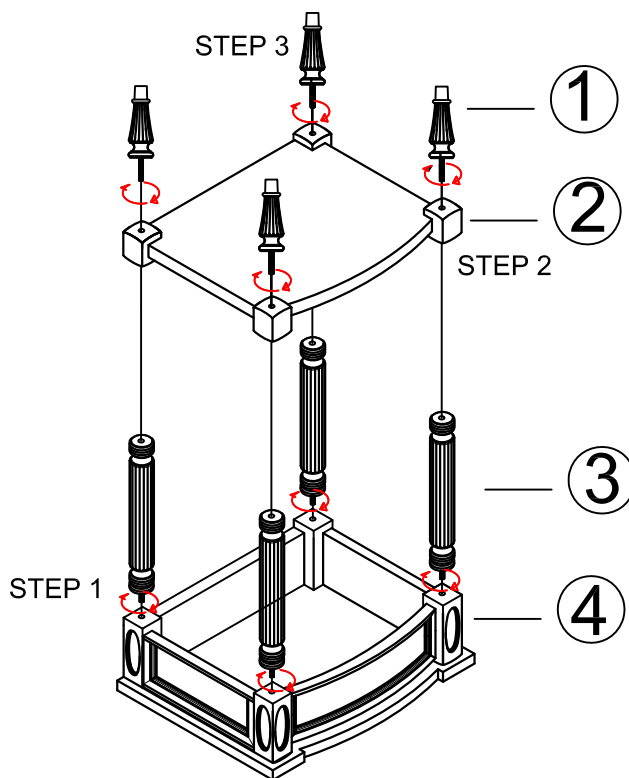
Thank you for purchasing this quality product. Be sure to unpack carefully looking for small parts which may have come loose during shipment.

Read all instruction and study the drawing carefully before starting the assembly process.

HARDWARE PACK

PART LIST

NO.	DRAWING	DESCRIPTION	SIZE	Q'TY	NO.	DRAWING	DESCRIPTION	Q'TY
A		Anti - Tip Kit		1PC	①		Foot	4PCS
					②		Bottom Panel	1PC
					③		Post	4PCS
					④		Top	1PC



Step 1: Attach posts (3) to top (4).

Step 2: Place bottom panel (2) onto the posts (3).

Step 3: Screw feet (1) into bottom shelf (2).

Thank you for purchasing this quality product. Be sure to unpack carefully looking for small parts which may have come loose during shipment.

Read all instruction and study the drawing carefully before starting the assembly process.

