


ASSEMBLY INSTRUCTION

7228-50731-89 Weaver 2-Door Accent Chest

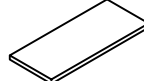
Thank you for purchasing this quality product. Be sure to unpack carefully looking for small parts which may have come loose during shipment.

Read all instruction and study the drawing carefully before starting the assembly process.

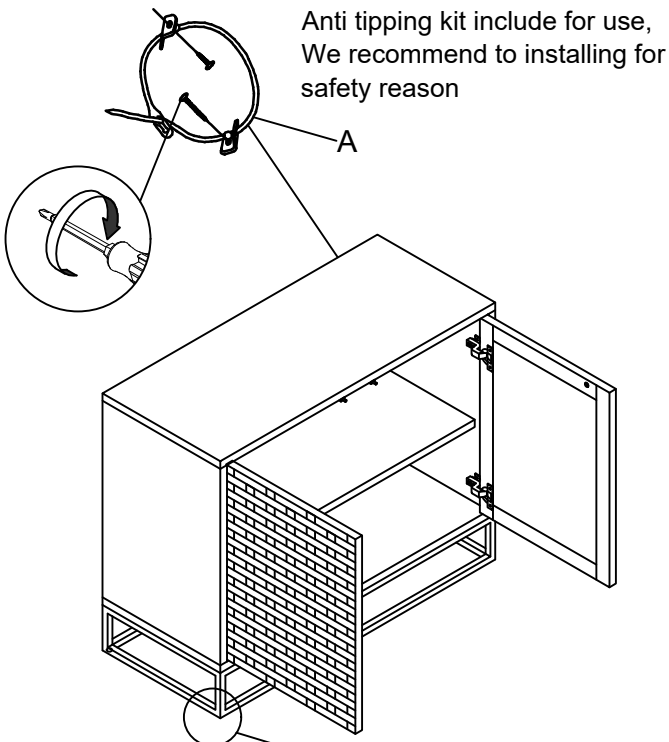
HARDWARE PACK

NO	SKETCH	DISCRIPTION	QTY.
A		ANTI-TIP KIT	1pc

PART LIST


NO	SKETCH	DISCRIPTION	QTY.
1		REMOVABLE SHELF	1 pc

Tipping Restraint

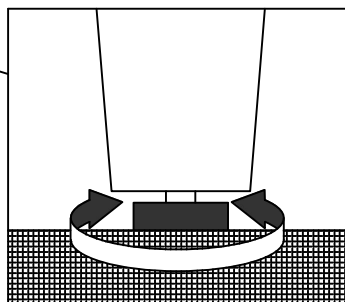


Anti tipping kit include for use,
We recommend to installing for
safety reason

TOOL REQUIRED

DRAWING	DISCRIPTION
	PHILIP HEAD SCREWDRIVER (NOT INCLUDED IN PACKAGED)

STEP 1



NOTE :
ADJUST LEVELER IF NEEDED TO LEVEL
CABINET ON UNEVEN FLOOR.

Thank you for purchasing this quality product. Be sure to unpack carefully looking for small parts which may have come loose during shipment.

Read all instruction and study the drawing carefully before starting the assembly process.

INSTRUCTION FOR HINGE ADJUSTMENT

(If necessary , the door panels by adjusting the set screw on the door hinges as needed.)

