

# EVERY THING YOU NEED TO KNOW ABOUT YOUR

# XO

UNDERCOUNTER NUGGET ICE MAKERS

MODELS:

XOUMN1585NO, XOUMN1585NOP

XOUMN1585NOA, XOUMN1585NOPA

I worked really hard  
on this manual -  
so please read it...

XO



When buying any XO appliance you can be confident you have chosen a high quality, innovative and stylish product from a company that cares about you! If you require service or have questions, Help is only a phone call away -  
**call: 973-403-8900**  
Talk to one of our undercounter experts.



## **CONGRATULATIONS**

on purchasing your XO.  
Before you proceed, take just a moment to register your XO at:

[www.xoappliance.com/register-your-product/](http://www.xoappliance.com/register-your-product/)

### **REGISTRATION HELPS YOU BY -**

- Ensuring warranty coverage should you need service
- Providing ownership verification for insurance purposes
- Let's XO notify you in the event of product changes or recalls.

# WHERE THINGS ARE

## **Before You Get Started**

4 - 7

Installer Checklist  
Find Your Model  
Safety Instructions  
Electrical and Grounding Instructions

## **Installation Instructions**

8 - 19

Sizes and Installation Dimensions  
Plumbing  
With & Without Drain Pump  
Reversing the Door  
Door panel Installation

## **Operating Instructions**

20 - 22

Features & Specifications  
Operating Instructions

## **Care and Cleaning**

23 - 28

Wash Function  
Cleaning  
Sanitization  
Stainless Steel  
Maintenance Schedule

## **Trouble Shooting**

29 - 31

Before You Call For Service  
Warranty

PLEASE READ AND FOLLOW  
ALL SAFETY INSTRUCTIONS

It's for your  
own good...  
Honest.

# DEAR INSTALLER

## HERE'S TEN STEPS FOR A QUICK & EASY INSTALL

- ① Inspect cabinet opening for water, drain and electrical connections.  
The 1/4" O.D. water supply line must include isolation valve and should include an inline water filter (consult manual). Do NOT use a self-piecing valve for the supply connection. Water supply must have a minimum pressure of 20 psi and a maximum of 80 psi. Cold water should be between 50 F and 90°F - NOTE: warmer water will slow ice production. Water quality directly affects performance and product life - use of an inline water filter is strongly recommended.
- ② Drain tubing will be 5/8" ID gravity fed or 3/8" ID for a pump model. All horizontal drain runs must drop 1/4" per foot. The drain should include an air gap device to prevent siphoning and a sanitary trap. A restricted or inadequate drain can result in poor ice production and possible flooding.
- ③ Electrical requirement is 15a dedicated, grounded circuit.  
Route water supply tubing to the water inlet located at the rear of the unit.
- ④ Connect the drain tubing to either the pump discharge or the barbed gravity fed elbow. Be sure nothing is kinked, and excess slack is removed. Be sure the electrical connection is secure into the wall outlet.
- ⑤ Slide the machine into location or cavity being careful not to allow for any kinks to occur in the water inlet and drain tubing.
- ⑥ Adjust the Ice Maker to level using the leg levelers.
- ⑦ Add approximately 2-3 quarts of water to the bin and make certain it is draining properly and check for leaks. If water does not drain, stop and verify tubing is not restricted.
- ⑧ Wash down the interior of the machine with a mild detergent solution (consult manual)
- ⑨ Turn the machine on and allow it to make ice for approximately 30-35 minutes to verify ice is being produced and water is draining freely. Be sure to check the cube size, shape and clarity. Discard the first batch of ice. Adjust if needed.
- ⑩ Always do one last check to be sure all water and drain connections are leak free.

### **DANGER**

#### **RISK OF CHILD ENTRAPMENT!**

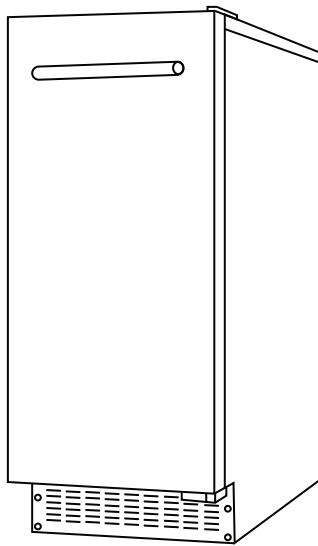
An empty refrigerator is a very dangerous attraction to children.

Remove door gaskets, latches, lids, lock and/or doors from unused or discarded appliances, or take other actions to guarantee them harmless.

Always dispose of old appliances in accordance with local laws and regulations.

# THESE ARE THE MODELS COVERED IN THIS BOOK

## INDOOR NUGGET GOURMET ICE MAKER



STANDARD HEIGHT  
XOUIMN1585NO & XOUIMN1585NOP

ADA HEIGHT  
XOUIMN1585NOA & XOUIMN1585NOPA

TAKE A MINUTE TO CIRCLE YOUR MODEL ABOVE  
AND RECORD YOUR SERIAL NUMBER  
HERE IN CASE YOU NEED IT LATER



# YOUR SAFETY MATTERS

## Please read through completely before using your XO Unit

Periodic maintenance is essential for safe operation - the unit must be easily pulled out for full access.

The appliance must be positioned so that the plug and water shutoff are readily accessible.

Empty your XO unit before attempting to move the appliance. Moving while loaded may damage or distort the frame.

The compressor will get HOT during operation / touching it may cause injury.

During installation follow all safety tips provided in this manual / appropriate safety equipment such as safety glasses and work gloves should be worn.

Two people should move or lift your XO unit to prevent injury or damage.

Remove all interior and exterior packing materials prior to installation and dispose of properly.

Always use only approved cleaning and descaling products to maintain your XO Ice Maker.

For maximum efficiency, keep the door tightly shut unless removing ice.

Before installing, allow your XO unit to sit upright for 2 hours at the install site. This will allow the cooling system to stabilize after transportation. Failure to follow this step may cause problems.

Never store bottles, cans or perishable food products such as meat or cheese in your XO Ice Maker.

## Location

Your XO unit should be located away from direct sunlight and heat sources (stove, heaters, etc.) which may increase electrical consumption. High or low ambient temperature may cause units to work improperly. Optimal operation occurs in the ambient temperatures of 50° - 68° F and water temperature of 50°.

The floor must be strong enough to support your XO unit fully loaded.

Your XO unit must not be installed in areas of where water or excessive moisture are present.

Your XO unit must not be installed near where flammable, corrosive or hazardous materials are present.

Your XO unit's final installation must observe the correct minimum air clearances around and behind the unit to ensure adequate ventilation. In addition, all ventilation openings must be kept clear and free of obstructions, failure to do so will result in damage to the unit.

## WARNING

NEVER use external heat sources to accelerate defrosting

NEVER permit unauthorized service or modifications to your XO unit

NEVER tamper with the sealed refrigerant system - this unit uses R134a Refrigerant.

It should never be used in the vicinity of any flammable or explosive ignition sources.

ALWAYS FOLLOW THE ELECTRICAL SAFETY INSTRUCTIONS OUTLINED IN THIS MANUAL.

# ELECTRICITY - THIS IS SERIOUS

**Failure To Follow All Electrical Safety Measures May Result in Serious Injury, Fire Or Death**

All electrical work should only be performed by an experienced, licensed electrician.

All XO units **MUST** be grounded for safe operation and come equipped with a 3 Prong molded cord/plug for that purpose.

NEVER remove or disable the 3rd prong with an adapter.



NEVER use an extension cord to operate your XO unit.



Your XO unit is built to operate on 115V 60Hz and should be plugged directly into a dedicated 15 amp 3 prong outlet. If you are uncertain as to the voltage, amperage capacity or if the 3rd prong is properly grounded - consult a licensed electrician.

To maximize the depth of the installation recess - your outlet should be mounted flush with the wall.

Your XO unit should not share the circuit with any other electrical devices as this may cause overloading, overheating, blown fuses or tripping circuit breakers. In a worst case this can pose a fire hazard.

NEVER handle your XO unit in wet conditions as this can pose a severe danger of electric shock.

Exercise care when moving your XO unit to avoid damage to the electrical cord. If the electrical cord of your XO unit becomes worn or damaged it must be replaced immediately by a qualified technician.

NEVER unplug your unit by pulling on the cord. Unplug by gripping the plug firmly and pull out straight from the outlet.

## FOR INDOOR USE:

XO Ice Makers shown in this manual are rated for indoor use.

These units are designed to operate in ambient temperatures between 50° and 100°F.

Avoid installing the unit where it may be exposed to heat or direct sun, dusty or damp conditions or in a location where it may be splashed by water.

Never install the unit where flammable or corrosive chemicals (such as pool chemicals) are present.

Installation in seaside environments where high concentrations of salt are present will require more frequent cleaning to avoid corrosion.

Use in any uncontrolled area or otherwise exposed to the elements is hazardous and voids the warranty.

In regions where high humidity exists (greater than 70%) condensation may appear on the door and/or door gaskets. This is normal and will disappear as humidity drops.

<b>SERVICE</b>	<b>115V - 60 Hz - 1 phase</b>
<b>AMPS</b>	<b>15 Amp Circuit Breaker</b>
<b>Requires a Dedicated Outlet</b>	
<b>All electrical work must be performed by a licensed electrician</b>	

### State of California Proposition 65 Warning (US only) ⚠ WARNING

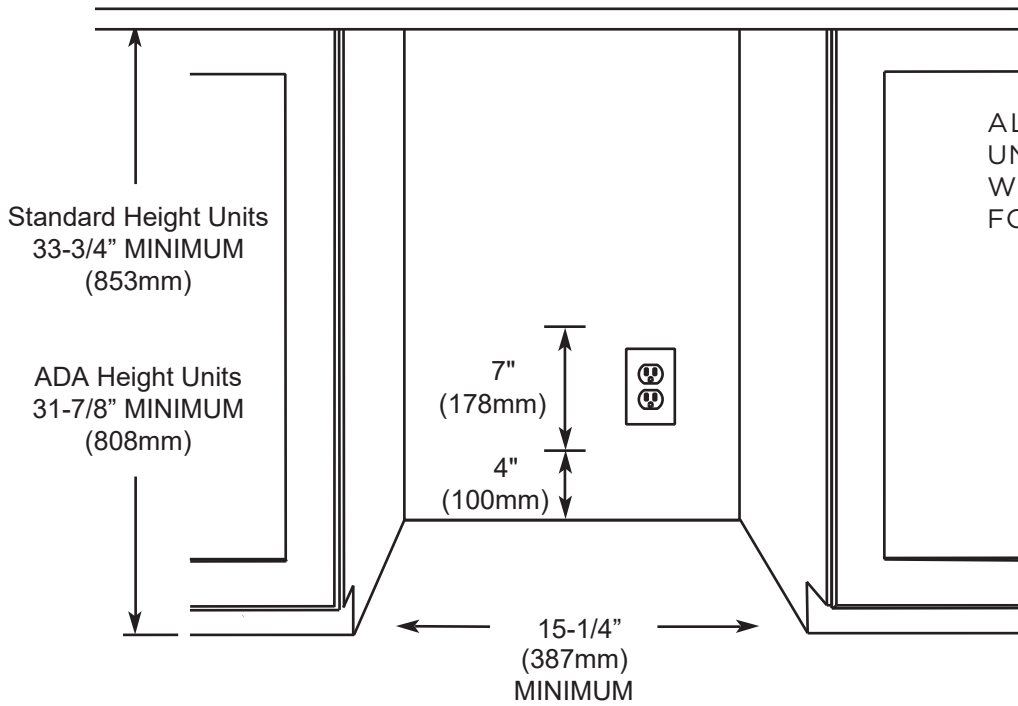
This product contains chemicals known to the State of California to cause cancer and birth defects or other reproductive harm.  
For more information go to [www.P65Warnings.ca.gov](http://www.P65Warnings.ca.gov)

Serious injury, fire or death...  
Okay -  
You've got my attention!

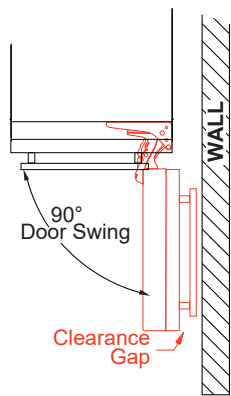
# XO

# A PERFECT FIT

## INSTALL UNDER COUNTER

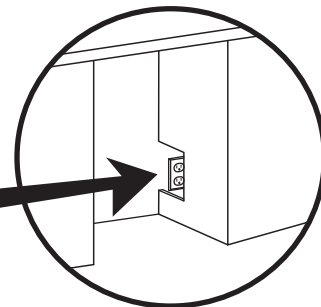


ALL XO UNDERCOUNTER  
UNITS ARRIVE PRE-WIRED  
WITH LOW PROFILE PLUGS  
FOR EASY INSTALLATION



WHEN INSTALLING WITH  
THE HINGE SIDE NEXT TO A WALL -  
LEAVE ADEQUATE SPACE FOR  
YOUR DOOR HANDLE  
DOOR HAS THE ABILITY TO OPEN TO 115°

When installing, remember you need  
to leave ready access to both the power  
plug and water shut off valve.  
Cut access to an adjoining cabinet to  
locate outlet and water there.



**XO**

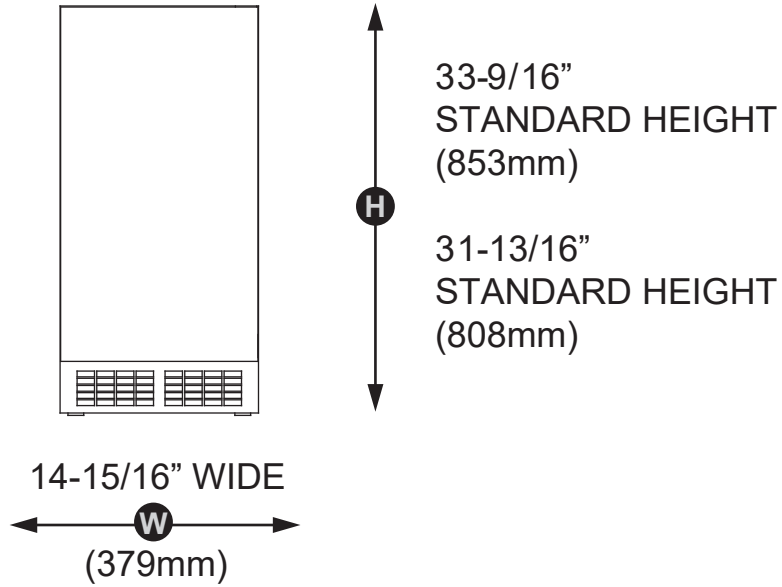


# A PERFECT FIT

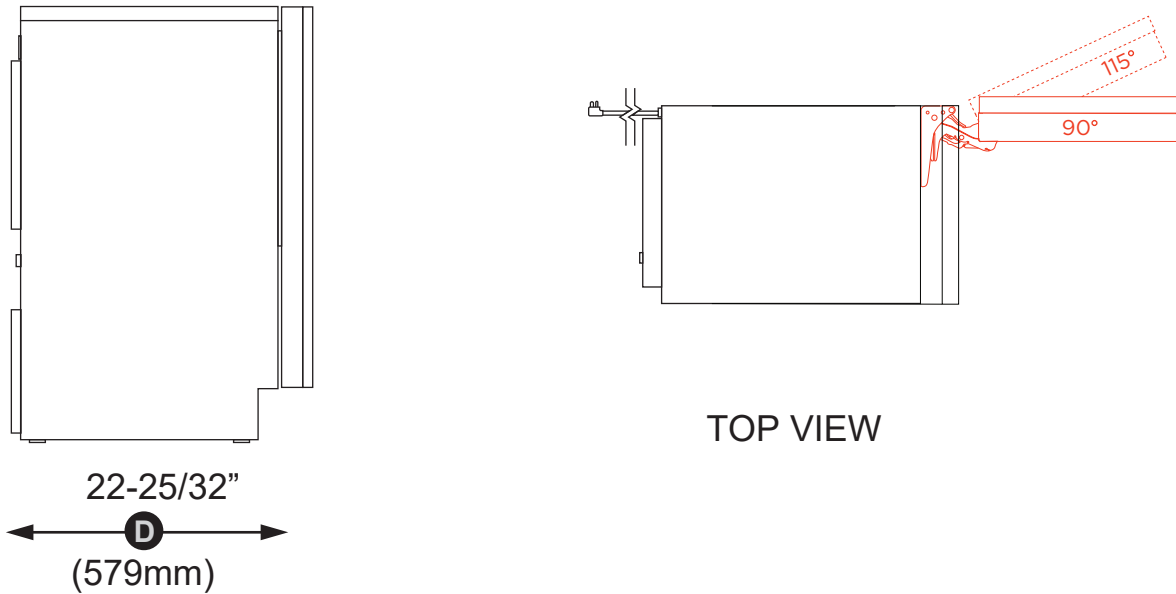
YOUR XO IS THIS BIG ( OR SMALL, AS THE CASE WOULD BE )

## HEIGHT & WIDTH

XOUIMN1585\_\_ & XOUIMN1585\_\_A ICE MAKER



## DEPTH

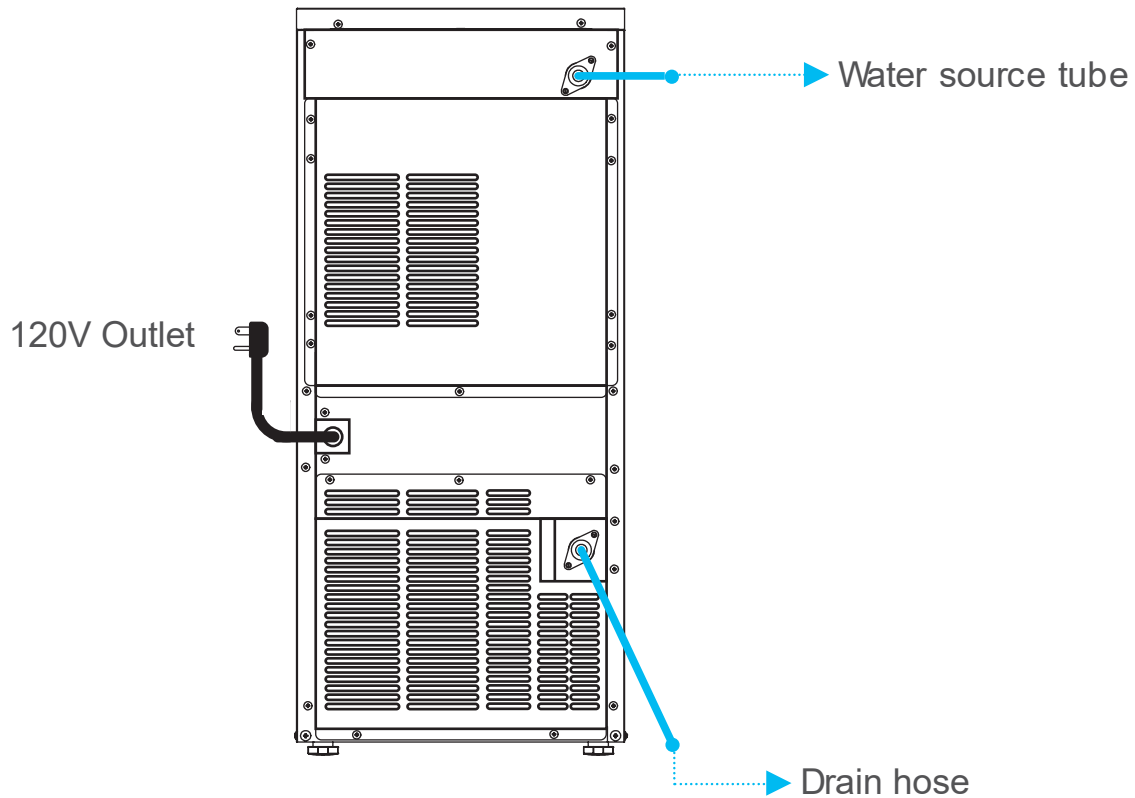


THE OVERALL DEPTH SHOWN (22-25/32") INCLUDES THE DOOR WITH 3/4" PANEL.

THE DEPTH OF THE ICE MAKER CABINET ONLY IS 20-13/32"

# BEFORE YOU INSTALL

## CHECK A FEW THINGS



Is the installation location COOL, DRY, LEVEL and away from direct sun.

The water supply valve must provide positive shut off capability and be readily accessible.

Does the unit have a dedicated 115V three prong, properly grounded outlet?

The Cold Water supply is 1/4" O.D. tube, it should be 50° to 90° F and be between 20 and 80 psi.  
(NOTE: as the inlet water temperature increases - production efficiency goes down.)

### YOU WILL NEED -

A few simple hand tools:

Pump pliers, adjustable wrench, #2 Phillips head screwdriver, level, razor knife

AND a few hardware items:

Teflon tape or Pipe dope

5/8" I.D. drain hose and hose clamps (if installing a gravity drain model)

1/4" O.D. water supply hose

Air Gap Device and/or Sanitary Trap (depending on your installation).

Water filter with isolation valve

Depending on your installation you will probably require additional site specific plumbing fittings

# WATER QUALITY

All water contains some impurities and minerals.

Your XO Ice Maker is designed to produce chewable, nugget ice. It does this by compressing ice flakes as they are forming.

## **PURER WATER YIELDS PURER ICE.**

Cubes are formed by cold water spraying against a chilled mold. Pure water freezes faster than water containing impurities. The spraying action causes the cubes to be built up in layers as the pure water freezes more quickly and the water containing impurities is washed away by the spray and falls into the water bin to be diluted and drained away.

The ice maker uses an auger system to take the ice as it is forming in flakes and compresses them, capturing air in the process to form soft, chewable nuggets of ice.

Periodic maintenance is required to ensure that your ice maker is performing at its best. See the maintenance section of this book and the Maintenance Schedule.

## **FILTERS AND WATER TREATMENT**

The correct filter is always recommended. XO has developed water filters to specifically address the needs of automatic ice makers. These have the ability to remove lead and odors as well as particulate from water prior to reaching the ice maker.

They also inhibit the formation of harmful scale without removing vital minerals from the water. The result is great tasting, crystal clear ice. Single stage and two stage filters where hard water is a greater concern are available.

(consult [www.xoappliance.com](http://www.xoappliance.com) for more information on which filter is right for you)

Water softeners exchange one mineral for another (salt) which can cause inferior ice quality such as soft, mushy ice that clumps together. If you are using a water softener, you should install a bypass to supply untreated water to the ice maker.

Water produced by Reverse Osmosis and deionized water are not recommended. It is more corrosive than tap water and can cause harm to the equipment over time.



**SCAN TO  
LEARN MORE**



**WARNING: CONNECT TO POTABLE WATER SUPPLY ONLY**

# THE PLUMBING

Plan the arrangement of the water supply pipes. You will need both a water supply line and a drain (see section on installing a gravity drain unit or pump drain unit)

Connect a 1/4" O.D. copper tube to the COLD tap water pipe and install a shutoff valve. Do not install the shutoff valve at the back of the product. Do not use a self-piercing valve. If the tap water has a high level of minerals, an inline filter will be required.

Attach the water supply line to the rear of the unit with flexible tube to the fitting indicated here. The tubing must be long enough to permit the unit to be pulled out for service.

Water supply should be between 20psi and 80psi.

Attach the drain to the connection indicated here. If you are installing an XOUIMN1585NO unit with a gravity drain, the line must be pitched down 1/4" per ft to ensure correct drainage.

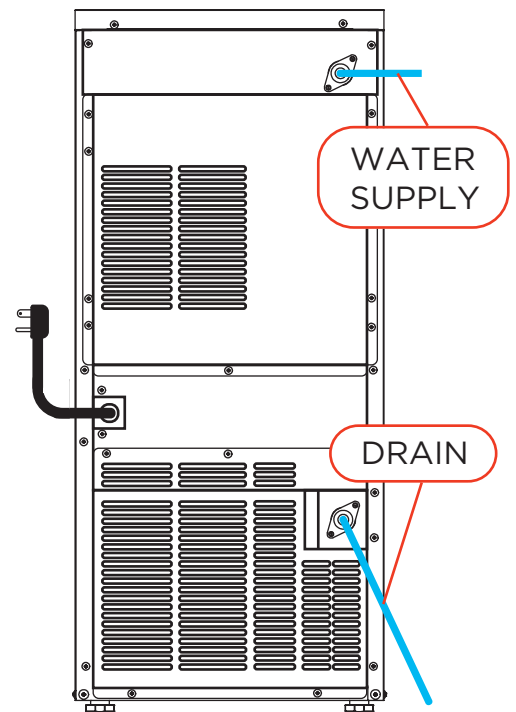
If the drain is positioned at a higher elevation than the connection on the rear of the unit, a pump will be required. Use model XOUIMN1586NOP. This unit comes with a pre-installed drain pump capable on discharging to a drain up to 8' above the unit.

**IMPORTANT:** The keep drains as short and straight as possible for optimal performance.

The electric power, water supply pipeline and drain pipeline must be in compliance with all provisions under the local laws and building regulations.

**IMPORTANT:** The product is designed for use in a fixed condition but it may be required to pull the product out for service. Therefore, do not install any material at the front, upper or lower end of the product which may be an obstacle when pulling the product out.

Once the unit is in place, use the leveling legs to ensure the unit is level. Each side should have at least 1/16" of space for projection of the screw head near the bottom.



# WITH GRAVITY DRAIN

## INSTALLING THE XOUIMN1585 without a drain pump.

Position the ice maker in front of the opening. Level the unit using the leveling legs.

Wash and flush the water supply tube and connect the unit to the cold water isolation valve.

Prepare the drain. The drain must be pitched downward at a drop of 1/4" per foot to drain properly. Horizontal runs of 5' or more must be anchored to a wall for support to prevent sagging.

A sanitary trap and air gap must be installed in the line prior to entering the home's drain system.

The trap prevents sewer gas from flowing back to the ice maker.

The air gap device prevents siphoning drain water back into the ice maker.

Cut the 5/8" ID drain hose (not supplied) to the required length. Immerse the hose in warm water to make installation easier, then using a threaded hose barb connection sealed with teflon tape, connect the drain hose to the drain using hose clamps.

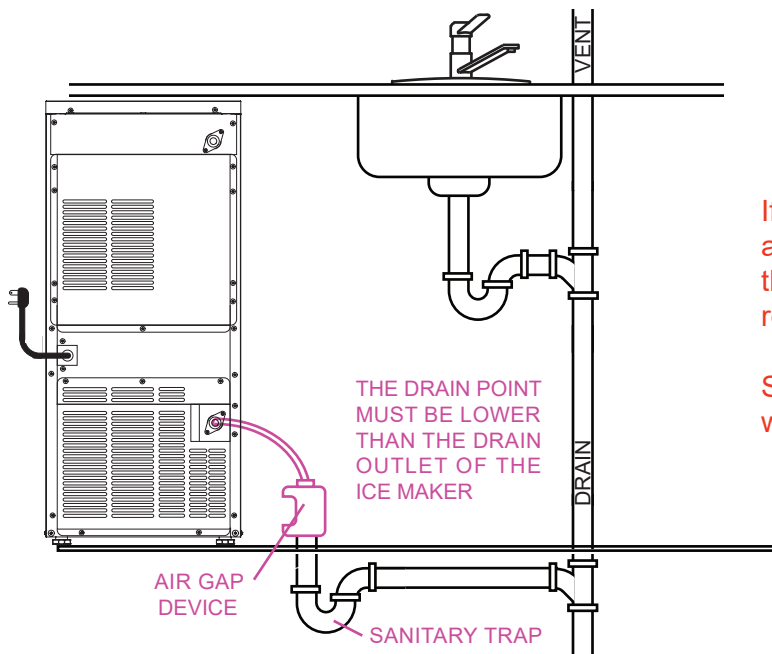
Turn the water supply on and check to ensure there are no leaks.

If there are no leaks, plug the unit into the electrical outlet.

Press the switch to the "ICE" position. The compressor will run approximately 3 - 5 minutes.

Slide the unit back into it's final position and recheck to ensure it is level.

**REMEMBER to adhere to all local building codes and regulations**



If you purchase a gravity drain unit and find you need one with a pump the XOUIMN1585 can easily be retrofitted with one in the field.

Simply order a XOUIMPUMP from [www.xoappliance.com](http://www.xoappliance.com)

# WITH DRAIN PUMP

## INSTALLING THE XOUM1565SP with DRAIN PUMP.

Position the ice maker in front of the opening.

Level the unit using the leveling legs.

Wash and flush the water supply tube and connect the unit to the cold water isolation valve.

Cut the 3/8" diameter drain hose to the required length. Immerse the hose in warm water to make installation easier, then connect the drain hose to the drain using hose clamps.

(9' of 3/8" ID drain hose is included with pump models)

**IMPORTANT:** Check local codes to determine if an air gap is required between the drain and the pump.

Turn the water supply on and check to ensure there are no leaks.

If there are no leaks, plug the unit into the electrical outlet.

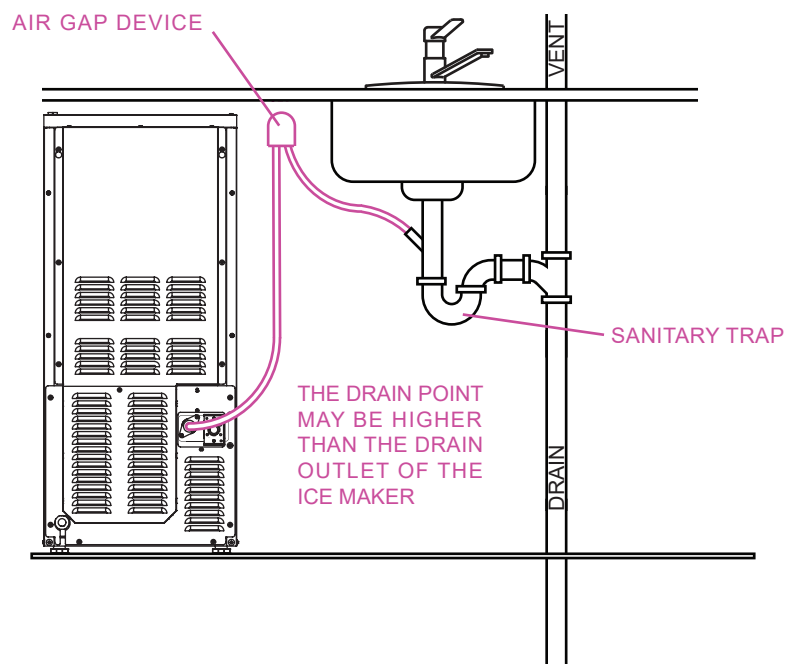
Fill the ice container with clean tap water approximately 3/4 full. The drain pump should turn on and pump the water out. Check again for leakage.

Press the switch to the "ICE" position. The compressor will run approximately 3 - 5 minutes.

Fill the ice container to 3/4 full once more. Block the drain tube while the pump is running. The pump should continue to run.

Slide the unit back into it's final position and re-check to ensure it is level.

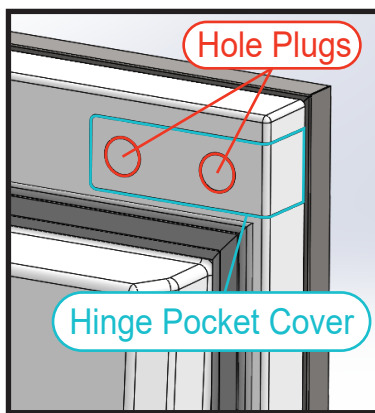
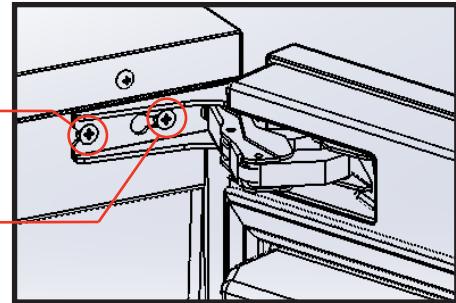
**REMEMBER to adhere to all local building codes and regulations**



# REVERSING THE DOOR

Your XO Ice Maker is shipped with the hinge on the right hand side but it can be easily reversed.

1. Remove the inner most screw holding the top and bottom hinges (shown here)
2. Loosen the outer screw holding the top and bottom hinges (as show here)
3. Slide the door and hinges sideways to remove from the cabinet.



4. On the opposing side of the door, remove the **Hole Plugs** and screws from the left hand hinge locations.
5. Remove the **Hinge Pocket Covers** from the left hand hinge locations.
6. Remove the two hinges, rotate them 180° and screw them into place on the left hand side where the Hinge **Pocket Covers** were just removed.
7. Rotate the **Hinge Pocket Covers** 180° and install them to cover the right hand hinge location.
8. Use the **Hole Plugs** to hide the screws holding the **Hinge Pocket Covers** in place.
9. Move the outer screws loosen in Step 2 to the corresponding hole on the left hand side of the cabinet but do not tighten down yet.
10. Place the door onto the screws installed in Step 9 and slide in toward the center of the cabinet so that second screw hole is visible.
11. Install the screws removed in Step 1. Make certain the door is centered properly and tighten all four (4) hinge screws.

# INSTALLING THE DOOR PANEL

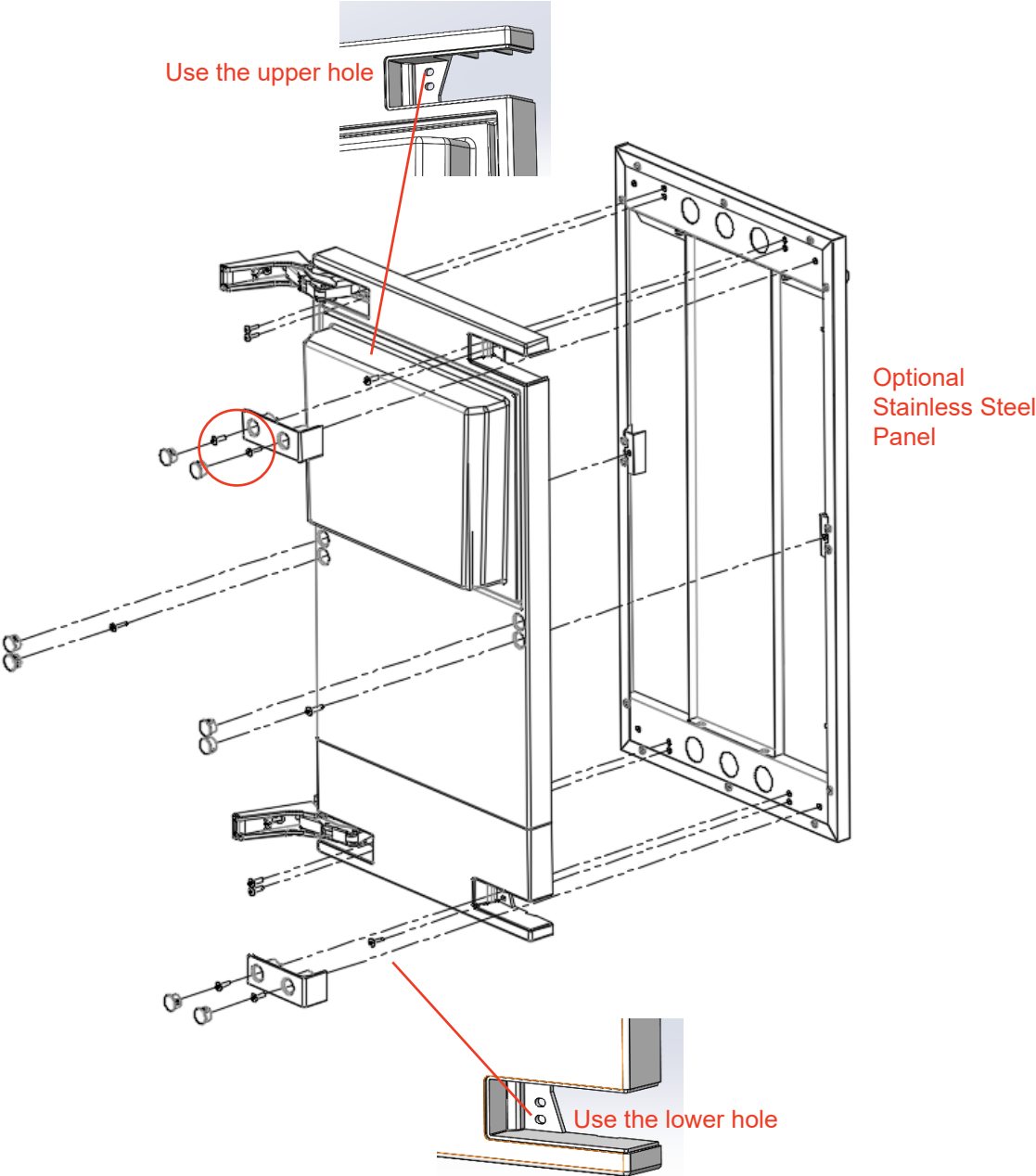
The panel is held in place by self tapping screws and/or machine screws.

To install your panel, follow these simple steps:

1. First prepare your custom panel.  
The panel must be 14-7/8" wide and no more than 3/4" thick. It cannot weigh more than 20 lbs. The height of the panel can vary but cannot block the free exchange of air through the toekick. If you are using one of the optional Stainless Steel door panels (XOUIMN15S or XOUIMN15ADA) it is ready to install out of the box, simply peel off the protective layer of plastic before installing.
2. If your cabinetry uses a handle, locate and attach it before mounting the panel. Remember to recess the screw heads.  
  
2. If installing a custom panel, clamp the panel in position on the open door being careful not to damage the panel or door liner. Use the 14 self tapping screws provided to secure the panel as outlined on the exploded diagram shown on the next page. Check the screw depth if your panel is less than 3/4" thick to ensure the screw points do not protrude through the panel. If using one of the optional Stainless Steel door panels, using the machine screws provided, secure the panel with the 14 machine screws supplied as outlined on the exploded diagram shown on the next page.
3. Install Hole Covers as required and remove the clamps.



# LET'S FACE IT



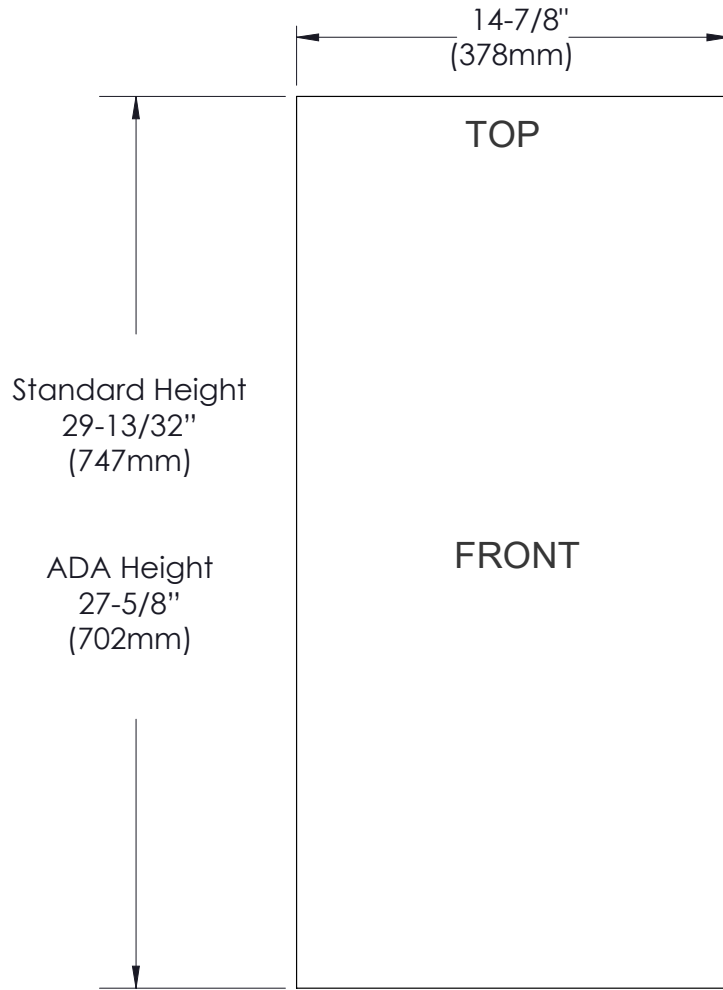
PANEL MAXIMUM WEIGHT: 20 lbs.

MAXIMUM PANEL THICKNESS 3/4"



# LET'S FACE IT

OVERLAY PANEL DIMENSIONS XOUIMN1585NO & XOUIMN1585NOP  
XOUIMN1585NOADA & XOUIMN1585NOPADA



PANEL HEIGHTS ARE MINIMUMS, PANEL MAY BE TALLER.  
PANEL MUST NOT INTERFERE WITH TOEKICK VENTS.  
AFTER INSTALLATION UNDERCOUNTER DOOR MUST BE ABLE TO OPEN 90°

PANEL MAXIMUM WEIGHT: 20 lbs.

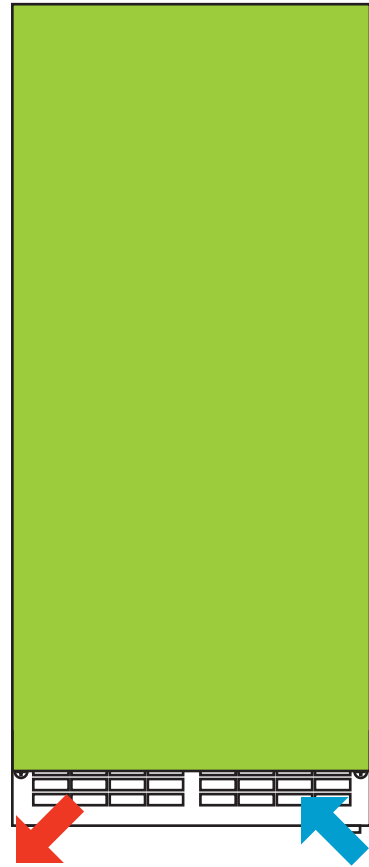
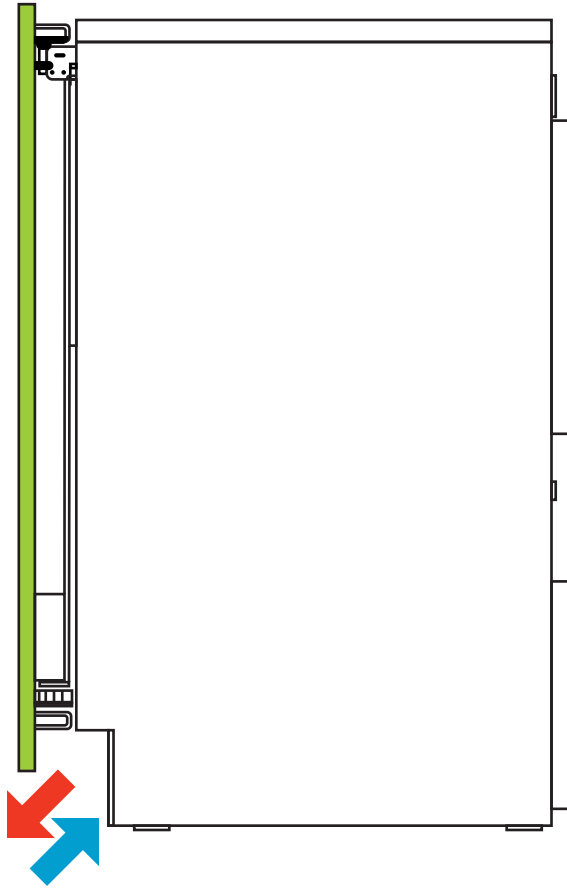
MAXIMUM PANEL THICKNESS 3/4"



# LET'S FACE IT

## THE TOEKICK

PANELS MAY EXTEND HIGHER OR LOWER THAN THE DOOR BUT MUST NOT OBSTRUCT THE FREE EXCHANGE OF AIR THROUGH THE TOEKICK.



# FEATURES & SPECS

Produces up to 85lbs of nugget ice per day

Stores 24.3lbs of ice in bin

Chewable, Nugget Ice

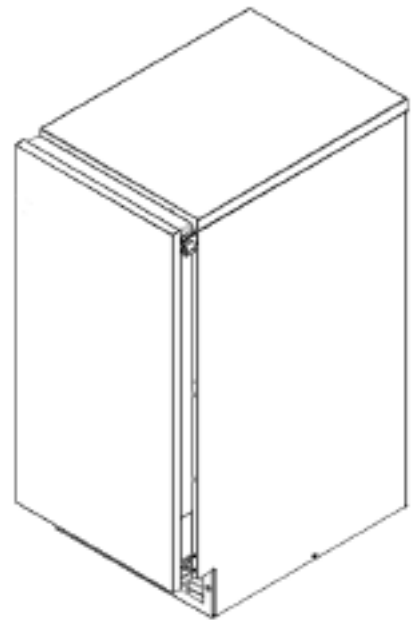
Gravity drain and pump drain models available

Reversible Door | Panel Ready (optional SS panel)

Rated for Indoor use (50° - 100°)

Front venting - designed for under counter installation

Automatically pauses ice production when bin is full



MAXIMUM CAPACITY	85 lbs per day
ICE SHAPE	Nugget
INITIAL TIME TO FILL BIN	10 Hours
DIMENSIONS (WxDxH)*	14 15/16" x 23 3/8" X see below*
NET WEIGHT	126 lbs empty
ELECTRICAL	115V - 60hz - 3.3 amps
POWER CONSUMPTION	550 Watts
REFRIGERANT	R-134a
COOLING CAPACITY	723 kcal/hr (2@ 45° F)
INLET WATER TEMP.	50° - 90° F
INLET WATER PRESS.	20 - 80 psi
AMBIENT TEMP.	50° - 100° F
* Overall Height for Standard Unit	33-9/16"
Overall Height for ADA Unit	31-13/16"

# OPERATION

You XO Ice Maker is simple to operate.

When you open the door you will see the electronic button/display located at the top center of the appliance.



The first button, **LAMP**, allows you to cycle through the 5 different interior LED Light colors (white, Dark Blue, Green, Red and Light Blue).

The **ICE** light will always come on first when the unit is switched on. Initially, the unit will automatically fill and drain water three times then, the ice making cycle will begin.

The **NO WATER** light will come on to indicate there is a problem with the water supply.

The **DRAIN** light will come on when the drain valve is open.

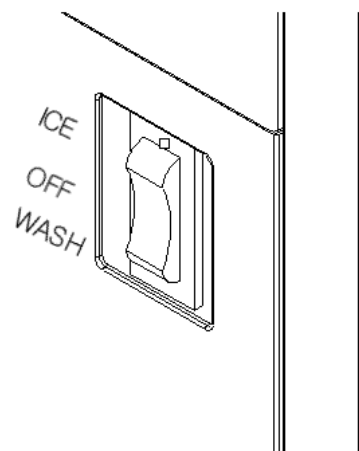
## INITIAL OPERATION:

When you open the door, located at the bottom, right of the face of the unit is a three position toggle switch.

The center position is OFF.

The top position is ICE.

The bottom position is WASH.



Turn the appliance to ICE, this will start the ice making process.

Always discard the first batch of ice. Good quality ice is produced in 1-2 hours.

# OPERATION CONT.

## DURING OPERATION:

After turning the switch to the ICE position, ice production will begin and continue until the ice bin has been filled.

Once the bin is filled, production will automatically be paused.

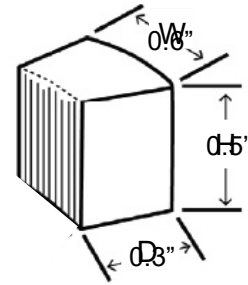
Remove ice using the handy scoop located in a holder in the top left hand side of the interior.

It takes approximately 10 hours to fill the ice bin, this time may vary based on ambient and water temperatures.

## NUGGET ICE:

Nugget ice is a smaller softer cube ideal for drinks requiring “Chewable Ice”. Ice is formed in layers that are compressed together by a rotating auger and ejected upward.

Impurities sink in the drum and are removed periodically by the drain. These commonly fracture in smaller pieces creating the “Nuggets”.



approximate size in inches, image not to scale

## NOTE:

As ice melts, the residual water is drained away. This will continue to occur even when the ice maker is shut off. Models with a drain pump will cycle automatically to remove collected water periodically when ice production is shutdown. This is normal. Pump operation is only a few seconds in duration.

## IMPORTANT:

Never store bottles, cans or other items in the ice maker. This can be unsanitary, contaminating the ice and detached labels or packaging can block the drain.

# MAINTENANCE

Proper maintenance, cleaning and sanitizing is essential to ensure your ice is safe, fresh and odor free.

## **WASH FEATURE:**

Regular maintenance is the key to delicious, wholesome ice.

The WASH feature helps make this easy to perform.

When the WASH Position of the switch is selected, the cleaning process takes approximately 10 minutes and the following actions take place:

## **BEFORE BEGINNING - REMOVE ALL ICE FROM THE ICE BIN.**

1. Water is supplied to the first water tank and the auger operates for 5 minutes.

NOTE: You may optionally add cleaning solution (see CLEANING) to the ice outlet.

2. After Step 1 is complete, drain and re-fill with water.
3. Operate the Auger for 1 minute.
4. Repeat Steps 2 and 3, twice more for a total of 3 times.
5. Drain and stop the product. When restarting follow the procedures for an initial start, discarding the first batch of ice.

# MAINTENANCE CONT.

Proper maintenance, cleaning and sanitizing is essential to ensure your ice is safe, fresh and odor free.

## CLEANING:

### BEFORE BEGINNING - REMOVE ALL ICE FROM THE ICE BIN.

1. Prepare by mixing 0.25ℓ of a non-toxic, nickle-safe Ice Maker cleaning solution and 5ℓ of water.
2. Open the door and pour approximately 1 liter of cleaning solution into the ice spout located at the top, rear of the unit.
3. Toggle the lower front mode switch to "WASH".

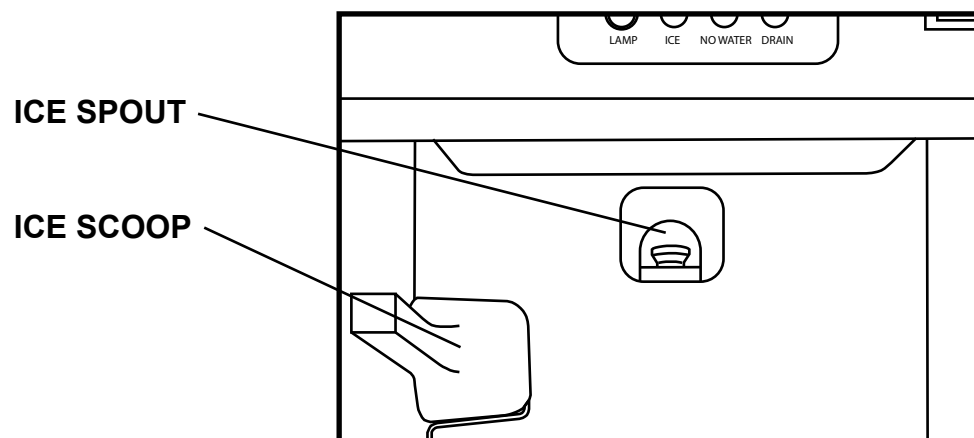
The ice maker automatically cleans, drains and supplies water repeatedly, which takes about 10 minutes.

Use a brush or cloth to clean the inside of the reservoir with the remaining cleaning solution.

After 10 minutes have elapsed, rinse the inside of the reservoir with clean water and pour water into the ice spout.

Toggle the mode switch to "WASH" once again.

After about 10 minutes, the cleaning processes will finish.





# MAINTENANCE CONT.

Proper maintenance, cleaning and sanitizing is essential to ensure your ice is safe, fresh and odor free.

## **SANITIZING:**

### **BEFORE BEGINNING - REMOVE ALL ICE FROM THE ICE BIN.**

1. Prepare by mixing 0.25ℓ of a Ice Maker sanitizer solution and 5ℓ of water.  
**WARNING:** Observe all safety precautions including the use of protective eyewear and gloves while using sanitizer.  
Read and observe all manufacturers instructions carefully.
2. Open the door and pour approximately 1 liter of cleaning solution into the ice spout located at the top, rear of the unit.
3. Toggle the lower front mode switch to “WASH”.

The ice maker automatically cleans, drains and supplies water repeatedly, which takes about 10 minutes.

Use a brush or cloth to clean the inside of the reservoir with the remaining sanitizing solution.

After 10 minutes have elapsed, rinse the inside of the reservoir with clean water and pour water into the ice spout.

Toggle the mode switch to "WASH" once again.

After about 10 minutes, the sanitizing processes will finish.

# STAINLESS STEEL

## CLEANING THE EXTERIOR

### **Stainless Steel:**

Stainless steel does not stain, corrode, or rust as easily as ordinary steel, but it is not stain or corrosion proof. Stainless steels can discolor or corrode if not maintained properly.

Stainless steels differ from ordinary carbon steels by the amount metals such as chromium and nickel used in the alloy. It is the chromium which provides an invisible protective film on the surface called chromium oxide. If the protective chromium oxide film on the surface is damaged or contaminated, it can result in discoloration, staining, or corrosion of the iron in the steel.

### **Care & Cleaning:**

Routine cleaning of the stainless steel surfaces will serve to greatly extend the life of your product by removing contaminants.

This is especially important in coastal areas which can expose the stainless to severe contaminants such as halide salts, (sodium chloride) and also in pool areas where high concentrations of chlorine are present.

It is strongly recommended to periodically inspect and thoroughly clean crevices, weld points, under gaskets, rivets, bolt heads, and any locations where small amounts of moisture could collect, become stagnant, and concentrate contaminates.

Additionally, any mounting hardware that is showing signs of corrosion should be replaced.

The frequency of cleaning depends upon the installation location, environmental factors, and use.

### **Cleaning Products:**

Ultimately, the choice of a proper cleaning product belongs to the consumer, and there are many products to choose from. Depending upon the type of cleaning and the degree of contamination, some products are better than others.

Typically the most effective means of routine cleaning for most stainless steel products is to give the surfaces a brisk rubbing with a soft cloth soaked in warm water with a gentle detergent, or mild mixture of ammonia.

Rubbing should follow the polish lines of the steel, followed by a thorough rinsing after cleaning.

**CAUTION:** There are products on the market called "stainless steel cleaners," which may contain abrasives that could scratch the surface, (compromising the protective chromium oxide coating) and other products which contain chlorine bleach which will dull, tarnish or discolor the surface if not completely removed. Such cleaners should be avoided.

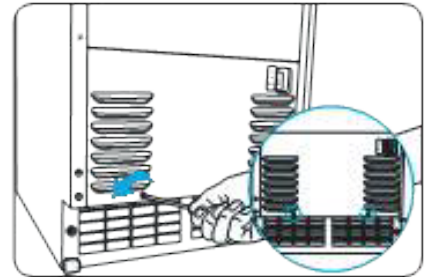
# THE CONDENSER

## IMPROVE EFFICIENCY & PERFORMANCE

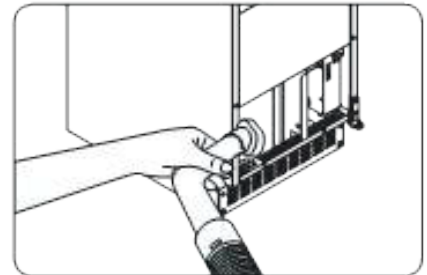
Cleaning the condenser

Remove dust and dirt from the surface of the condenser coils with a vacuum cleaner

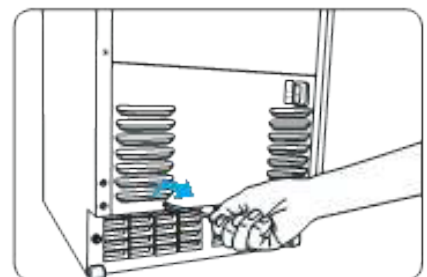
Remove two screws on the front panel at the center of the inside



Vacuum the condenser coils



Reassemble the panel using the two screws to after cleaning



# MAINTENANCE SCHEDULE

The following maintenance schedule is a guideline.

Maintenance and repairs should be performed more frequently where required by water quality, equipment usage and local hygiene regulations.

FREQUENCY	AREA	TASK
DAILY	Scoop	Clean with neutral cleaner / rinse thoroughly
MONTHLY	Water filter	Check dressure drop / change as needed
	Exterior of unit	Wipe down with clean soft cloth. Use neutral cleaner on damp cloth to remove oils or dirt. Clean any chlorine rust stains using a non-abrasive cleanser.
	Storage bin inner door and Ice spout	Wipe clean with a clean cloth and warm water inner door and ice spout
6 Months	Ice maker and Storage bin	Clean and sanitize according to the instructions in this manual.
	Evaporator Condensate Drain and Gear Motor Drain Pan.	Wipe down with clean cloth and warm water
	Ice maker and reservoir	Check that it is kept clean
	Ice exit fixing bolt	Check for leaks around seal Always replace O-Ring if bolt is removed
Annually	Water supply valve and Drain Valve	Close water supply valve and drain water
	Water Hose	Check water hose, clean as necessary
	Condenser	Inspect and clean with brush and vacuum, if dust adhesion is severe, spray with pin cleaning agent, rinse and dry
	Ice maker	Inspect for oil marks, loose components and wire

Bearing and mechanical seal maintenance must be performed by a qualified service technical annually

# WHAT THE CONTROL LIGHTS MEAN

PROBLEM	●	●	●	POSSIBLE CAUSE	ACTION
	ICE	NO WATER	DRAIN		
Making Ice	O			Switch in "ICE" position	
Washing	B			Switch in "WASH" position ICE lamp blinks once per second	Switch in "WASH" position ICE lamp blinks once per second
Bin Full	B			ICE lamp blinks every 2 seconds	Will turn off when sensor detects release temperature
Draining			O	Drain valve is open	
Water Supply Error		B		Water level not detected (for 2 minutes)	Water pressure and level check Start operation after action
Drain Error			B	Water level lower limit is undetected after 2 minutes while drain is open	Check if draining properly Replace water level sensor Call for service
Evap Temp Error	B	B	B	Evaporator temp is 32° or higher after 30 minutes with Ice Making ON	Call for service
Evap Temp Error	B			Evaporator temp is 32° or higher after 10 minutes with Ice Making ON	Call for service
Ice Full Sensor Error		B	B	ICE FULL temperature sensor disconnected of shorted	Sensor disconnected of shorted Call for service
Evap Temp Sensor	B	B		Evaporator temperature sensor disconnected of shorted	Sensor disconnected of shorted Call for service
Air Temp Sensor Error	B		B	Air temperature sensor (front of condensor) disconnected of shorted	Sensor disconnected of shorted Call for service
Evap Freezing	O	O	O	Evaporator outlet temperature drops below setting for 2 minutes while ice maker is running	Occurs when ambient temperature is low. Increase room temperature above 50°F.

O= ON B = BLINKING

Questions - Need Help...  
You can always contact customer service at 973-403-8900  
or visit [www.xoappliance.com](http://www.xoappliance.com)

# TROUBLESHOOTING

PROBLEM	POSSIBLE CAUSE	ACTION
Ice maker not operating	No power	Unit unplugged / plug in Breaker thrown / reset breaker
	Switch in wrong position	Change switch to ICE position
	Storage bin full	Operating normally - production ceases when bin is full Room temp below 50° / raise room temp.
	Drain blocked	Clear drain tube
	Drain pump malfunction	Call for service
Cubes too large	Cube size temp set too low	Call for service
Ice quality inconsistent	Not enough water	Check filter may be restricting water flow Check water valve, inlet screen may be restricted
Sound level has increased	Scale has formed in drum	Clean with approved Ice Maker Cleaner
Makes ice but bin does not fill	Storage bin drain may be restricted	Clean out and check drain
Ice partially formed	Possible scale in evaporator	Clean with approved Ice Maker Cleaner
Unit operates but no ice is produced	Ice stuck in evaporator	Check water supply - filter may be restricting water flow Check water valve, inlet screen may be restricted Call for service
	Water temperature is too high	Inlet water valve may be leaking - call for service
	Inadequate air flow	Obstructed toe kick vents - clear obstruction Damaged cooling fan - call for service Condenser blocked - clean condenser
	Compressor not operating	Call for service
	Low refrigerant	Call for service
	Hot gas valve leaking	Call for service

**Questions - Need Help...**  
 You can always contact customer service at 973-403-8900  
 or visit [www.xoappliance.com](http://www.xoappliance.com)

# WE'VE GOT YOUR BACK

**ONE-YEAR PARTS & LABOR LIMITED WARRANTY.** XO warrants to the original purchaser of every new XO ice maker unit, the cabinet and all parts thereof, to be free from defects in material or workmanship under normal and proper use and maintenance as specified by XO and upon proper installation and start-up in accordance with the instruction packet supplied with each XO unit. XO's obligation under this warranty is limited to a period of one (1) year from the date of original purchase.

**FIVE-YEAR COMPRESSOR LIMITED WARRANTY.** XO warrants its compressor to be free from defects in both material and workmanship under normal and proper use and maintenance service for a period of five (5) years from the date of original purchase. If the compressor fails during that time period due to a defect in material or workmanship, XO will supply a replacement compressor free of charge. The consumer will be responsible for all related transportation and labor costs. Product must be registered with XO to qualify for this warranty.

**TERMS APPLICABLE TO EACH WARRANTY.** Any part covered under the above warranties that is determined by XO to have been defective within the time frame is limited to the repair or replacement, including labor charges, of defective parts or assemblies. The labor warranty shall include standard straight time labor charges only and reasonable travel time, as determined by XO.

**WARRANTY CLAIMS.** All claims for labor or parts must be made directly through XO. All claims should include: model number and serial number of cabinet, proof of purchase, and date of installation. In case of warranted compressor, the compressor model tag must be returned to XO along with the above listed information.

**WHAT IS NOT COVERED BY THIS WARRANTY.** XO's sole obligation under this warranty is limited to either repair or replacement of parts, subject to the additional limitations below. This warranty neither assumes nor authorizes any person to assume obligations other than those expressly covered by this warranty. Open box, factory seconds, scratch and dent, floor models, models with missing, altered or obscured serial numbers and commercial applications are excluded from these warranties. Consumer shall be responsible for labor and transportation costs where noted above.

**NO CONSEQUENTIAL DAMAGES.** XO is not responsible for economic loss, profit loss; or special, indirect or consequential damages, including without limitation, losses or damages arising from food or product spoilage claims whether or not on account or refrigeration failure.

**WARRANTY IS NOT TRANSFERABLE.** This warranty is not assignable and applies only in favor of the original purchaser/user at the original installation location. Any such assignment or transfer shall void the warranties herein made and shall void all warranties, express or implied, including any warranty or merchantability or fitness for a particular purpose.

**IMPROPER USAGE.** XO assumes no liability for parts or labor coverage for component failure or other damages resulting from improper usage or installation or failure to clean and/or maintain product as set forth in the warranty packet provided with the unit.

**ALTERATION OR NEGLECT.** XO is not responsible for the repair or replacement of any parts that XO determines have been subjected after the date of manufacture to alteration, neglect, abuse, misuse, accident, damage during transit, improper installation, lack of scheduled maintenance as outlined in this manual, fire, flood, or act of God.

**SERVICE CONNECTIONS.** XO is not responsible for the repair or replacement of failed or damaged components due to water supply, drain or electrical power failure, high or low pressure, blocked drains, high or low voltage, use of extension cords, or improper grounding of the unit.

**YOUR RIGHTS UNDER STATE LAW.** This warranty gives you specific legal rights and you may have other rights that vary from state to state. Some states do not allow the exclusion or limitation of consequential damages or a limitation on how long an implied warranty lasts, so the above exclusion or limitation may not apply to you.

**OUTSIDE U.S.** This warranty does not apply to, and XO is not responsible for, any warranty claims made on products sold or used outside the 48 continental United States.

## To obtain service:

Call 973-403-8900 | email [service@xoappliance.com](mailto:service@xoappliance.com) | or submit a request on our website  
[www.xoappliance.com](http://www.xoappliance.com)



SEE ALL THE LATEST XO PRODUCTS AND ACCESS PARTS AT:  
[WWW.XOAPPLIANCE.COM](http://WWW.XOAPPLIANCE.COM)