

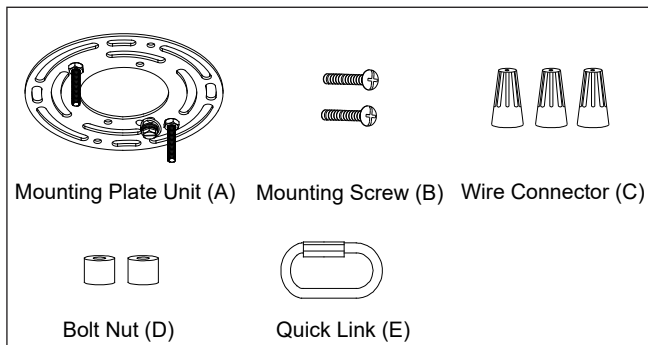
ASSEMBLY AND INSTALLATION INSTRUCTIONS

H0307

WARNING: TO AVOID RISK OF ELECTRICAL SHOCK, BE SURE TO SHUT OFF POWER WHILE INSTALLING OR SERVICING THIS FIXTURE.

NOTE: 1. Before installing, consult local electrical codes for wiring and grounding requirements.
2. Read and save this instructions.

Hardware Package (included):



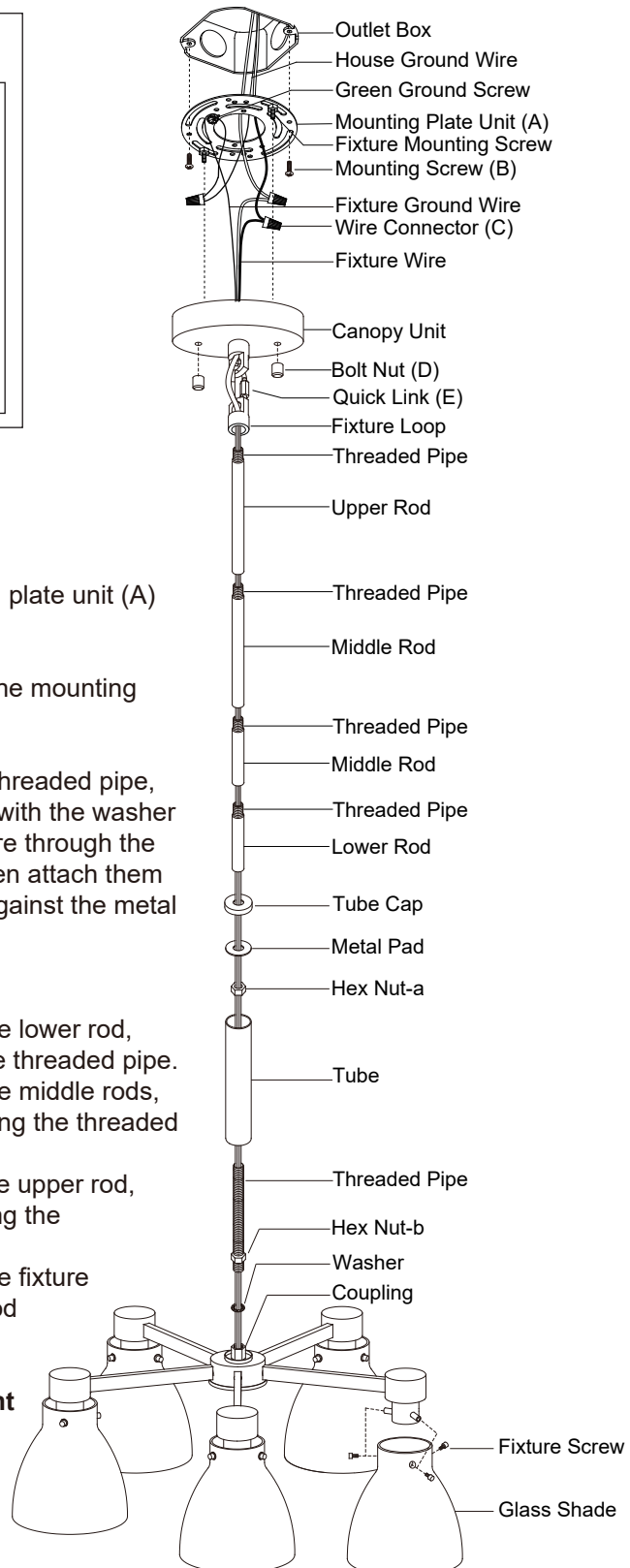
Installation Steps

Turn off the power at fuse or circuit box

1. Unscrew the two bolt nuts (D). Remove the mounting plate unit (A) from the canopy unit.
2. Attach the mounting plate unit (A) to outlet box with the mounting screws (B).
3. Thread the fixture wires from the fixture through the threaded pipe, then secure the threaded pipe tightly to the coupling with the washer and hex nut-b. Thread the fixture wires from the fixture through the tube, hex nut-a, metal pad, tube cap in sequence, then attach them to the fixture. (Adjust the hex nut-a to right position against the metal pad).
3. Rod connection:
 - a. Thread the fixture wires from the fixture through the lower rod, then secure the lower rod onto the fixture using the threaded pipe.
 - b. Thread the fixture wires from the fixture through the middle rods, then secure the middle rods onto the lower rod using the threaded pipe.
 - c. Thread the fixture wires from the fixture through the upper rod, then secure the upper rod onto the middle rod using the threaded pipe.
 - d. Thread the fixture wires from the fixture through the fixture loop, then secure the fixture loop onto the upper rod using the threaded pipe.

Note: The fixture height can be adjusted to 57" by using the rods. Use fewer rods if shorter height is desired.

4. Thread the fixture wires through the quick link (E) and canopy unit, then connect canopy unit and fixture loop with quick link (E).



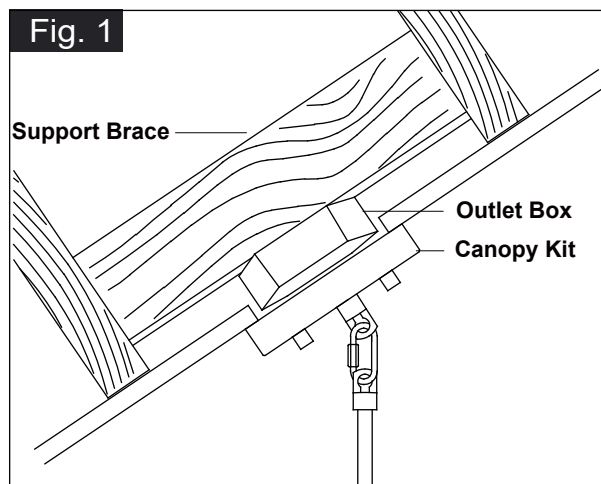
5. Pull out the source wires from the outlet box, make wire connections using wire connectors(C) as follows:
 - Connect the smooth-coated (marked) wire from the fixture to the black (hot) wire from the power source.
 - Connect the ribbed-coated to the white (neutral) wire from the power source.
 - Attach the fixture ground wire (bare wire) to the mounting plate unit (A) with the green ground screw, then connect fixture ground wire to the house ground wire with a wire connector (C).
 Carefully put the wires back into the outlet box.

6. Attach the canopy unit to the mounting plate unit (A), then secure the canopy unit with two bolt nuts (D).
7. Unscrew the fixture screws from the glass holder. Attach the glass shades to the glass holders and secure the glass shades with the fixture screws.

Note: Please do not overtighten, breakage might occur.

8. Install 5 x 60W medium base vintage bulbs (not included).

Note: See relamping label at socket area or packaging for maximum wattage allowed.
9. Angled mounting recommended for a vaulted or angled ceiling. (See Fig.1)

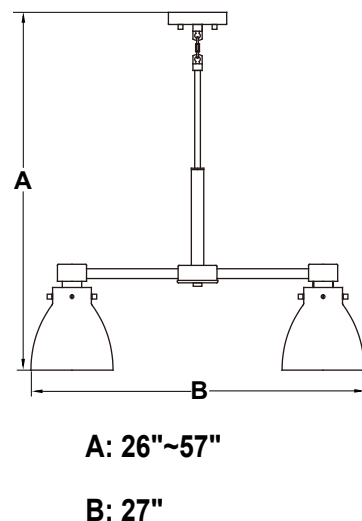


Turn on the power at fuse or circuit box

The following parts are available for reorder if damaged or missing.

Spare Parts List:

Mounting Plate Unit (A)	Mounting Screw (B)	Wire Connector (C)	Bolt Nut (D)	Quick Link (E)
Fixture Screw 6425FS	Vintage Bulb 60W 8072EB	6" Rod 3296RD	12" Rod 3297RD	



1 Year Warranty

Vaxcel warrants all of our products against defects in workmanship and finishes for one year following the date of shipment.

Exclusions: This warranty does not include the failure of products from extreme acts of nature; environmental conditions not suited for the products intended use; operation in temperatures outside of the range specified in the instruction manual; usage with improper power supply, power surges or dips. For coastal locations, some corrosion is considered normal for the environment.

Vaxcel reserves the right to repair, replace or issue a credit for any properly installed product, provided it is returned per RMA instruction. This warranty is limited to the cost of the product only and does not extend to transportation, installation or replacement costs.

How can warranty service be obtained?

info@vaxcel.com

1-800-482-9235