



Thank you for choosing Sunnydaze Decor. We stand behind our brand and the quality of the items we sell. Replacement parts or products will be sent at our discretion, within the one-year warranty period. Proof of purchase, with the date of purchase as well as photos of the defective merchandise, must be provided.

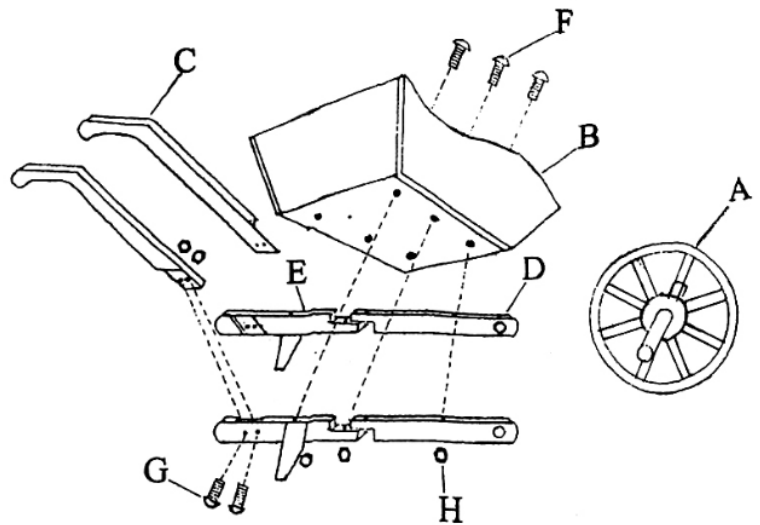
If you have any questions, comments or concerns please feel free to contact us by phone at: **888-881-4668**. You may also contact us by email: [customerservice@serenityhealth.com](mailto:customerservice@serenityhealth.com), or via our webpage at: [www.serenityhealth.com/contact-us/](http://www.serenityhealth.com/contact-us/)

## DSL-674

PARTS:

### PARTS LIST

PART NO.	DESCRIPTION	QUANTITY
A	Wheel	1
B	Body	1
C	Handle	2
D	Pole	2
E	Pole with leg	2
F	Ø6x55mm screw	6
G	Ø6x45mm screw	4
H	Ø6mm nut	10



ASSEMBLY:

1. Attach pole to the front bottom part of the body, align the holes, then secure them with one 06x55mm screw, and one 6mm nut. Attach pole with leg to the back-bottom part of the body, then secure them by using two 6x55mm screws, and two 6mm nuts.
2. Position the wheel into the hole on the front pole, attach another pole, and align the hole and another pole, then secure them by using one 6x55mm screw and one 6mm nut.
3. Attach another pole with leg to the back of the body, and secure them by using two 6x55mm screws, and two 6mm nuts.
4. Attach the handle on to the frame, then align the hole and pole up, secure them using four 6x45mm screws and four 6mm nuts.

