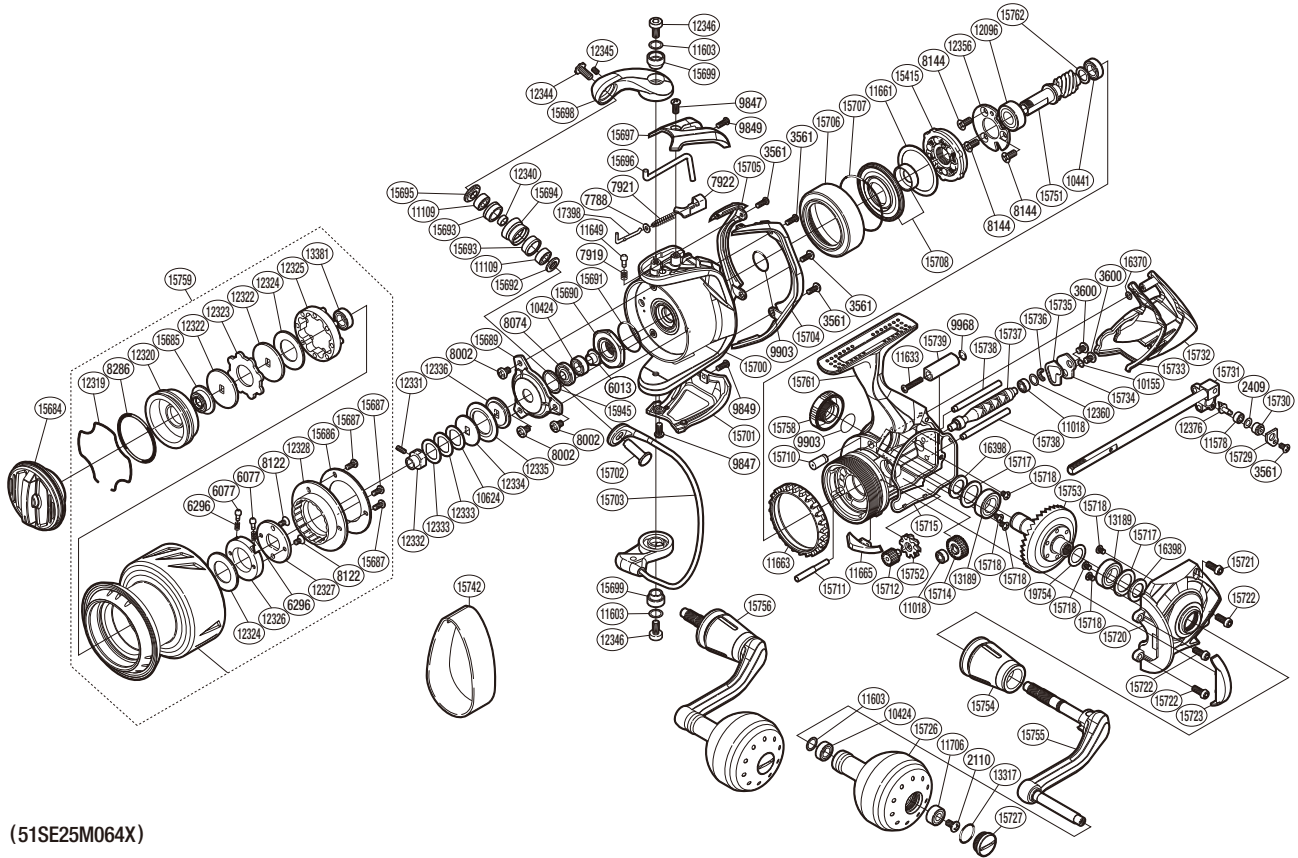


# SHIMANO

## STELLA

## STLSW-6000PG



(51SE25M064X)

#	Part No.	Description	#	Part No.	Description	#	Part No.	Description
2110	103E9	Screw	12328	10C1J	Drag Cover	15712	106RE	Idle Gear B S
2409	1059U	Spacer	12331	10PRL	Set Screw	15714	10HBK	Idle Gear
3561	10MT4	Screw	12332	10LTL	Bearing Bushing	15715	10CD7	Body Seal
3600	103L4	Screw	12333	10BUL	Spool Washer	15717	10BGE	Washer
6013	1072N	Main Shaft Spacer	12334	10HZW	Spool Support B	15718	1055G	Screw
6077	1035W	Click Pin	12335	10JPF	Bearing Water Proof	15720	1049F	Side Cover
6296	10JMD	Click Spring	12336	103P0	Spool Support	15721	10A6N	Screw
7788	1064R	Spring Guide A Support	12340	10GAF	Bearing Spacer	15722	10A6P	Screw
7919	1077Q	Click Spring	12344	10K46	Screw	15723	10J3M	Friction Ring Spacer
7921	105FX	Bail Spring	12345	10PN1	Set Screw	15726	10445	Handle Knob
7922	1077C	Bail Spring Seat	12356	1051S	Bearing Retainer	15727	10B2B	Handle Knob Seal
8002	10LZ2	Screw	12360	10J7K	Washer	15729	10HAF	Oscillating Pawl Cover
8074	107F2	Bearing Water Proof	12376	106V4	Oscillating Pawl	15730	10JXN	Oscillating Slider Bushing
8122	10MGD	Screw	13189	104PT	Ball Bearing	15731	10NF1	Main Shaft Assembly
8144	10ML2	Screw	13317	10LAB	O Ring	15732	10NKN	Rear Protector
8286	108WC	O Ring	13381	104JT	Ball Bearing	15733	107HE	Rear Shield
9847	10CYU	Screw	15415	10QPS	Roller Clutch Assembly	15734	10AT6	Worm Shaft Retainer
9849	106ZG	Screw	15684	102E3	Drag Knob	15735	10H45	Worm Shaft Retainer Washer
9903	108WA	O Ring	15685	10NFD	Bearing Support	15736	10CJX	Worm Shaft Ring
9968	108W9	O Ring	15686	109ZL	Drag Cover I.D. Plate	15737	1081Z	Worm Shaft
10155	10HWN	Spacer	15687	10MPR	Screw	15738	1035C	Oscillating Guide
10424	105BN	Ball Bearing	15689	10K2Z	Rotor Nut Lock Plate	15739	10AYK	Rear Protector Collar
10441	104JS	Ball Bearing	15690	1080Y	Rotor Nut	15751	10BYN	Pinion Gear
10624	10BUK	Spool Washer	15691	108WF	O Ring	15752	10CNK	Idle Gear B L
11018	10PDA	Ball Bearing	15692	1079Y	Line Roller Plate	15753	10A9B	Drive Gear
11109	104VP	Ball Bearing	15693	107RL	Line Roller Bushing	15754	10NHD	Handle Shaft Cover
11578	10PC0	Ball Bearing	15694	10KUS	Line Roller	15755	106SD	Handle Shank Assembly
11603	10HV3	Washer	15695	107XB	Line Roller Plate B	15756	10HLE	Handle Assembly
11633	10LSC	Screw	15696	106KG	Bail Trip Lever	15758	10N4Z	Handle Screw Cap
11649	106ZD	Click Pin	15697	1087U	Bail Spring Cover	15759	10HQB	Spool Assembly
11661	10G6J	Roller Clutch Outer Spacer	15698	10KH9	Bail Arm	15761	1034R	Body
11663	104FW	Friction Ring	15699	10K5A	Screw Collar	15762	10BBU	Pinion Gear Collar
11665	107DX	Bail Trip Strike	15700	10PVZ	Rotor	15945	10G8C	Washer
11706	10KX1	Ball Bearing	15701	10MN7	Bail Hold Support Guard	16370	10GD5	Spacer
12096	104Q6	Ball Bearing	15702	10Q3E	Line Roller Support	16398	10CD1	Bearing Water Proof
12319	10B88	Drag Washers Retainer	15703	106Z9	Bail Assembly	16699	10A9R	Screw
12320	10LWR	Thrust Bushing	15704	10743	Rotor Guard A	17398	105LU	Bail Spring Guide A
12322	10B9Z	Key Washer	15705	107AE	Rotor Guard B	19754	10DKJ	Washer
12323	10BE8	Eared Washer	15706	10HFX	Roller Clutch Cover			
12324	1031R	Drag Washer	15707	10CFY	O Ring			
12325	10AHH	Spool Bushing	15708	10QRM	Roller Clutch Water Proof Set			
12326	10JJU	Drag Click Holder	15710	10AYR	Body Flange Seal	15742	109UV	Line Band S (Accessory)
12327	109HE	Drag Click Holder Cover	15711	10CL6	Idle Gear B Shaft	16003	10LQ1	Ssro-01 Oil (Accessory)

Please note that the number of adjusting washers may not be the same as shown in the exploded views.  
(Adjustment will vary with each individual product.)