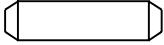




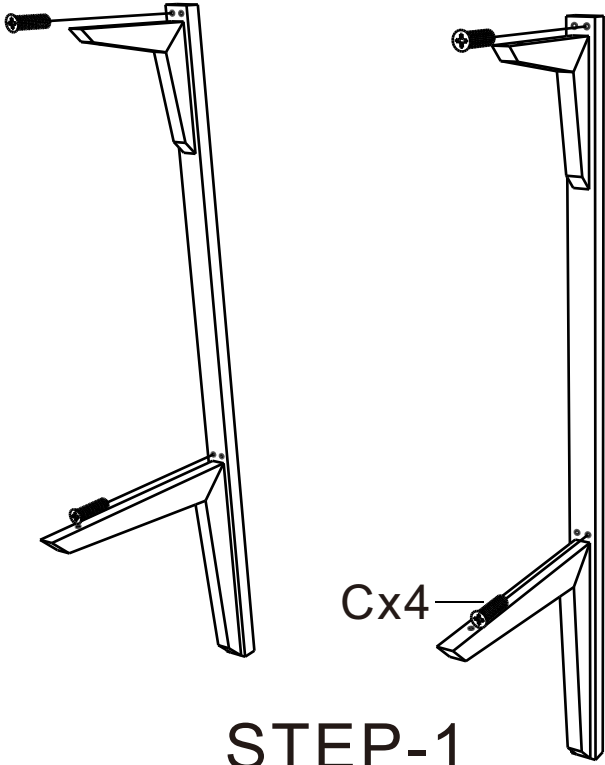
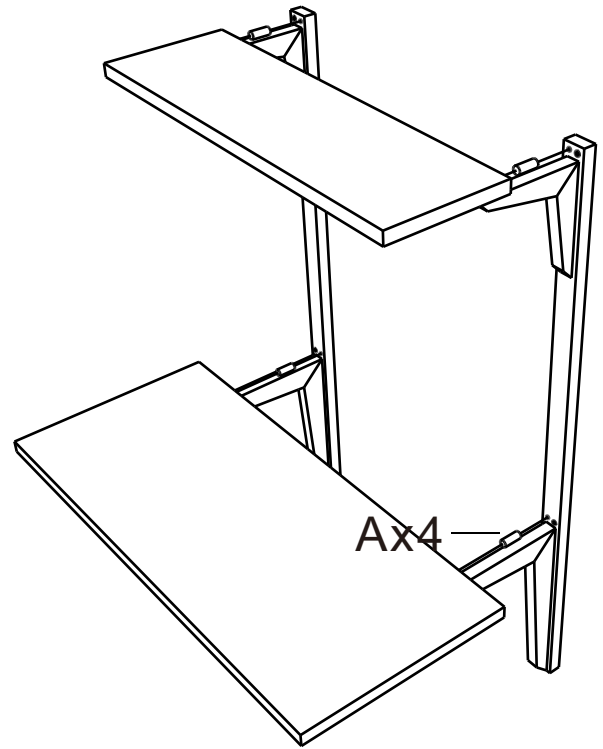


A	Dowel		4pcs
B	Screw		4pcs
C	Anchor		4pcs

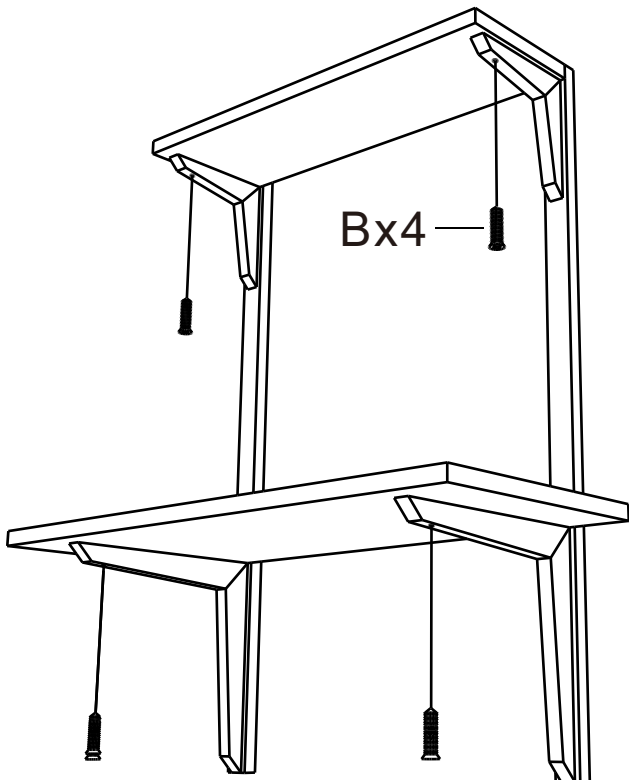
1		2pcs
2		2pcs



STEP-1



STEP-2



STEP-3