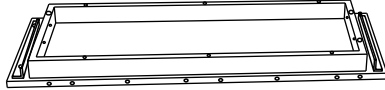
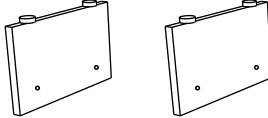
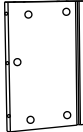

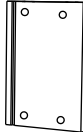
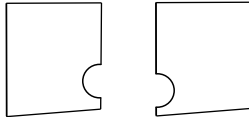
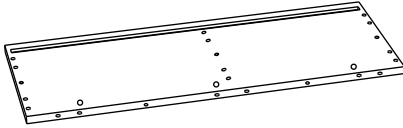
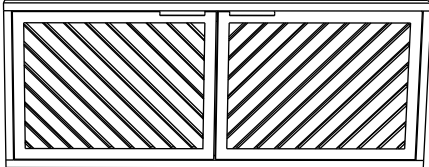




ASSEMBLY INSTRUCTIONS


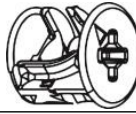

Mezzeta 2- Door Low Media Cabinet

PART LIST :-

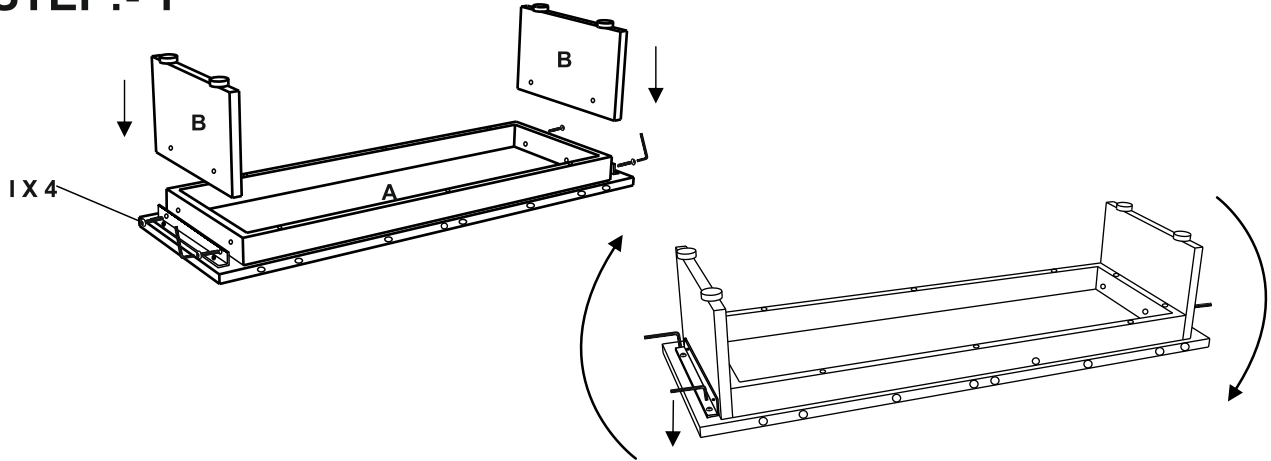
NO.	DESCRIPTION	IMAGE	QTY
A	BOTTOM		1
B	LEGS		2
C	LEFT SIDE PANNEL		1
D	RIGHT SIDE PANNEL		1
E	CENTER PANNEL		1
F	BACK		2
G	TOP		1
H	FRAME WITH PRE-ATTACHED DOOR		1

HARDWARE LIST :-

NO.	DESCRIPTION	IMAGE	QTY
I	ALLEN SCREWS	 M6X30	4
J	DOWEL	 8x40mm	32

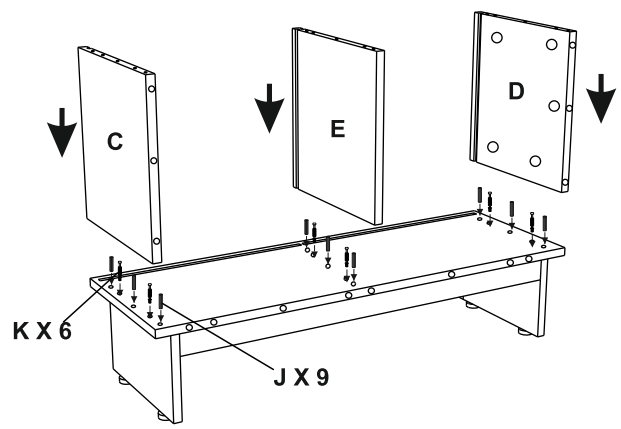
K	MINIFIX	 10x40mm	20
L	CAMLOCK	 12x15mm	20
M	ALLEN KEY		1

STEP:- 1

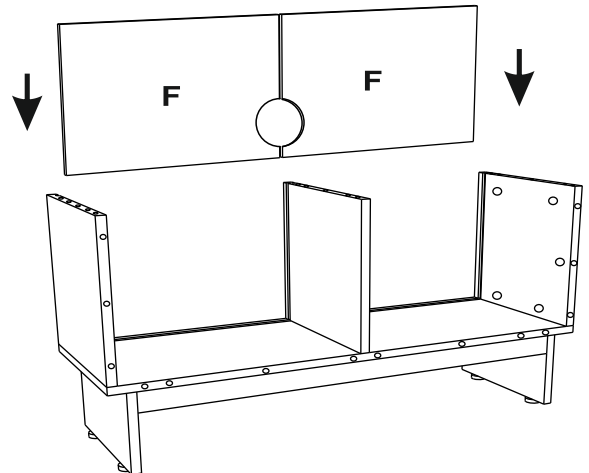


Install the leg and retighten screws on the bracket.

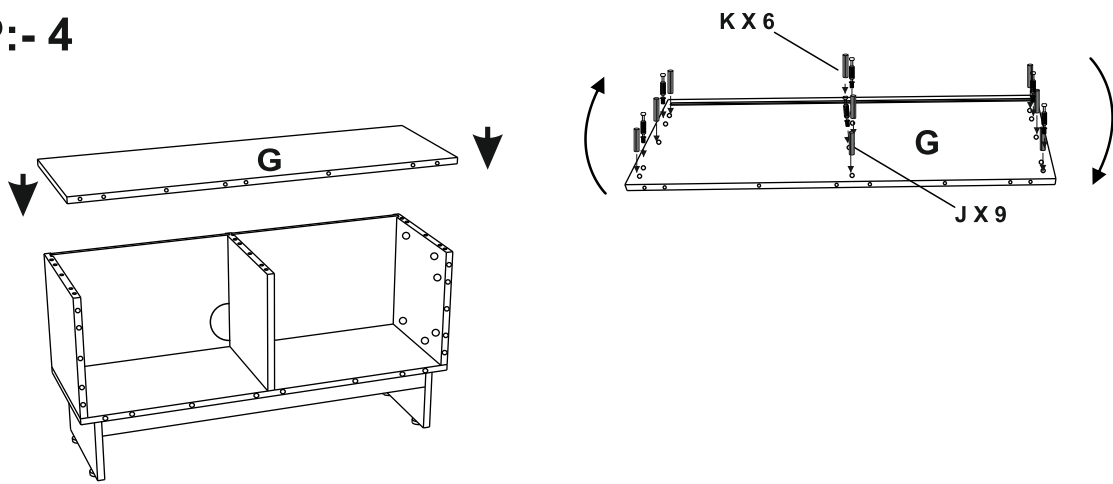
STEP:- 2



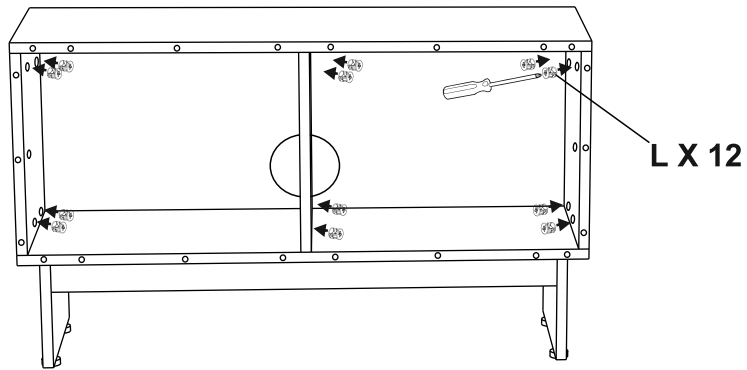
STEP:- 3



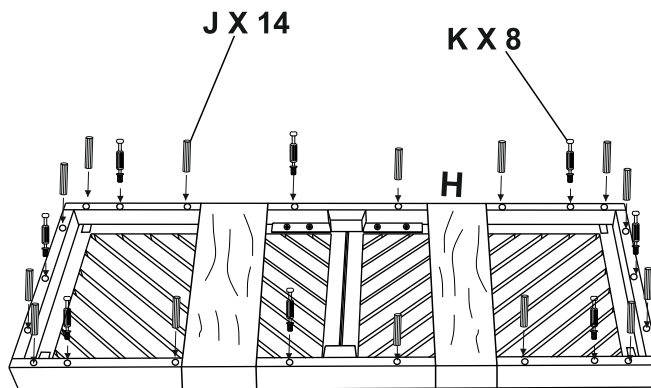
STEP:- 4



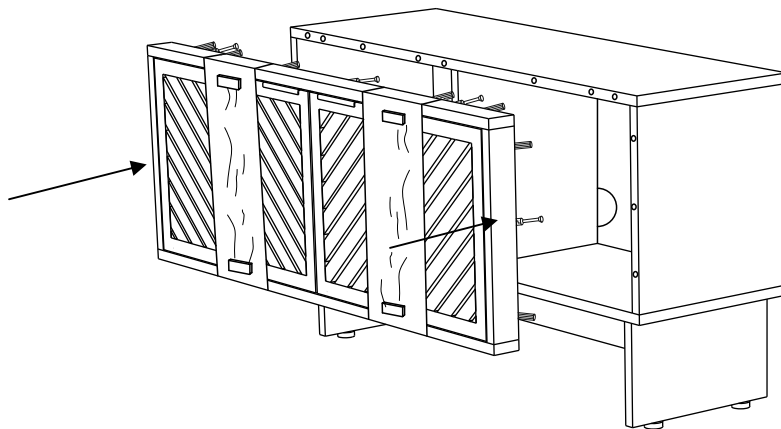
STEP:- 5



STEP:- 6

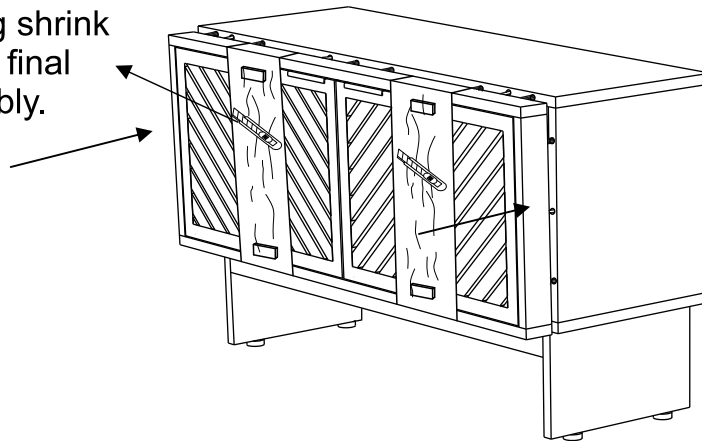


STEP:- 7

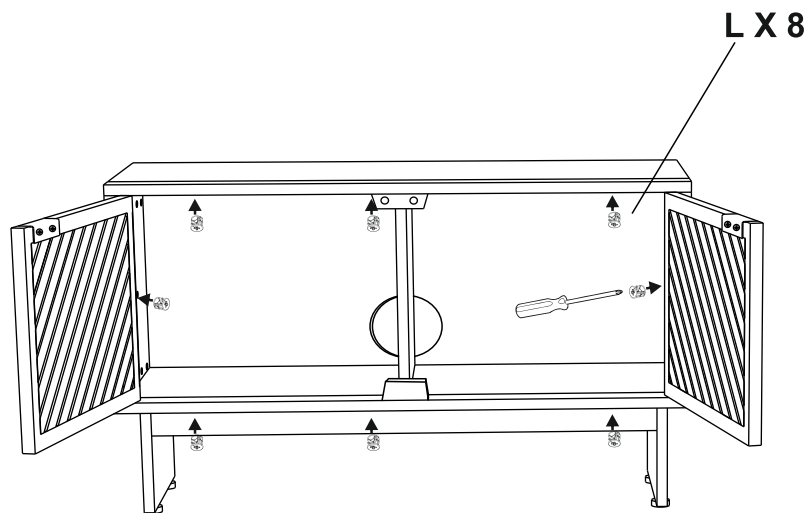


STEP:- 8

Use Paper Cutter
for removing shrink
wrap before final
door assmebly.



STEP:- 9



STEP:- 10

