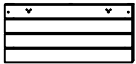


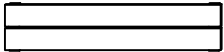
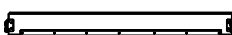


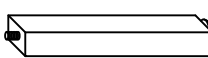





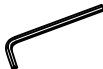





ASSEMBLY INSTRUCTIONS

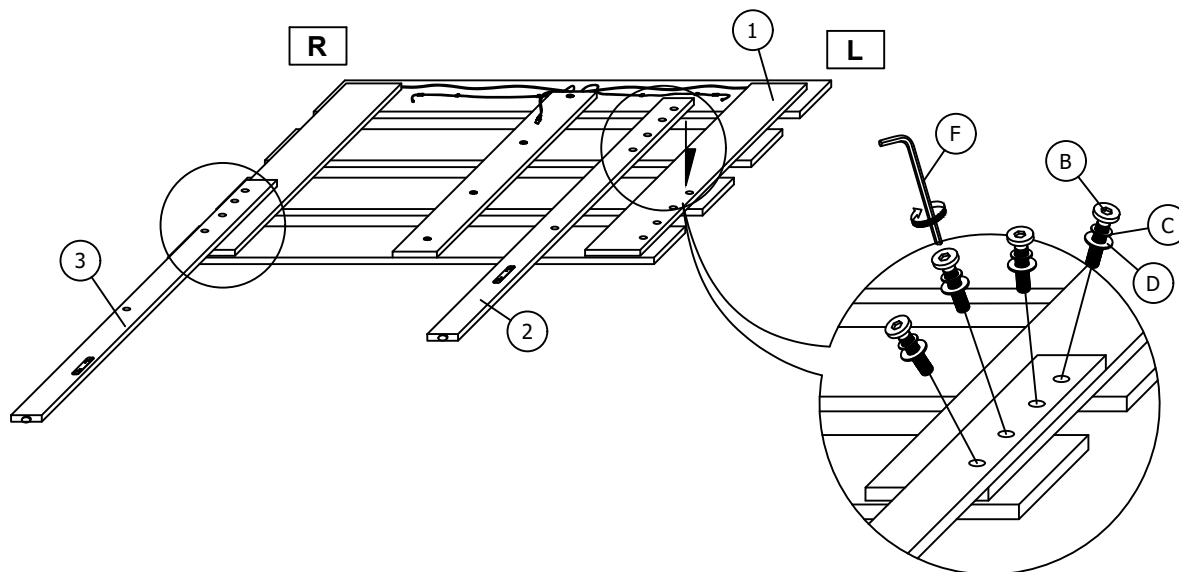
B6303-115 MISTY LODGE 6/6 EK HB,FB, & SLATS
 B6303-215 MISTY LODGE 6/0 WK HB,FB, & SLATS
 B6303-235 MISTY LODGE 6/0 WK SIDE RAILS
 B6303-335 MISTY LODGE 6/6-5/0 EK/Q SIDE RAILS

Thank you for purchasing this quality product. Be sure to check all packing materials carefully for small parts, which may have come loose inside the carton during shipment. Identify and count all items and compare with the parts list and/or hardware list shown below.

PART LIST			
ITEM	DESCRIPTION	SKETCH	QTY
1	HEADBOARD		1 PC
2	HEADBOARD SUPPORT RAIL(L)		1 PC
3	HEADBOARD SUPPORT RAIL(R)		1 PC
4	FOOTBOARD		1 PC
5	SIDE RAIL		2 PCS
6	SLAT		4 PCS
7	HEADBOARD LEG SUPPORT WOOD		1 PC
8	CENTER SUPPORT LEG		8 PCS

HARDWARE LIST				
ITEM	DESCRIPTION	SKETCH	SIZE	QTY
A	JCBB SCREW		M8 x 5/8"	8 PCS
B	JCBB SCREW		M8 x 1 4/8"	10 PCS
C	SPRING WASHER		M8 x 6/8"	10 PCS
D	FLAT WASHER		M8 x 7/8"	10 PCS
E	CSK C/B SCREW		M4 x 1 2/8"	8 PCS
F	ALLEN KEY		M5	1 PC
G	LAMP		-	2 PCS
H	PLUG		-	1 PC
I	WRENCH		-	1 PC

STEP 1



IMPORTANT NOTE :

- * Place all wooden parts on a clean and smooth surface such as a rug or carpet to avoid the parts from being scratched.
- * Check to be sure that you have all parts and hardware.
- * Remove all wrapping materials, including staples & packing straps before you start to assemble.
- * Do not tighten all screws/bolts until all completely assembled.
- * Keep all hardware parts out of reach of children.

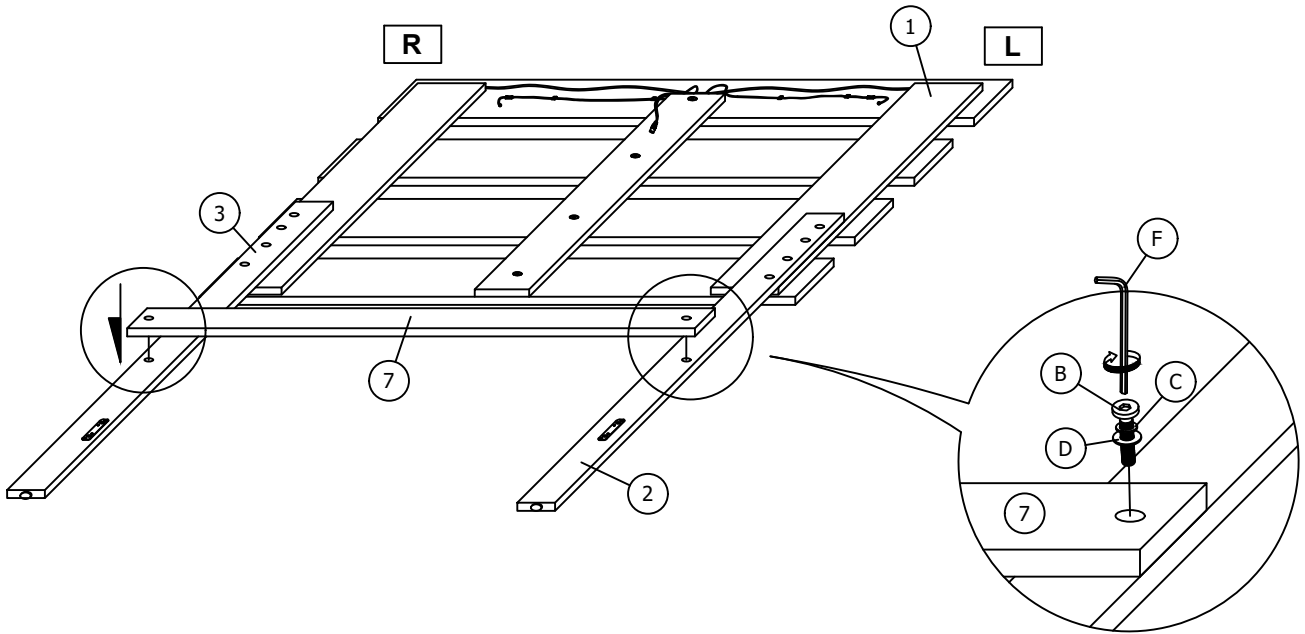


New
Classic
FURNITURE

ASSEMBLY INSTRUCTIONS

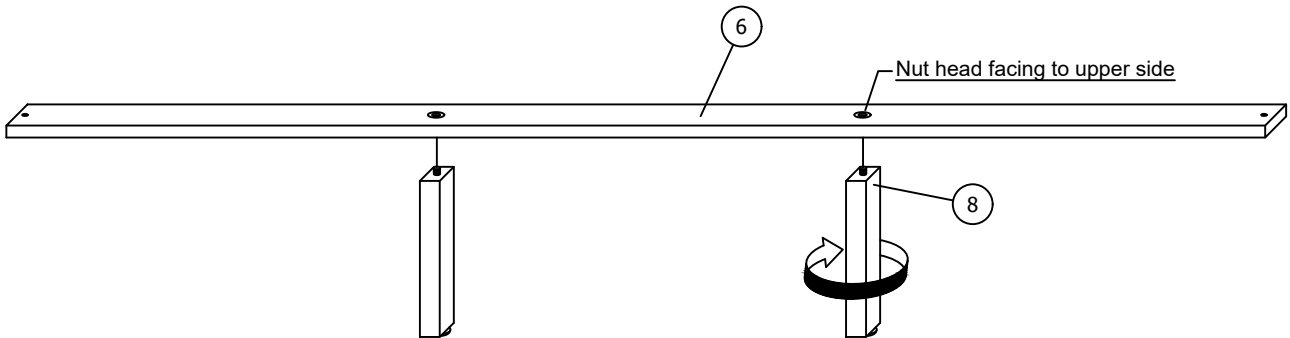
B6303-115 MISTY LODGE 6/6 EK HB,FB, & SLATS
B6303-215 MISTY LODGE 6/0 WK HB,FB, & SLATS
B6303-235 MISTY LODGE 6/0 WK SIDE RAILS
B6303-335 MISTY LODGE 6/6-5/0 EK/Q SIDE RAILS

STEP 2



STEP 3

X 4



IMPORTANT NOTE :

- * Place all wooden parts on a clean and smooth surface such as a rug or carpet to avoid the parts from being scratched.
- * Check to be sure that you have all parts and hardware.
- * Remove all wrapping materials, including staples & packing straps before you start to assemble.
- * Do not tighten all screws/bolts until all completely assembled.
- * Keep all hardware parts out of reach of children.



New
Classic
FURNITURE

ASSEMBLY INSTRUCTIONS

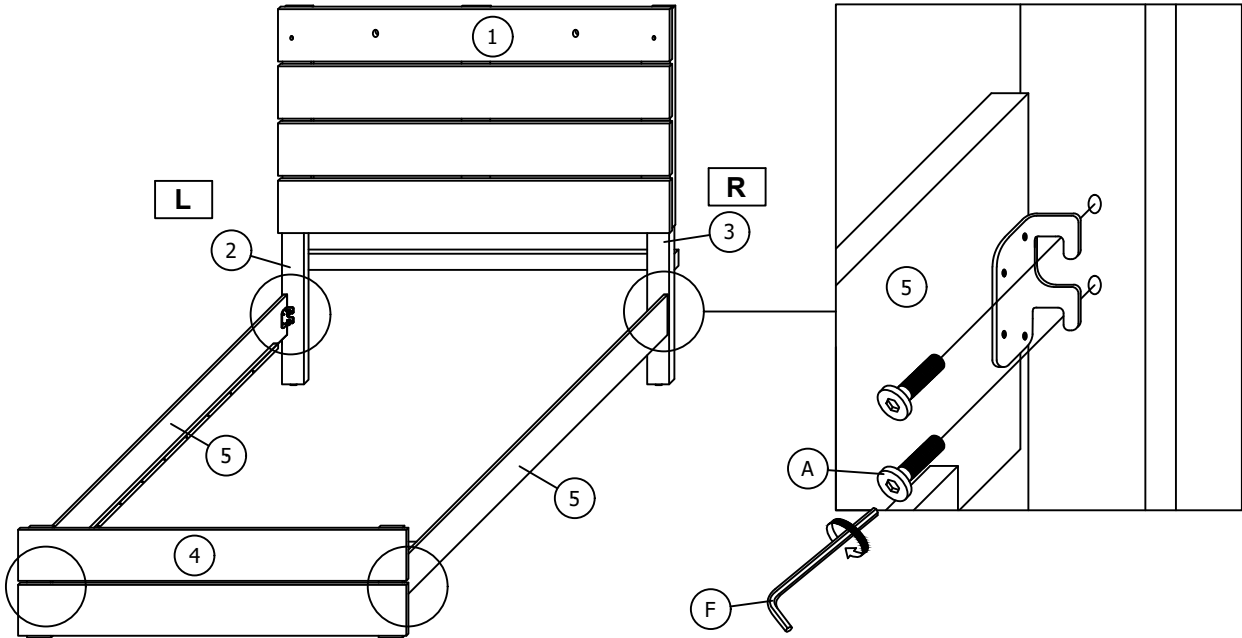
B6303-115 MISTY LODGE 6/6 EK HB,FB, & SLATS

B6303-215 MISTY LODGE 6/0 WK HB,FB, & SLATS

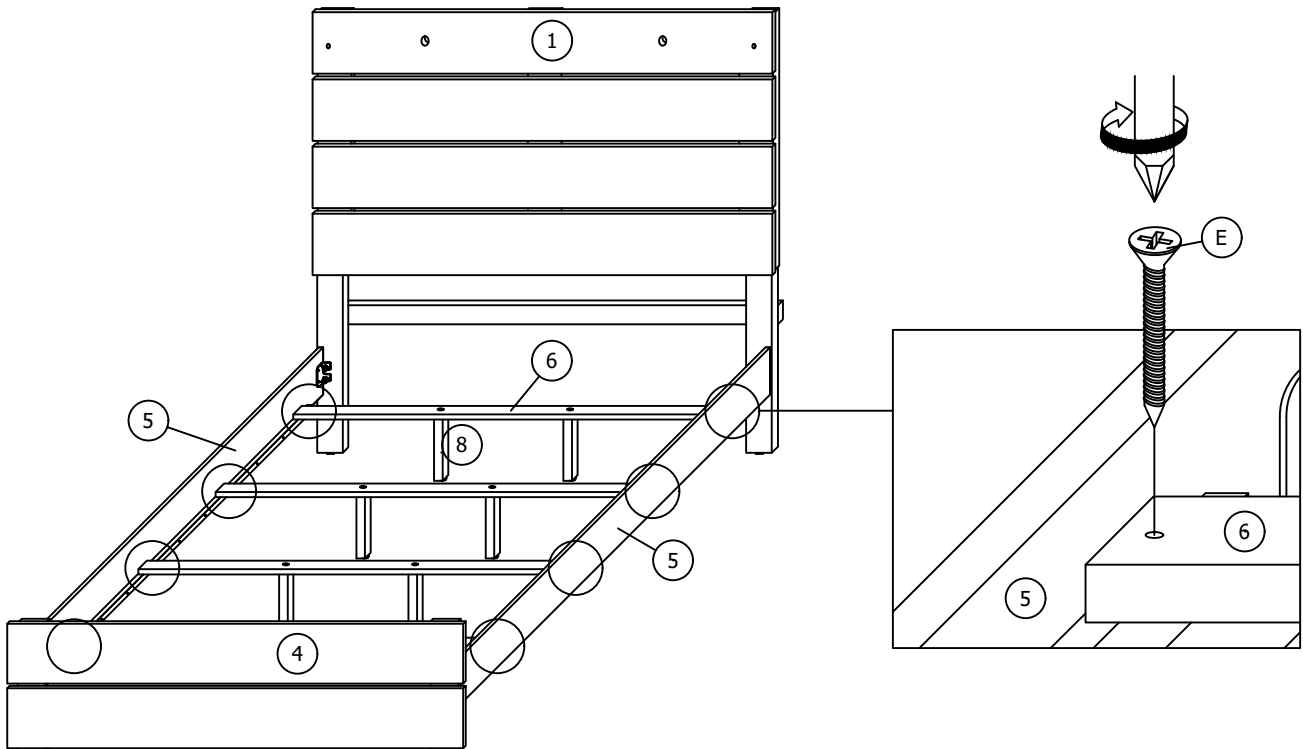
B6303-235 MISTY LODGE 6/0 WK SIDE RAILS

B6303-335 MISTY LODGE 6/6-5/0 EK/Q SIDE RAILS

STEP 4



STEP 5



IMPORTANT NOTE :

- * Place all wooden parts on a clean and smooth surface such as a rug or carpet to avoid the parts from being scratched.
- * Check to be sure that you have all parts and hardware.
- * Remove all wrapping materials, including staples & packing straps before you start to assemble.
- * Do not tighten all screws/bolts until all completely assembled.
- * Keep all hardware parts out of reach of children.



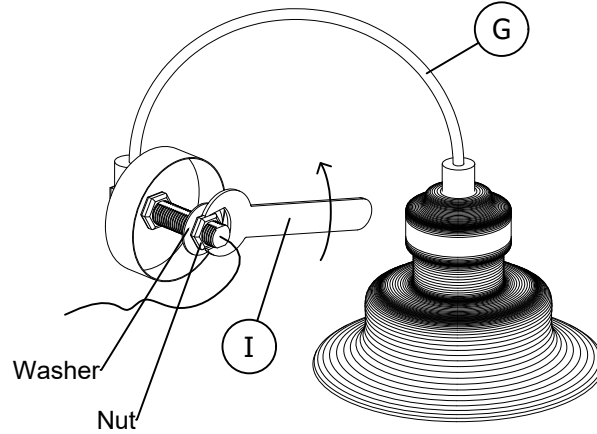
New
Classic
FURNITURE

ASSEMBLY INSTRUCTIONS

B6303-115 MISTY LODGE 6/6 EK HB,FB, & SLATS
B6303-215 MISTY LODGE 6/0 WK HB,FB, & SLATS
B6303-235 MISTY LODGE 6/0 WK SIDE RAILS
B6303-335 MISTY LODGE 6/6-5/0 EK/Q SIDE RAILS

STEP 6

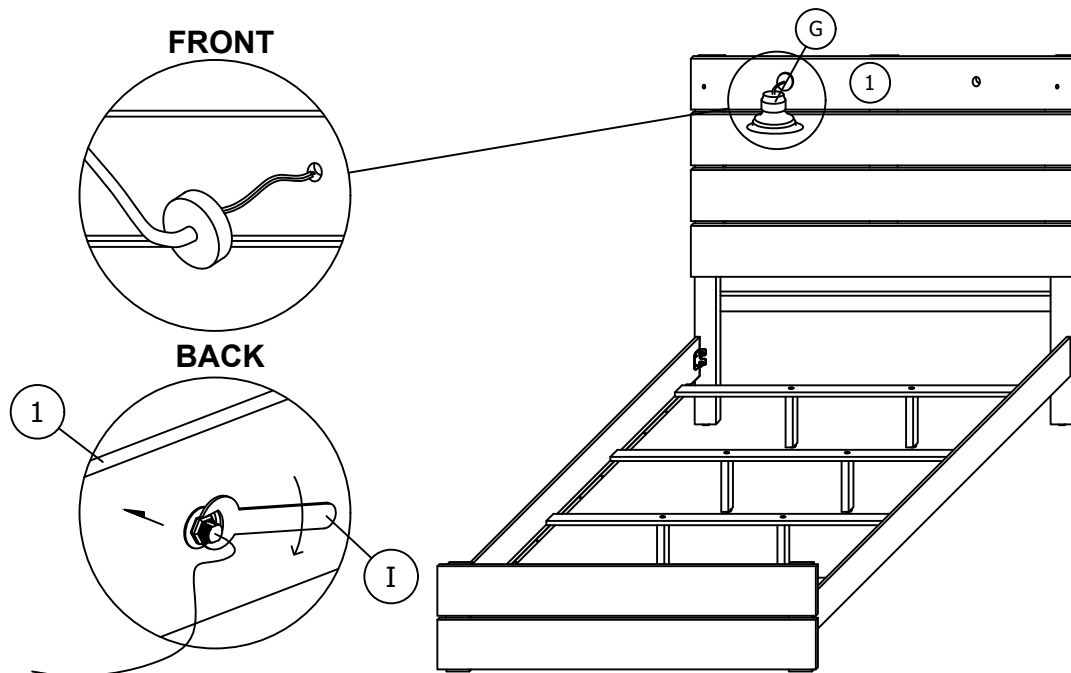
Take the Lamp (G) out from the box and remove the nut and washer.



STEP 7

Feed the wire of the lamp (G) through the hole from the front of the headboard (1).

Then, lock the lamp (G) in position at the back of the headboard (1) by screwing on the washer and nut that was removed in STEP 6.



IMPORTANT NOTE :

- * Place all wooden parts on a clean and smooth surface such as a rug or carpet to avoid the parts from being scratched.
- * Check to be sure that you have all parts and hardware.
- * Remove all wrapping materials, including staples & packing straps before you start to assemble.
- * Do not tighten all screws/bolts until all completely assembled.
- * Keep all hardware parts out of reach of children.



New
Classic
FURNITURE

ASSEMBLY INSTRUCTIONS

B6303-115 MISTY LODGE 6/6 EK HB,FB, & SLATS

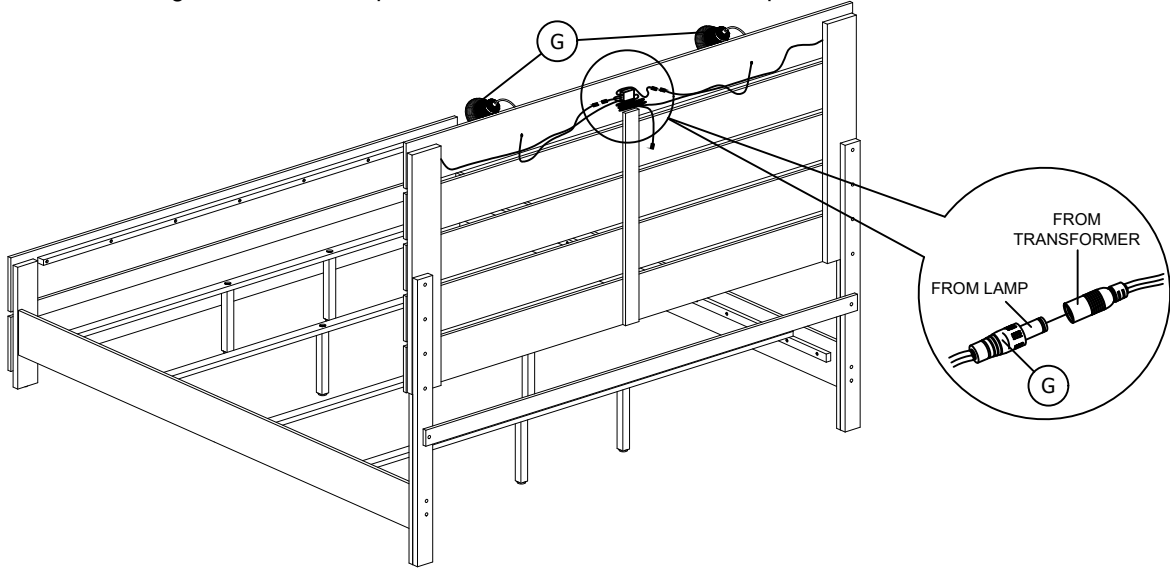
B6303-215 MISTY LODGE 6/0 WK HB,FB, & SLATS

B6303-235 MISTY LODGE 6/0 WK SIDE RAILS

B6303-335 MISTY LODGE 6/6-5/0 EK/Q SIDE RAILS

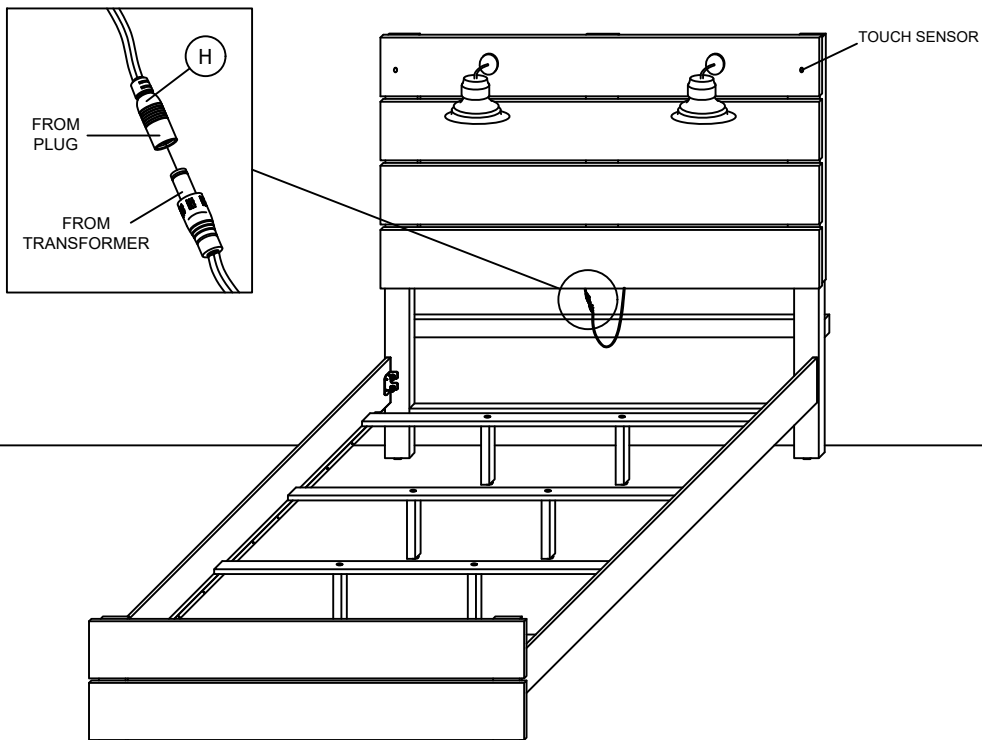
STEP 8

Connect the wire from the lamp (G) with the wire on the transformer at the back of the headboard (1). Please repeat STEP 6 through STEP 8 to complete the installation of the 2nd lamp.



STEP 9

Connect the wire from the plug (H) with the wire on the transformer at the back of the headboard (1).



ASSEMBLY COMPLETED

IMPORTANT NOTE :

- * Place all wooden parts on a clean and smooth surface such as a rug or carpet to avoid the parts from being scratched.
- * Check to be sure that you have all parts and hardware.
- * Remove all wrapping materials, including staples & packing straps before you start to assemble.
- * Do not tighten all screws/bolts until all completely assembled.
- * Keep all hardware parts out of reach of children.