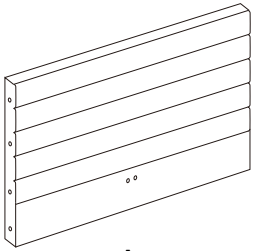


# FRANK UPHOLSTERED WING BED FULL/QUEEN ASSEMBLY INSTRUCTIONS



## BOX#1

- A. HEADBOARD PANEL 1 PC
- B. LEFT HEADBOARD WING 1 PC
- C. RIGHT HEADBOARD WING 1 PC



A



B



C

## HARDWARE KIT PACKED IN BOX #1

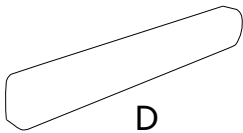
1	ALLEN BOLT(5/16"x1-3/4")		8 PCS
2	FLAT WASHER(3/4")		8 PCS
3	LOCK WASHER(5/16")		8 PCS
4	ALLEN KEY(5/16")		1 PC

## HARDWARE KIT PACKED IN BOX #2

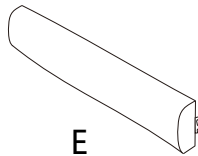
1	ALLEN BOLT(5/16"x1-1/4")		4 PCS
2	ALLEN BOLT(5/16"x2-1/2")		2 PCS
3	FLAT WASHER(3/4")		6 PCS
4	LOCK WASHER(5/16")		6 PCS
5	ALLEN KEY(5/16")		1 PC

## BOX#2

- D. FOOTBOARD 1 PC
- E. SIDE RAIL 2 PCS
- F. SLAT 26 PCS
- G. CENTER SLAT SUPPORT 1 PC
- H. SIDE RAIL SLAT CLIP 26 PCS
- I. CENTER SUPPORT SLAT CLIP 13 PCS
- J. SLAT SUPPORT LEG 2 PCS



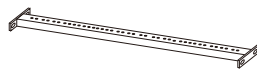
D



E



F



G



H

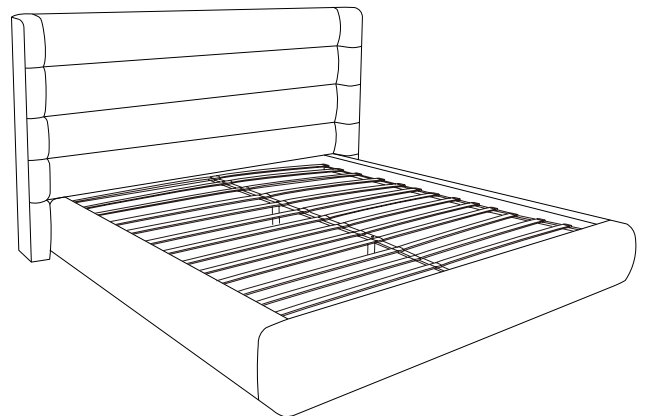


I



J

## FULLY ASSEMBLED

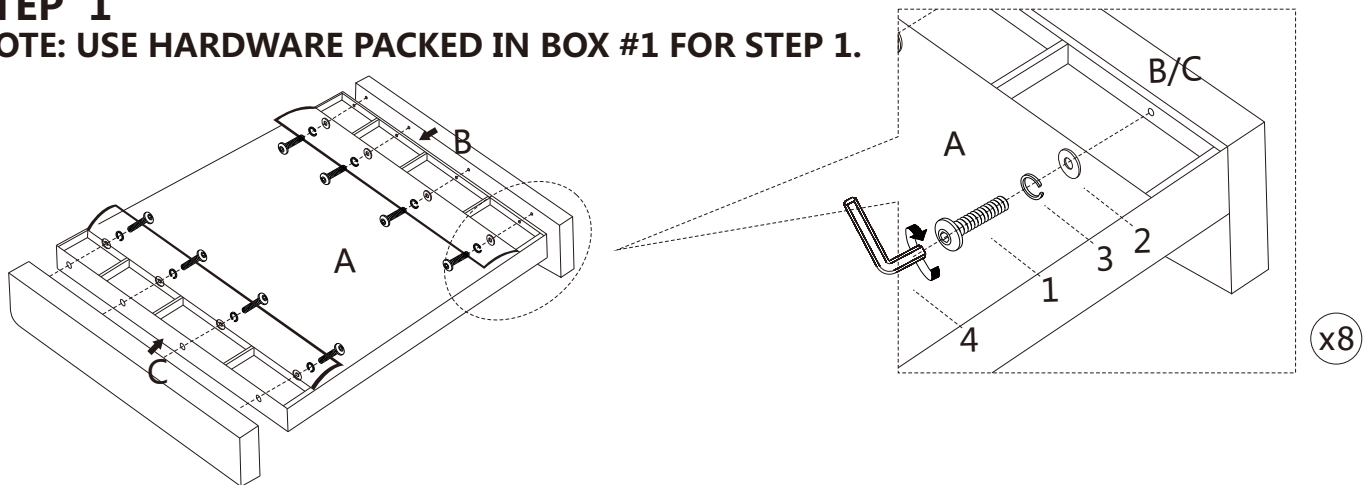


# FRANK UPHOLSTERED WING BED FULL/QUEEN ASSEMBLY INSTRUCTIONS



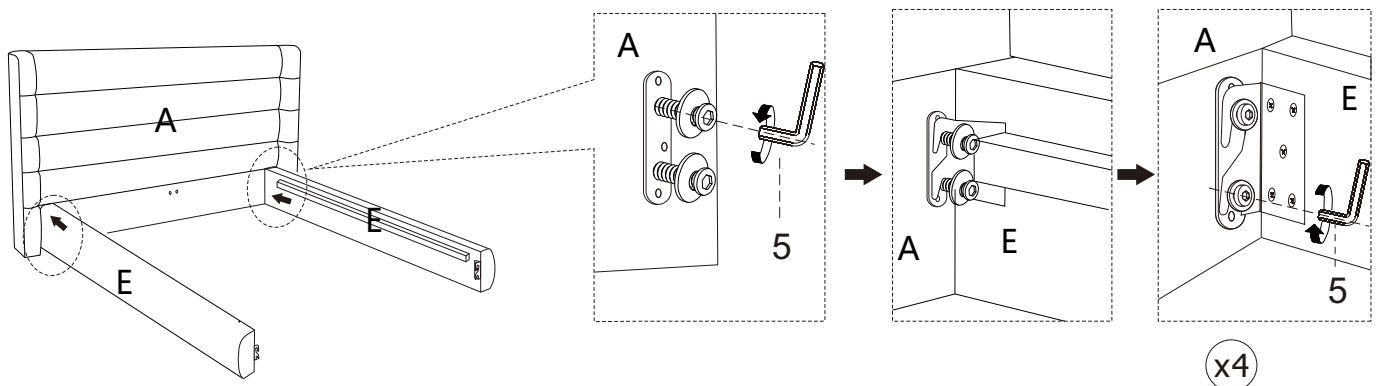
## STEP 1

NOTE: USE HARDWARE PACKED IN BOX #1 FOR STEP 1.

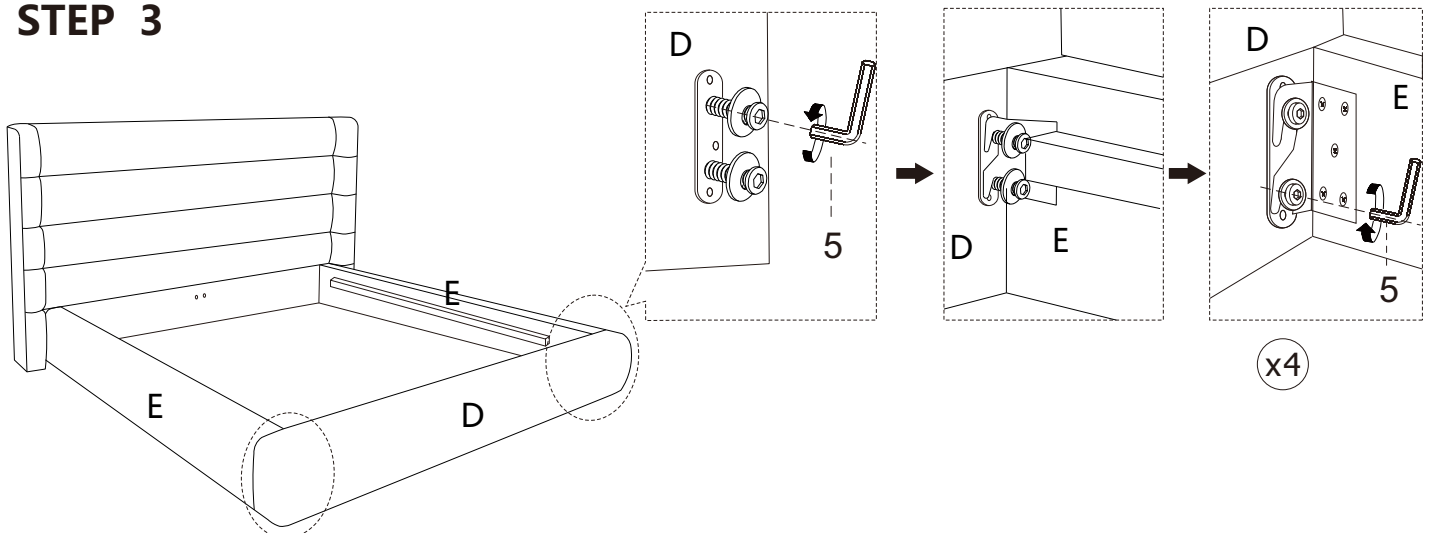


## STEP 2

NOTE: USE HARDWARE PACKED IN BOX #2 FOR STEP 2 AND ALL STEPS THAT FOLLOW.



## STEP 3



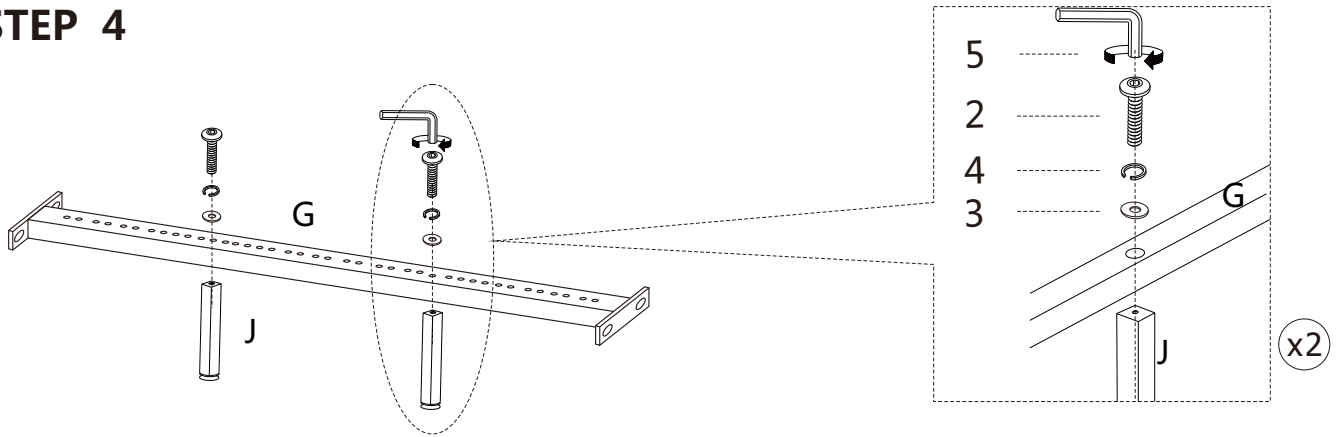
### STOP

- IF USING BED WITH AN ADJUSTABLE MATTRESS BASE, SKIP STEPS 4, 5, 6, & 7 AND REFERENCE APPENDIX A: ADJUSTABLE MATTRESS BASE ASSEMBLY SUPPLEMENT. IF USING BED FRAME WITH STANDARD BOX SPRING OR FOUNDATION, CONTINUE TO STEP 4.

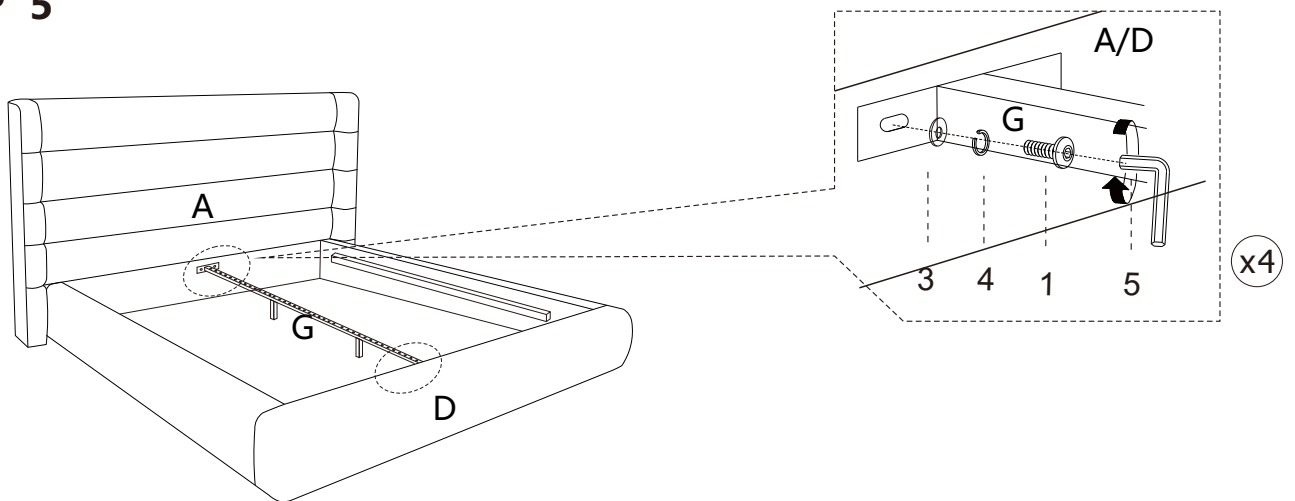
# FRANK UPHOLSTERED WING BED FULL/QUEEN ASSEMBLY INSTRUCTIONS



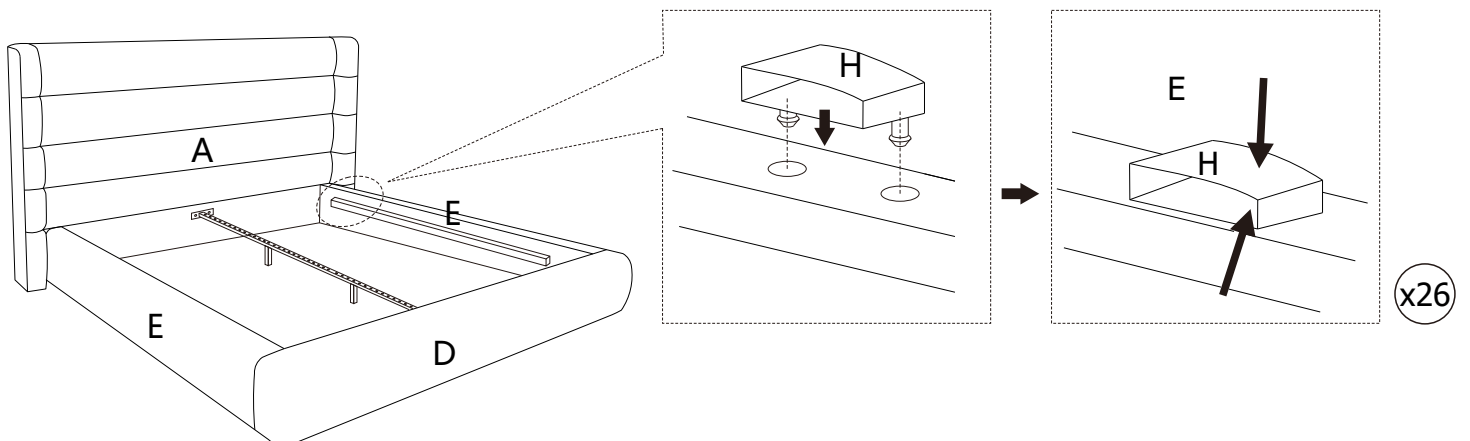
## STEP 4



## STEP 5



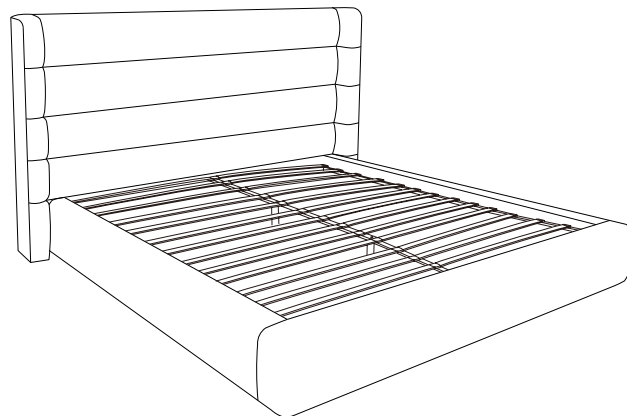
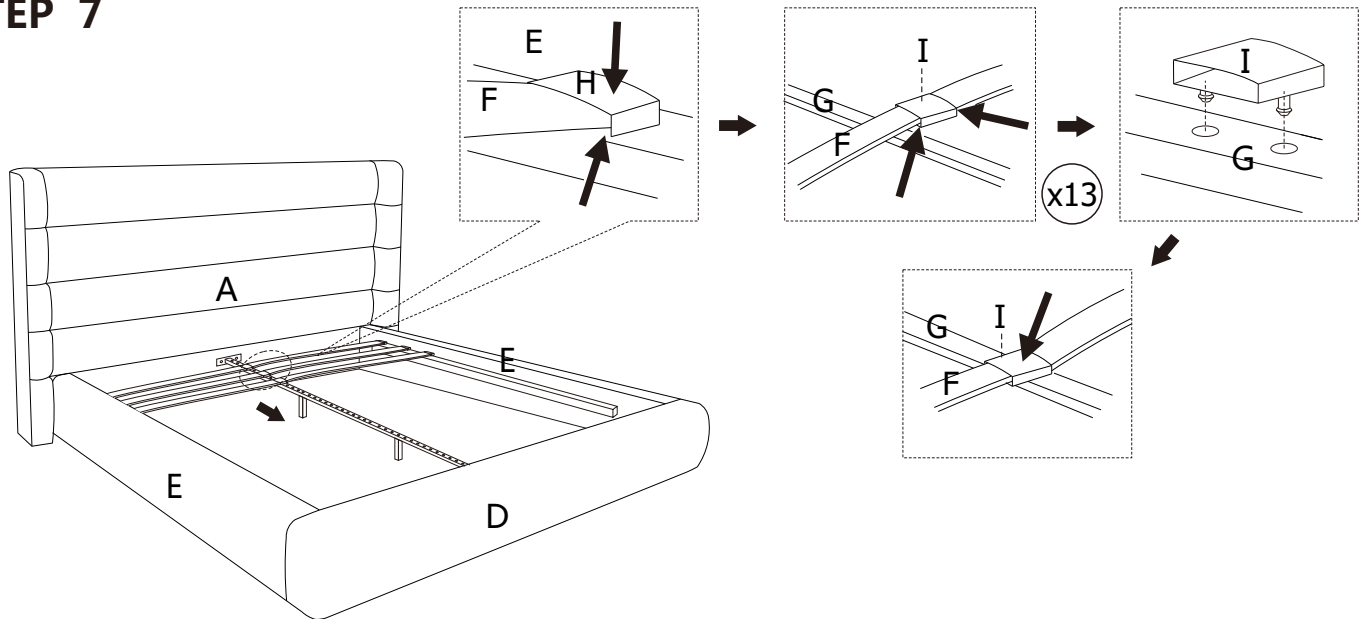
## STEP 6: STARTING FROM HEADBOARD



# FRANK UPHOLSTERED WING BED FULL/QUEEN ASSEMBLY INSTRUCTIONS



## STEP 7



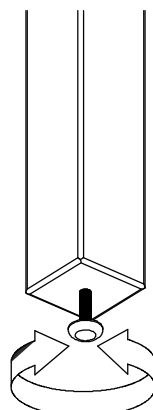
## ASSEMBLY COMPLETE.

### INSTRUCTIONS FOR ADJUSTING LEVELERS:

POSITION THE BED IN YOUR ROOM.  
LOCATE LEVELERS UNDER EACH  
SUPPORT LEG ( J ).

TURN COUNTER-CLOCKWISE TO  
EXTEND, CLOCKWISE TO RETRACT.

ADJUST LEVELERS UNTIL EACH LEG  
SUPPORT IS APPLYING EQUAL UPWARD  
PRESSURE ON THE CENTER SLAT.



### MAINTENANCE INSTRUCTIONS:

- PERIODICALLY CHECK ALL FITTINGS AND TIGHTEN IF NECESSARY, AS THEY CAN LOOSEN OVER TIME.
- ALWAYS REMOVE BOX SPRING AND MATTRESS BEFORE MOVING THE BED.
- LIFT THE BED WHEN MOVING IT. DRAGGING THE BED CAN DAMAGE THE CENTER SUPPORT.
- READJUST LEVELERS AFTER MOVING THE BED.

# FRANK UPHOLSTERED WING BED FULL/QUEEN ASSEMBLY INSTRUCTIONS



## APPENDIX A:ADJUSTABLE MATTRESS BASE ASSEMBLY SUPPLEMENT

AN ADJUSTABLE MATTRESS BASE IS A FREESTANDING MATTRESS SUPPORT THAT SITS WITHIN THE PERIMETER OF THE BED FRAME.

IF USING THIS BED FRAME WITH A STANDARD BOX SPRING OR FOUNDATION THESE INSTRUCTIONS DO NOT APPLY.

PRE-ASSEMBLED SIDE RAIL CLEATS OBSTRUCT ADJUSTABLE BASE INSTALLATION AND OPERATION. FOLLOW THESE INSTRUCTIONS TO REMOVE THEM.

### **WARNING!**

SIDE RAIL CLEATS ARE HELD IN PLACE USING PHILLIPS HEAD SCREWS. ONCE THEY ARE REMOVED THE USER WILL NOT BE ABLE TO SAFELY RE-INSTALL THE SIDE RAIL CLEATS FOR FUTURE USE WITH A STANDARD BOX SPRING OR FOUNDATION.

### THE FOLLOWING PARTS ARE NOT REQUIRED FOR ADJUSTABLE MATTRESS BASE INSTALLATION:

F. SLAT	26 PCS
G. CENTER SLAT SUPPORT	1 PC
H. SIDE RAIL SLAT CLIP	26 PCS
I. CENTER SUPPORT SLAT CLIP	13 PCS
J. SLAT SUPPORT LEG	2 PCS

### STEP 1 :

USE A PHILLIPS HEAD SCREWDRIVER (NOT PROVIDED) TO UNSCREW THE PHILLIPS SCREWS AND REMOVE THE PRE-ASSEMBLED SIDE RAIL CLEATS.

