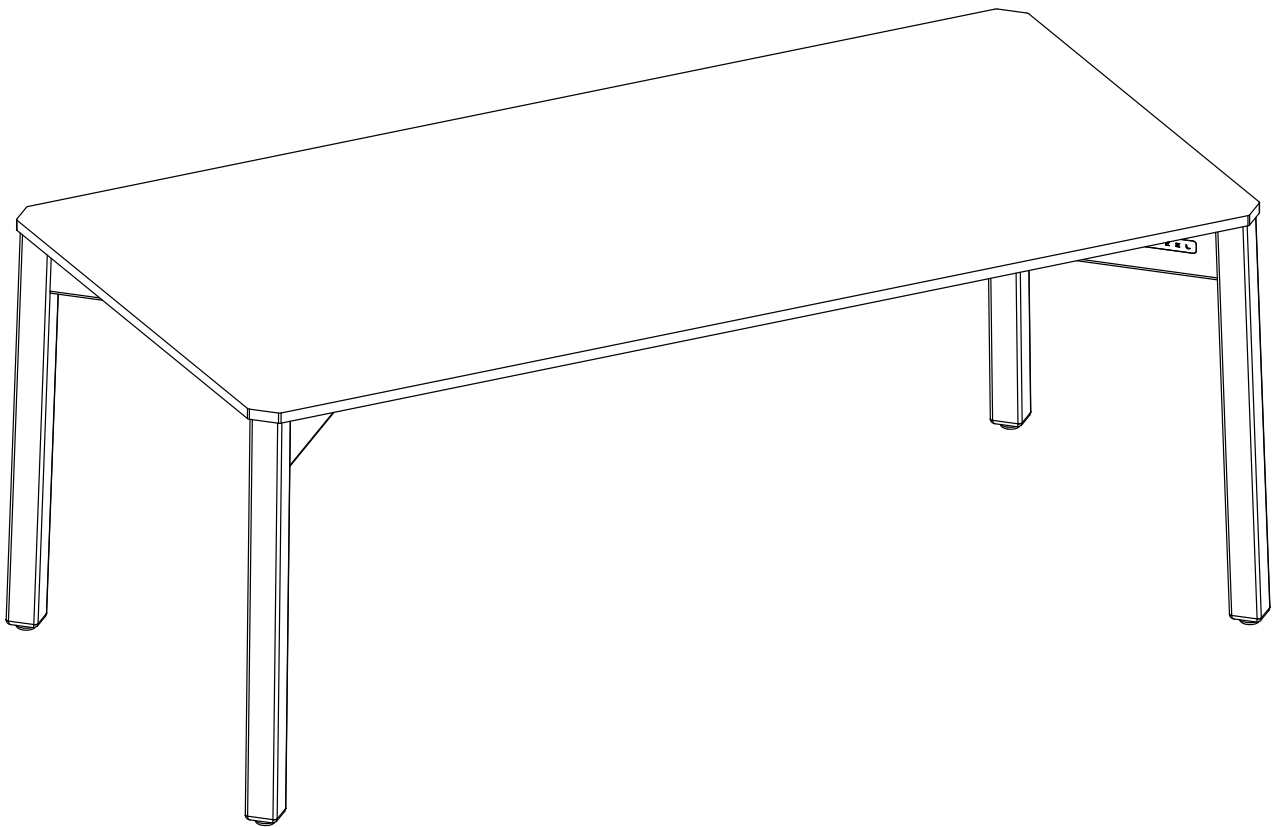


FLEXSTEEL®  
OUTDOOR LIVING



G6300-031

# Coffee Table

Assembly instructions

Thank you for bringing Flexsteel furniture to your outdoor space.

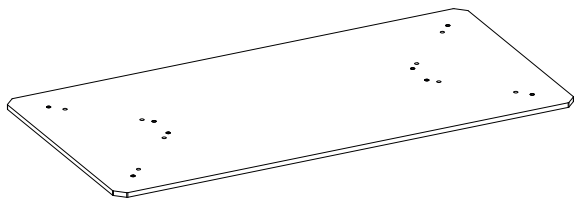
Below are the step-by-step instructions to assemble your new product. Additionally, we have provided an assembly video that you can access through the QR code on the right.

All the parts and tools are included. Let's get started!

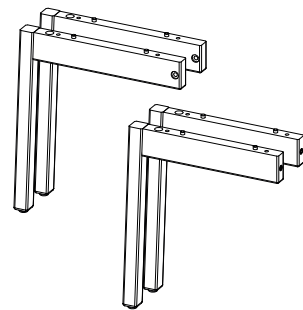


## PART LIST:

---



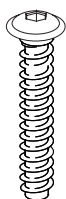
1x table top



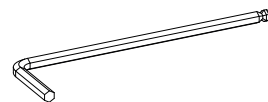
4x legs

## FITTINGS AND TOOLS:

---



8x long screw



1x hex key with ball ending



2x short screw

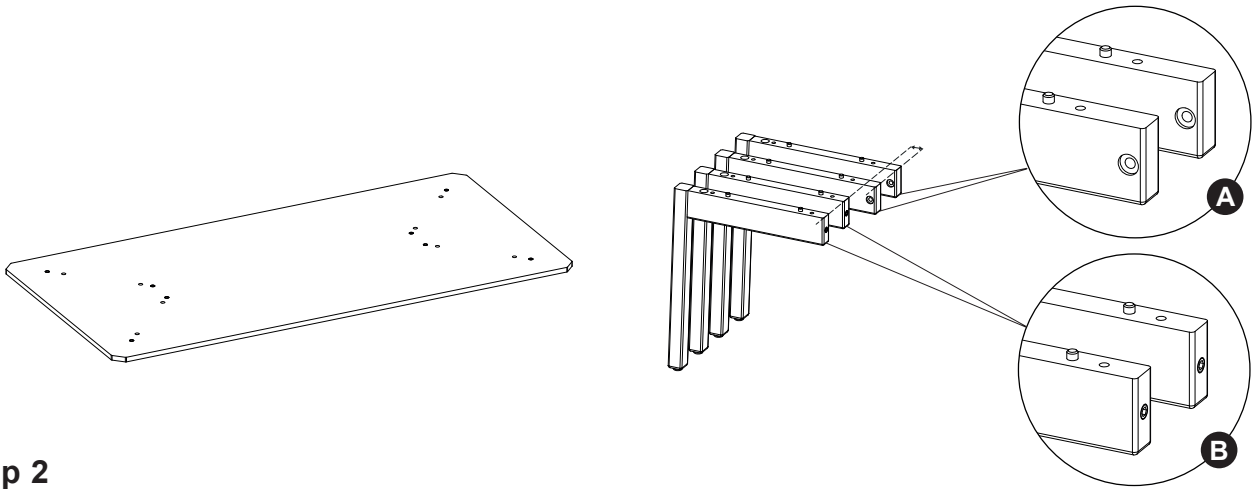
**Important Notice:** Solid wood furniture is susceptible to natural contractions with changes in humidity and temperature. For smooth assembly, **avoid fully tightening screws initially**; position them first, then gradually tighten all screws evenly once assembly is near completion.

Prior to assembly, secure the floor to prevent any scratches on the tabletop.

## Step 1

Lay the tabletop on a flat surface with the bottom side facing up. Observe two types of legs:

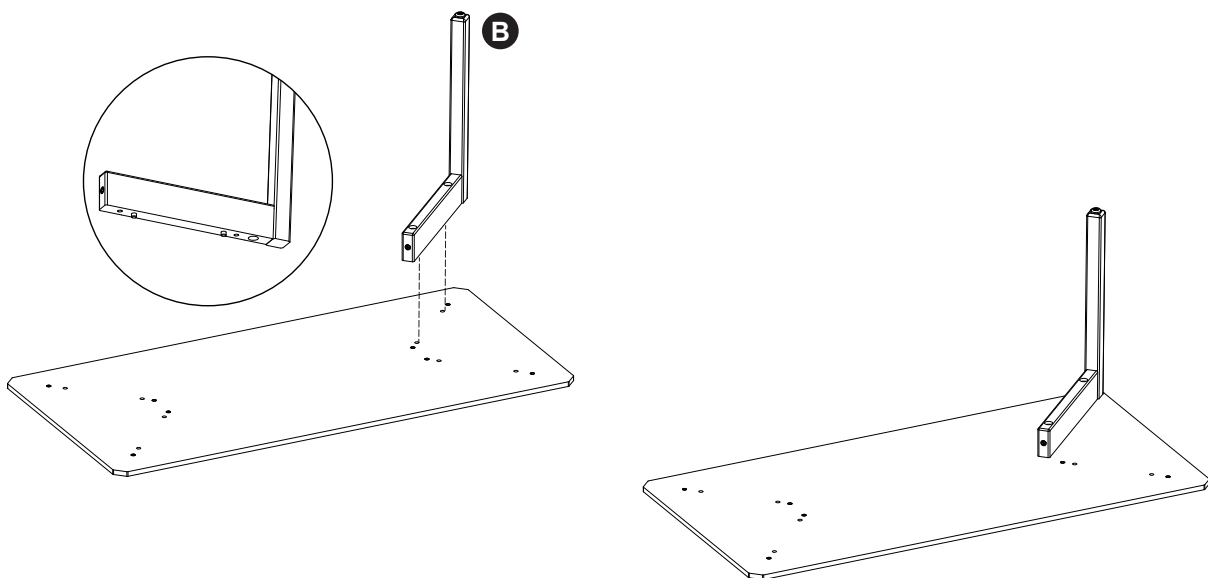
- A. Legs with a longer beam featuring a hole that goes through from side to side, with a deeper slot on one side.
- B. Legs with a shorter beam and an insert positioned on the side opposite to the leg.



## Step 2

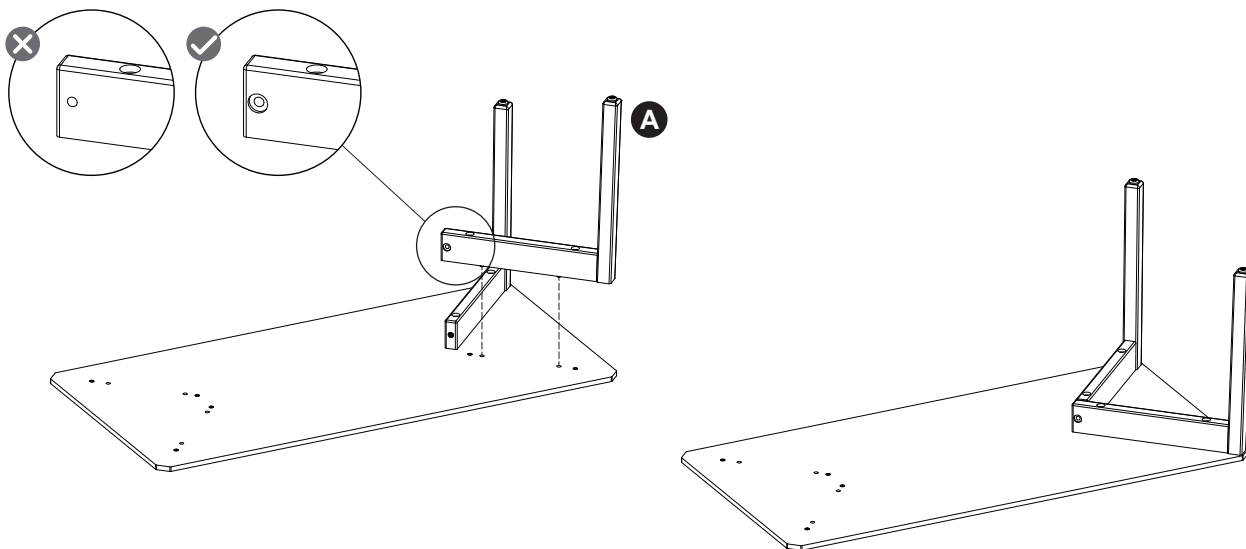
Place one leg with a shorter beam on the tabletop.

Ensure that the two positioning dowels in the legs' beam match the corresponding holes in the tabletop.



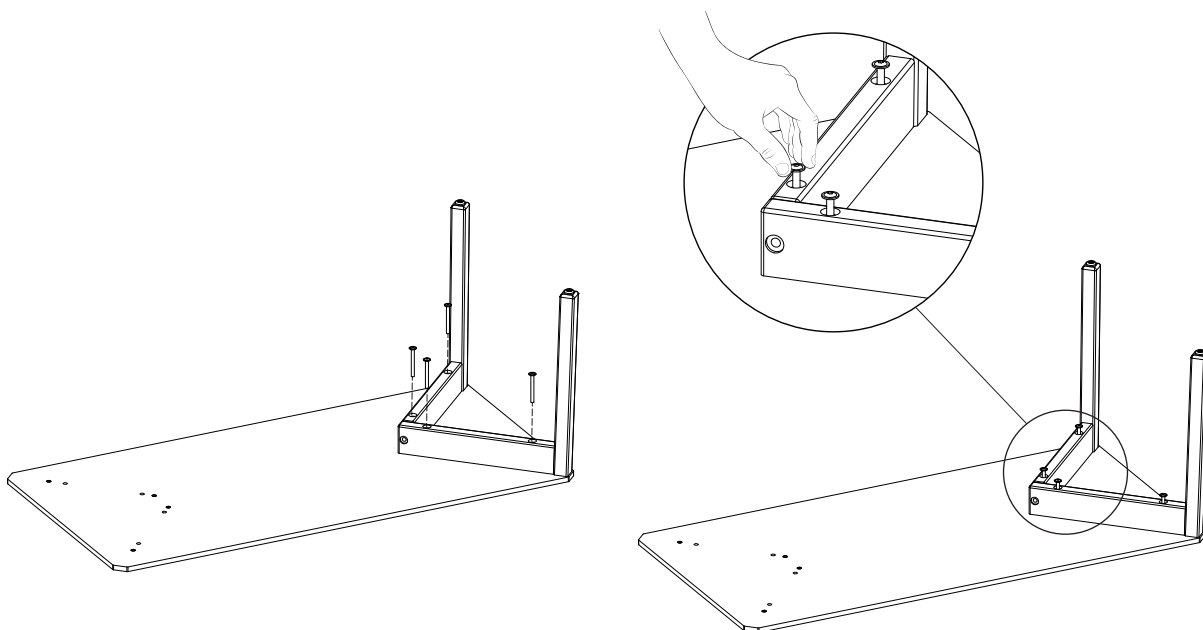
### Step 3

Add a second leg with a longer beam, selecting the one with a matching drilling orientation. Position the leg so that the hole with a deeper slot for the screws' head faces outward.



### Step 4

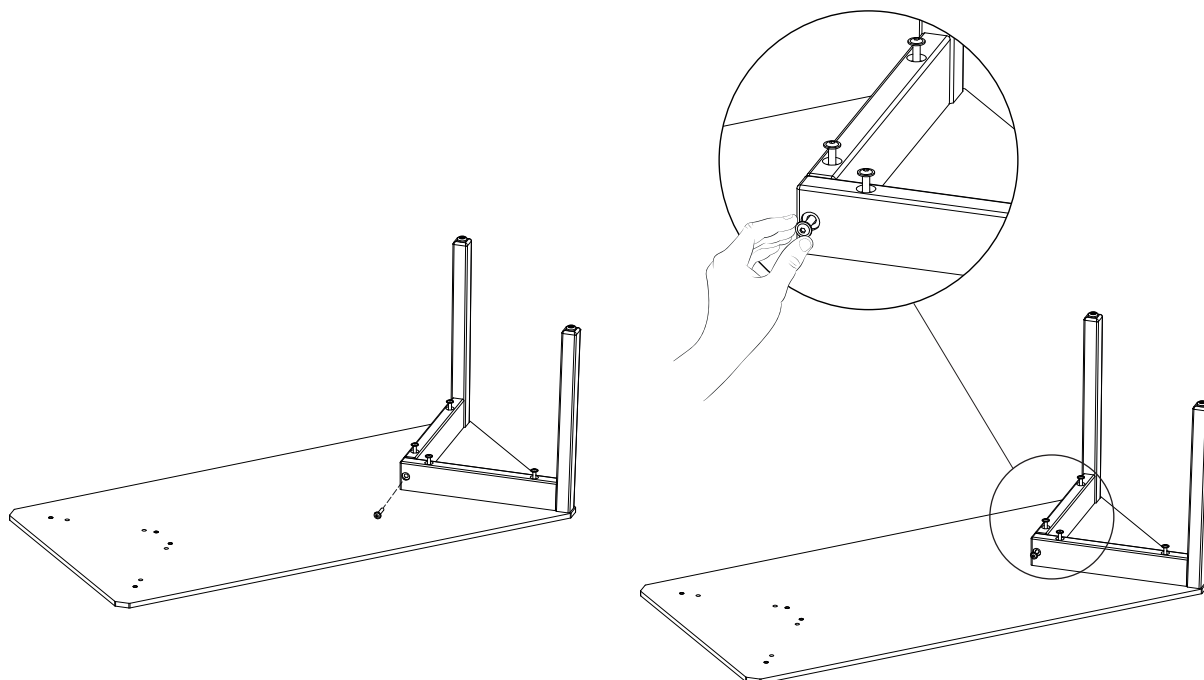
Attach the legs to the tabletop using the four longer flathead screws. However, refrain from tightening them fully at this point; a few turns for each screw are sufficient.



## Step 5

---

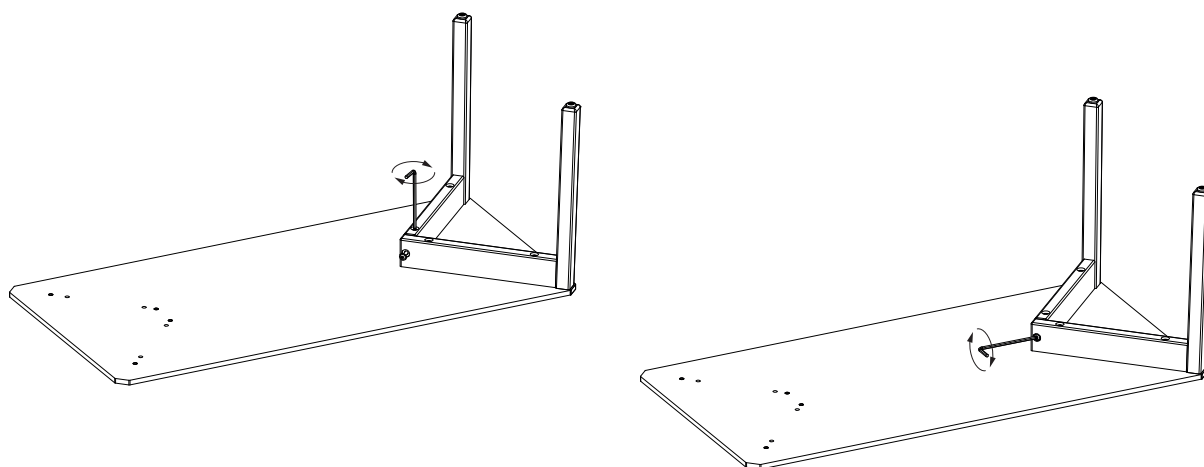
Use the shorter flathead screws to attach the legs to each other. Don't tighten the screws immediately; just make sure the parts are connected.



## Step 6

---

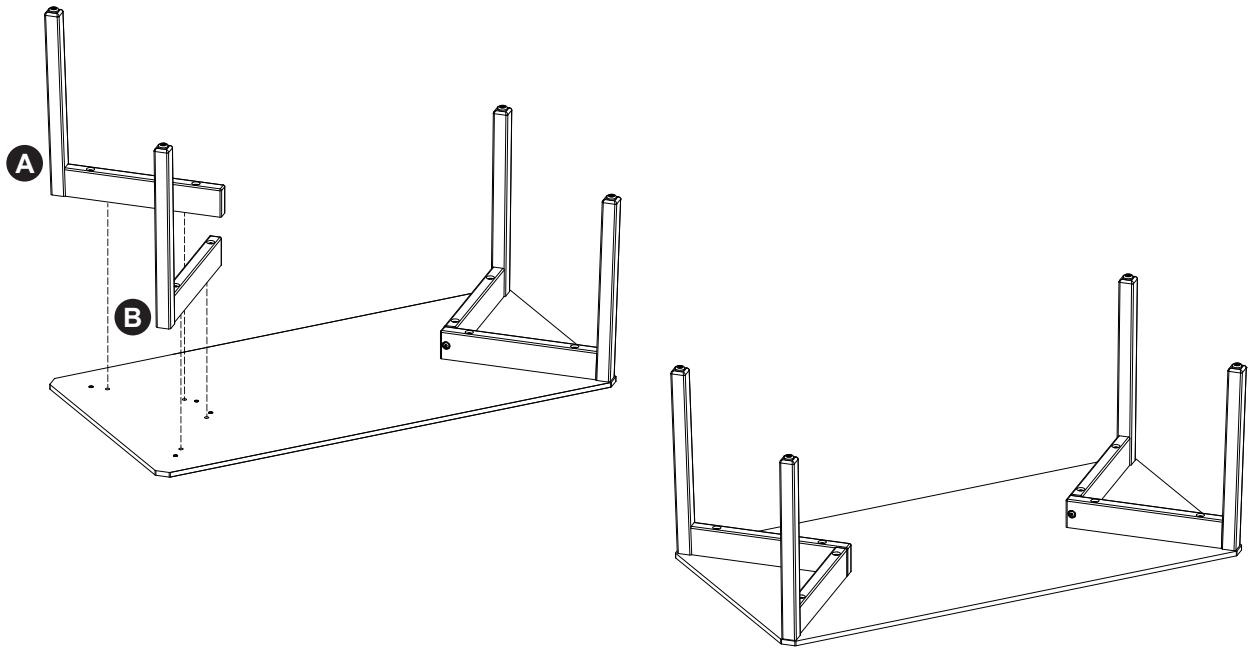
Now gradually tighten all the screws by adding a few turns to each one until they are evenly tightened.



## Step 7

---

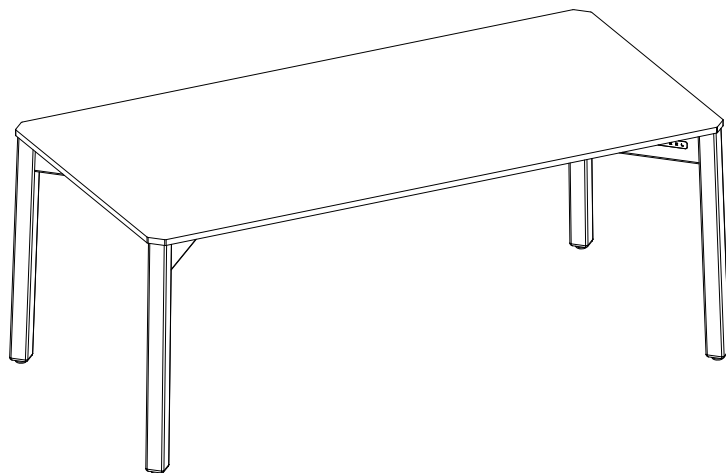
Repeat Steps 2 to 6 with the other set of legs.



## Step 8

---

Once all the legs are securely attached, carefully lift the table into an upright position.



## Product care tips

---

### Cleaning and Maintenance:

- Regular cleaning: Clean the furniture regularly, removing dirt, dust, and other deposits. You can do this with a damp cloth or sponge.
- Gentle cleaning agents: For more intensive cleaning, use mild cleaning agents such as mild dish soap dissolved in water. Avoid strong chemicals that may damage the surface.
- Start cleaning from a small, inconspicuous area (preferably the underside of the furniture) and check for any changes.
- Avoid sharp tools: Do not use hard brushes or sharp tools to prevent surface scratches.
- HPL panels do not require additional maintenance.

### Storage:

- Avoid direct sunlight exposure to prevent fading or change in color.
- To prolong the life of your outdoor furniture, we recommend using furniture covers when not in use.
- During winter and inclement weather: If possible, store the furniture indoors during the winter or when the weather is unfavorable. If indoor storage is not available, we recommend using furniture covers to protect them from weather conditions.
- The furniture is equipped with feet to protect against moisture from the ground. If possible, place them on a hardened surface, avoiding direct contact with the ground. During extended periods of non-use or inclement weather, it is advisable to store the tables on a solid and level surface to minimize prolonged exposure to uneven or damp ground.

### Usage:

- Never step or sit on table tops.
- Do not move furniture by dragging the furniture legs on the floor – you risk damaging the structure.
- Periodically check for any loosening of the structure - tighten screws if necessary.
- Avoid direct contact with hot objects: hot pots, pans, or other hot objects, to prevent permanent damage.

**F L E X S T E E L<sup>®</sup>**

**CUSTOMER SERVICE**

Call toll-free: 1-888-415-3979

Monday-Friday | 8:00 a.m.-5:00 p.m. (Central Time)

(Phone number is not valid in Mexico; toll-free in the  
U.S.A and Canada only)

Email: [customersolutions@flexsteel.com](mailto:customersolutions@flexsteel.com)