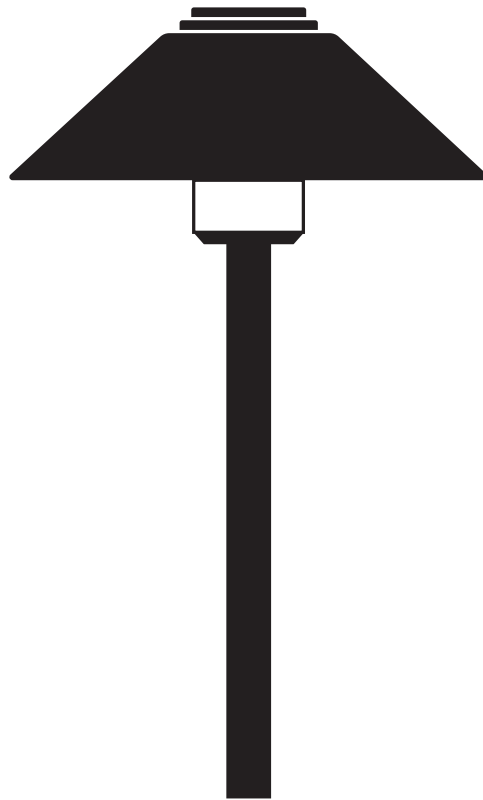


COLOR-CHANGING SMART LED PATH LIGHTS

IMPORTANT SAFETY INSTRUCTIONS AND INSTALLATION GUIDE



READ BEFORE INSTALLATION
SAVE THESE INSTRUCTIONS



Table of Contents

Safety Information	2
FCC Statement	2
Warranty	2
Pre-Assembly	3
Product Dimensions	3
Mounting with Ground Stake	4
RF Remote Control	5
Power Supply Control Box	5
Proper Battery Use and Disposal	5
Troubleshooting Tips - Wi-Fi	5
Smart Setup Instruction	6

Safety Information

For your safety, always remember to:

- All safety and operating instructions in this manual must be followed before using this product.
- These products may represent a possible shock or fire hazard if improperly installed or attached in any way. Products should be installed in accordance with this install guide, current electrical codes and/or the current National Electric Code (NEC).
- Ground Fault Circuit Interrupter (GFCI) protection is to be provided on the circuit(s) or for the wet location portable luminaire. Receptacles are available having built-in GFCI protection and are able to be used for this measure of safety.
- Use only with an extension cord for outdoor use, such as an extension cord of cord type SEW, SEOW, SE00W, SOW, SO0W, STW, STOW, ST00W, SJEW, SJEOW, SJE00W, SJW, SJOW, SJO0W, SJTW, SJTOW, or SJT00W.
- To disconnect, turn off the unit, then remove the plug from the outlet.
- Do not turn off by pulling on the cord.
- To reduce the risk of fire, keep away from combustible materials while in operation.
- To reduce the risk of injury, close supervision is necessary when this product is used near children.

Operating Temperature: -20°C to 40°C.

Product Specifications:

- 120 VAC, 60 Hz, 24 Watts
- Dimmable with APP or RF Remote
- Suitable for Wet Locations
- IP65 Water Resistant

FCC STATEMENT

Supplier's Declaration of Conformity:

47 CFR § 2.1077 Compliance Information

Responsible Party: Feit Electric Company

4901 Gregg Road, Pico Rivera, CA 90660, USA

www.feit.com

Unique Identifier: PATH/RGBW/AG/4

This device complies with part 15 of the FCC Rules. Operation is subject to the following two conditions: (1) This device may not cause harmful interference, and (2) this device must accept any interference received, including interference that may cause undesired operation. Note: This equipment has been tested and found to comply with the limits for a Class B digital device, pursuant to part 15 of the FCC Rules. These limits are designed to provide reasonable protection against harmful interference in a residential installation. This equipment generates, uses and can radiate radio frequency energy and, if not installed and used in accordance with the instructions, may cause harmful interference to radio communications. However, there is no guarantee that interference will not occur in a particular installation. If this equipment does cause harmful interference to radio or television reception, which can be determined by turning the equipment off and on, the user is encouraged to try to correct the interference by one or more of the following measures: Reorient or relocate the receiving antenna. Increase the separation between the equipment and receiver. Connect the equipment into an outlet on a circuit different from that to which the receiver is connected. Consult the dealer or an experienced radio/TV technician for help. Any changes or modifications not expressly approved by the manufacturer could void the user's authority to operate the equipment.

Radiation Exposure Statement

This device complies with FCC radiation exposure limits set forth for an uncontrolled environment. This device should be installed and operated with a minimum distance of 20cm between the radiator and your body.

Limited Warranty

This product is warranted to be free from defects in workmanship and materials for up to 1 year from date of purchase. If the product fails within the warranty period, please visit feit.com/help for instructions on replacement/refund or call 866.326.BULB. REPLACEMENT OR REFUND IS YOUR SOLE REMEDY. EXCEPT TO THE EXTENT PROHIBITED BY APPLICABLE LAW, ANY IMPLIED WARRANTIES ARE LIMITED IN DURATION TO THE DURATION OF THIS WARRANTY. LIABILITY FOR INCIDENTAL OR CONSEQUENTIAL DAMAGES IS HEREBY EXPRESSLY EXCLUDED. Some states and provinces do not allow the exclusion of incidental or consequential damages, so the above limitation or exclusion may not apply to you. This warranty gives you specific legal rights, and you may also have other rights which vary from state to state or province to province.



WARNING: RISK OF SHOCK. When using outdoor use portable luminaires, basic safety precautions should always be followed to reduce the risk of fire, electric shock, and personal injury.



WARNING: Do not use an extension cord near water or in areas where water may accumulate. Keep away from pools or spas. Keep plugs dry.

CAUTION:

Dispose of used battery promptly according to local recycling or waste regulations. Clean battery contacts and also device contacts prior to installing battery. Ensure the battery is installed correctly with regard to polarity (+ and -). Remove battery from remote when not being used for an extended period of time. Remove used battery promptly. The LEDs in this product are not replaceable.

WARNING:

- WARNING - KEEP BATTERIES OUT OF REACH OF CHILDREN.
- Swallowing may lead to serious injury in as little as 2 hours or death, due to chemical burns and potential perforation of the esophagus.
- If you suspect your child has swallowed or inserted a button battery, immediately seek urgent medical assistance.
- Examine devices and make sure the battery compartment is correctly secured, e.g. that the screw or other mechanical fastener is tightened. Do not use if compartment is not secure.
- Dispose of used button battery immediately and safely. Flat battery can still be dangerous.

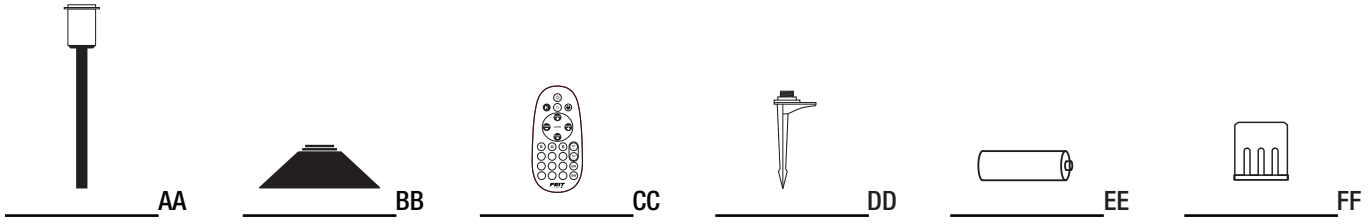
The performance specifications (life hours) printed on this manual should only be considered an approximation of expected performance.

Pre-Assembly

HARDWARE INCLUDED

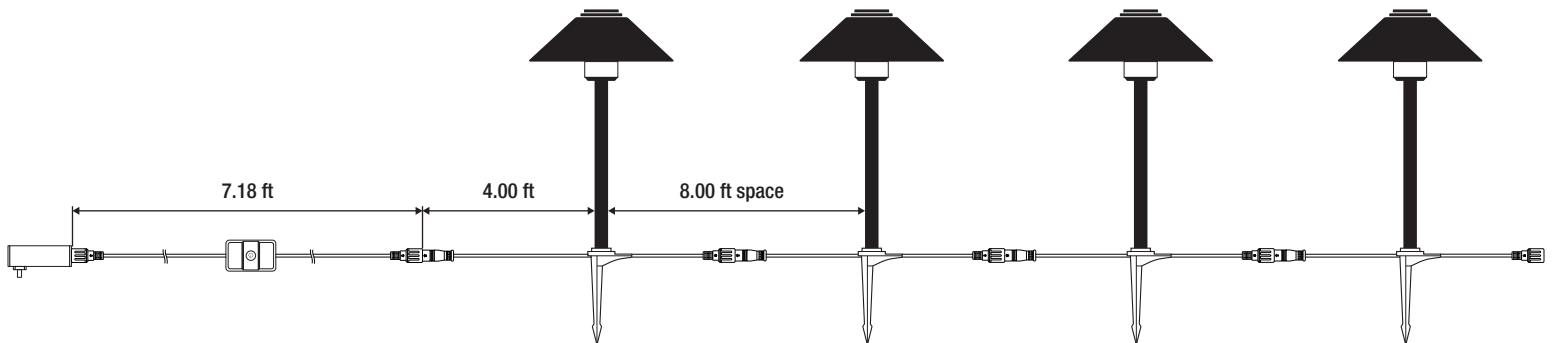
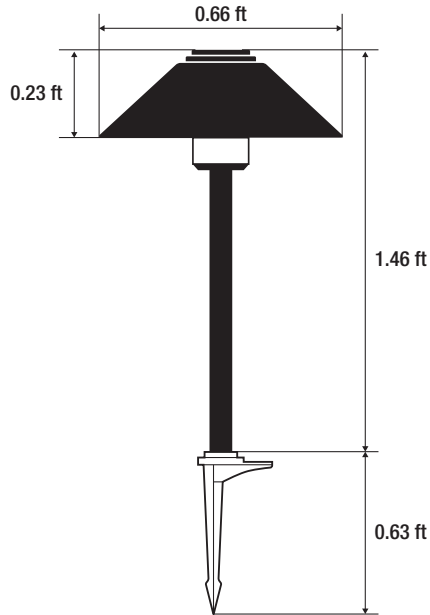


NOTE: Hardware not shown to actual size.



Part	Description	Quantity
AA	Path Light	4
BB	Hood	4
CC	Remote Control	1
DD	Ground Stake	4
EE	AAA 1.5V battery	2
FF	Waterproof Endcap	4

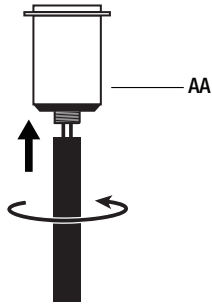
Product Dimensions



Mounting with Ground Stake

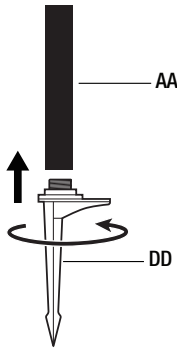
1 Assembling the Path Light

Attach the path light (AA) to its stand by rotating the stand clockwise until firmly secured.




2 Attaching the Path Light to the Ground Stake

Screw on the ground stake (DD) to the bottom of the path light stand (AA) by rotating the ground stake (DD) clockwise until fully secured.

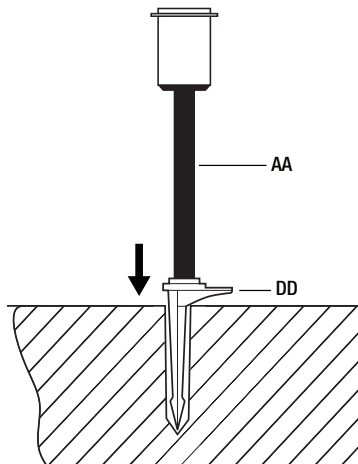


3 Inserting the Ground Stake

Find the desired location. Plant the path light (AA) by firmly pressing the ground stake (DD) into the soil.

 **NOTE:** When installing the product in hard or dry soil, water the soil several hours beforehand to make the installation easier. You can also break up the ground with a stake or a fork. Don't force the stake into the ground as excess force can break or bend the stake.

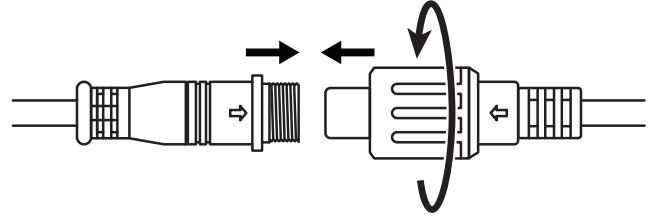
 **NOTE:** Each path light can be spaced 7 ½ feet apart.




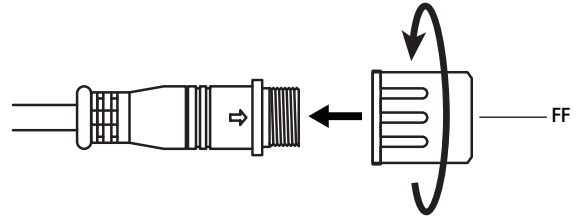
4 Linking the Path Lights

Press the male and female connectors together and turn the sleeve clockwise to secure their connection.

 **NOTE:** Link up to 8 units maximum.

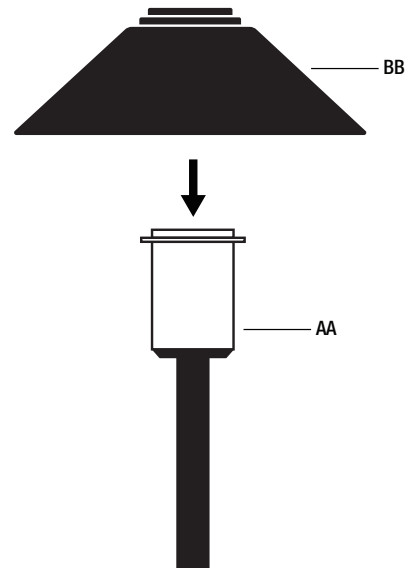


 **NOTE:** If the path light will not be linked to additional units, secure the female connector with the waterproof endcap (FF).



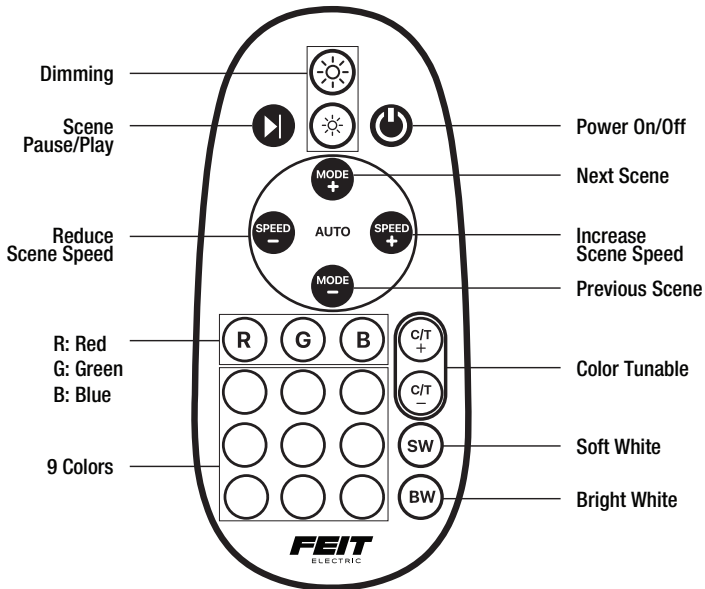
5 Installing the Hood

Screw on the hood (BB) to the top of the path light (AA) until firmly secured.



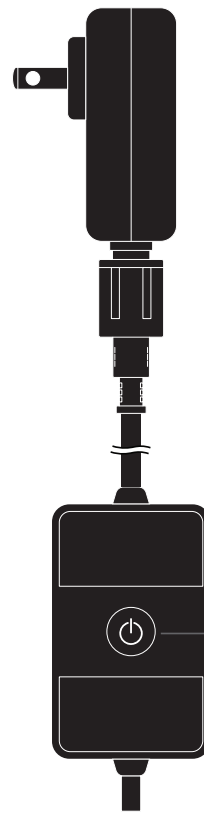
RF Remote Control

Power Supply Control Box



Pair: Unplug and plug in the power supply, within 20 seconds, hold the power button on the remote for 5 seconds. The light will flash slowly 3 times to indicate successful pairing.

Unpair: Unplug and plug in the power supply, within 20 seconds, hold the power button on the remote for 5 seconds. The light will flash rapidly 5 times to indicate successful unpairing.



Press the power button once to turn on and press twice to turn off.

Press and release to cycle through 9 different colors, themes or modes.

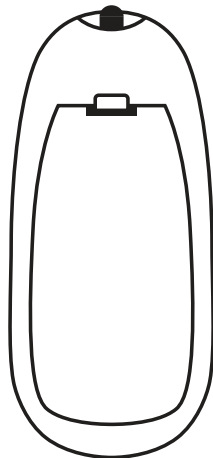
1. Party
2. Red
3. Green
4. Blue
5. Soft White
6. Bright White
7. Fade
8. Chasing
9. Color cycle

To enter pairing mode or reset, press and hold the button for 5 seconds, the lights will cycle through red, blue, green, and then continuously pulse white to indicate actively in pairing mode. It will stop pulsing when it is paired.

Proper Battery Use and Disposal

Always purchase the correct size and grade of battery most suitable for the intended use. Do not mix old and new batteries, different brands or types of batteries, such as alkaline, carbon-zinc, or rechargeable batteries. Clean the battery contacts and also those of the device prior to battery installation. Ensure the battery is installed correctly with regard to polarity (+ and -). Remove and immediately recycle or dispose of batteries from equipment not used for an extended period of time according to local regulations. Remove used battery promptly.

The product's remote control contains two 1.5V AAA batteries. If swallowed, it could cause severe injury or death in just 2 hours. Seek medical attention immediately.



Two 1.5V AAA batteries included.

Troubleshooting Tips - Wi-Fi

If you are having difficulty connecting:

- Make sure you are connecting to a 2.4 GHz Wi-Fi network. This product will not connect to a 5 GHz Wi-Fi network.
- Test your Wi-Fi network with other devices such as your phone to make sure it is operating properly.
- The Wi-Fi connection may not have good coverage during set up. Move the product closer to your Wi-Fi router during set up.
- Your Wi-Fi network password is case sensitive, make sure you are entering correctly. The product must be ON in order to be controlled via the mobile app.

Check the App User Guide for more information.

For additional remote controls, please contact Feit Electric at www.feit.com

Getting Started:

1 Download the Feit Electric App on Your Smart Device



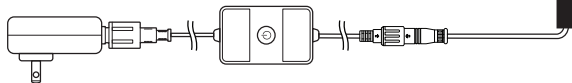
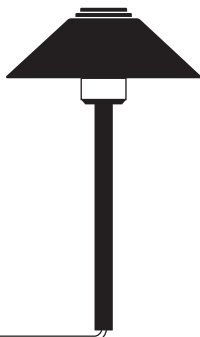
2 Install Your Smart LED Path Lights

See "Installation" Section on page 4.

3 Plug in Your Smart LED Path Lights

Plug the products into an outdoor rated GFCI receptacle.

WARNING: These products may represent a possible shock or fire hazard if improperly installed or attached in any way. Products should be installed in accordance with the owners manual, current electrical codes and/or the current National Electric Code (NEC).



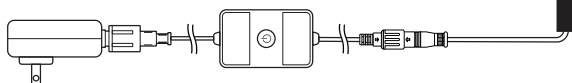
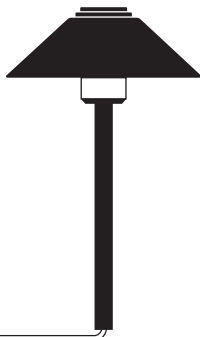
You are now ready to use the smart LED path lights via RF Remote. See "RF Remote Control" section for more details.

To activate smart features proceed to steps 4 & 5.



4 Pair Your Device

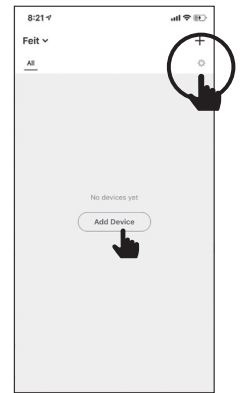
Press and hold the control button for 5 seconds when lights are on to enter pairing mode. Lights will blink.



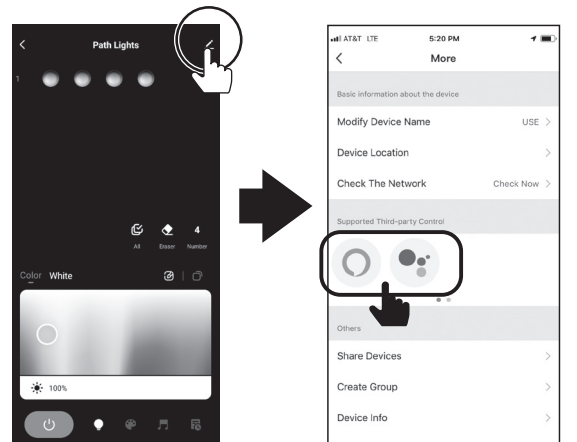
5 Launch the Feit Electric App to Complete the Set Up

Tap Add Device or the + sign, then select Path Lights and confirm. You will be prompted to enter your Wi-Fi network and password.

NOTE: Be sure to connect to a 2.4 GHz Wi-Fi network that covers your installation location.



(Optional) Connect to Google Assistant or Alexa Using the In-App Guide



Tap Pen icon

Choose Alexa or Google

Need Help?



Thank you for your purchase
Questions, comments or feedback?
We'd love to hear from you.

Visit feit.com/help for support or connect with us:



@FeitElectric



@FeitElectricInc



feitelectriclighting