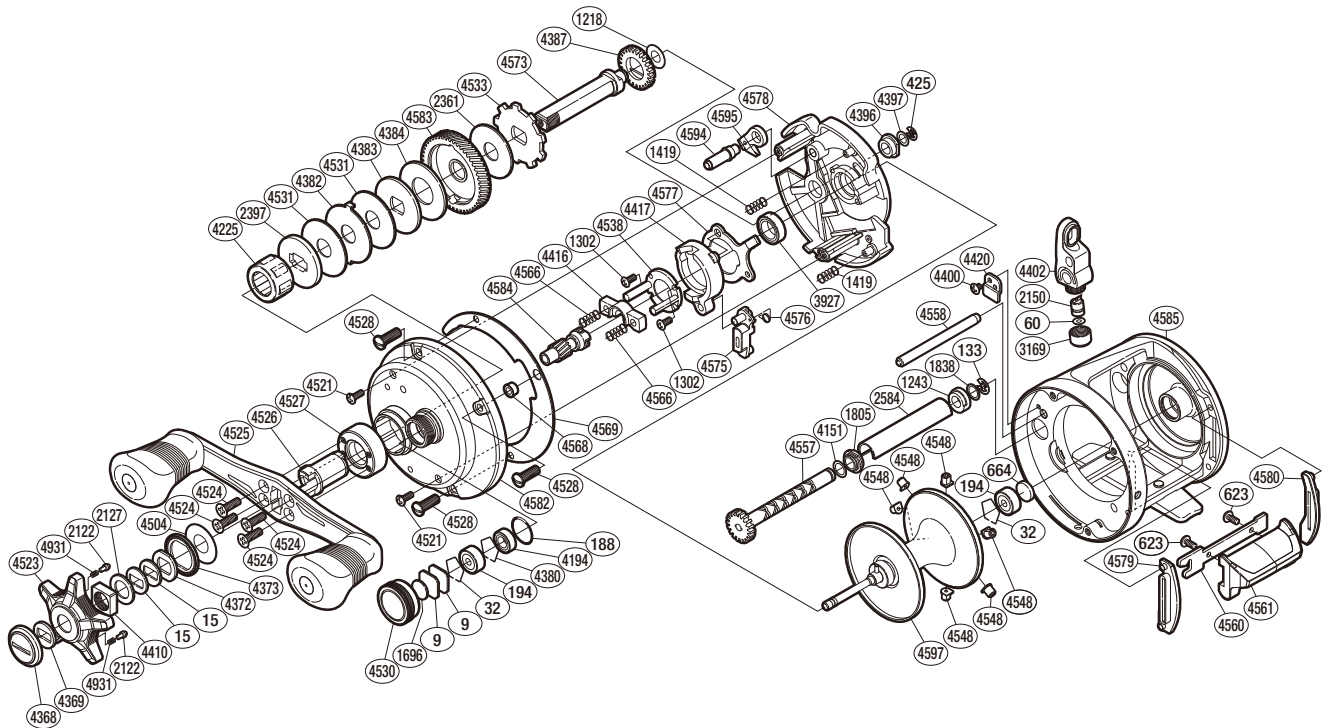


SHIMANO

CALCUTTA SA-RB

CT-401D



Please note that the number of adjusting washers may not be the same as shown in the exploded views. (Adjustment will vary with each individual product.)

(1RH318401U)

Part No.	Description	Part No.	Description	Part No.	Description
BNT0009	Spacer	BNT4225	Roller Clutch Bearing	BNT4531	Drag Washer
BNT0015	Drag Spring Washer	BNT4368	Handle Bolt	BNT4533	Anti-Reverse Ratchet
BNT0032	Bearing Retainer	BNT4369	Handle Lock Spring	BNT4538	Clutch Cam Retainer
BNT0060	Spacer	BNT4372	Drive Shaft Shield	BNT4548	Brake Collar
BNT0133	E Lock	BNT4373	Star Drag Click Plate	BNT4557	Worm Shaft
BNT0188	O Ring	BNT4380	Retainer	BNT4558	Level Wind Guide
BNT0194	Ball Bearing	BNT4382	Eared Washer	BNT4560	Clutch Plate B
BNT0425	E Lock	BNT4383	Key Washer	BNT4561	Quick-Fire II Clutch Bar
BNT0623	Screw	BNT4384	Drag Washer	BNT4566	Yoke Spring
BNT0664	Spacer B	BNT4387	Idle Gear	BNT4568	Screw Collar
BNT1218	Spacer	BNT4396	Drive Shaft Bushing	BNT4569	Side Plate Support
BNT1243	Worm Bushing B	BNT4397	Washer	BNT4573	Drive Shaft
BNT1302	Screw	BNT4400	Screw	BNT4575	Clutch Pawl
BNT1419	Spring	BNT4402	Line Guide	BNT4576	Clutch Pawl Spring
BNT1696	Cast Control Spacer	BNT4410	Star Drag Nut	BNT4577	Clutch Plate
BNT1805	Worm Bushing A	BNT4416	Yoke	BNT4578	Set Plate
BNT1838	Spacer	BNT4417	Clutch Cam	BNT4579	Clutch Bar Guide B
BNT2122	Click Pin	BNT4420	Worm Bushing Retainer	BNT4580	Clutch Bar Guide A
BNT2127	Star Drag Spacer	BNT4504	Washer	BNT4582	Left Side Plate
BNT2150	Line Guide Pawl	BNT4521	Screw	BNT4583	Drive Gear
BNT2361	Drag Washer	BNT4523	Star Drag	BNT4584	Pinion Gear
BNT2397	Key Washer	BNT4524	Screw	BNT4585	One-Piece Frame
BNT2584	Level Wind Guard	BNT4525	Handle Assembly	BNT4594	Anti-Reverse Pawl Pin
BNT3169	Pawl Cap	BNT4526	Roller Clutch Inner Tube	BNT4595	Anti-Reverse Pawl
BNT3927	Ball Bearing	BNT4527	Handle Plate	BNT4597	Spool Assembly
BNT4151	Washer	BNT4528	Screw	BNT4931	Click Spring
BNT4194	Ball Bearing	BNT4530	Cast Control Cap		