

## FCC REQUIREMENTS

This device complies with part 15 of the FCC Rules. Operation is subject to the following two conditions:

- 1) This device may not cause harmful interference.
- 2) This device must accept any interference received, including interference that may cause undesired operation.

**NOTE:** THE MANUFACTURER IS NOT RESPONSIBLE FOR ANY RADIO OR TV INTERFERENCE CAUSED BY UNAUTHORIZED MODIFICATIONS TO THIS EQUIPMENT. SUCH MODIFICATIONS COULD VOID THE USER AUTHORITY TO OPERATE THE EQUIPMENT.

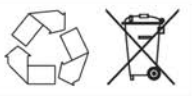
**NOTE:** This equipment has been tested and found to comply with the limits for a Class B digital device, pursuant to Part 15 of the FCC Rules. These limits are designed to provide reasonable protection against harmful interference in a residential installation. This equipment generates, uses and can radiate radio frequency energy and, if not installed and used in accordance with the instructions, may cause harmful interference to radio communications. However, there is no guarantee that interference will not occur in a particular installation. If this equipment does cause harmful interference to radio or television reception, which can be determined by turning the equipment off and on, the user is encouraged to try to correct the interference by one or more of the following measures:

- Reorient or relocate the receiving antenna.
- Increase the separation between the equipment and receiver.
- Connect the equipment into an outlet on a circuit different from that to which the receiver is connected.
- Consult the dealer or an experienced radio/TV technician for help.

## IMPORTANT BATTERY INFORMATION

- Battery installation should be performed by an adult.
- Be careful to install batteries with the correct polarity as indicated.
- Only batteries of the same or equivalent type as recommended are to be used.
- The supply terminals are not to be short-circuited.
- Different types of batteries or new and used batteries are not to be mixed.
- Exhausted batteries are not to be removed from the toy.
- Do not dispose of batteries in fire. Battery may explode or leak.
- Non-rechargeable batteries are not to be charged.
- Rechargeable batteries are only to be charged under adult supervision.
- Rechargeable batteries are to be removed from the toy before being charged (if removable).
- Charge the rechargeable battery pack only with the provided charger.
- Do not attempt to short circuit the charging plug of the rechargeable battery pack and the charging adapter.
- Never recharge a fully charged battery. Always discharge the battery before charging.

Contains NiMH battery pack. Battery pack must be recycled or disposed of properly.



Manufactured for and distributed by Dunn Rite Products.  
MADE IN CHINA

## WARRANTY

1. JetNet is warranted to the original owner for one year from date of purchase, with proof of purchase. This warranty covers defects in materials and workmanship.
2. Parts returned under this warranty will be inspected. Damage which, in our judgement, occurred because of misuse, negligence or accident is not covered by this warranty. This warranty is void if the product has been altered or tampered with in any way.
3. Owner may send parts presumed defective directly to Dunn-Rite Products, freight prepaid. If Dunn-Rite agrees that the products are defective and covered by this warranty, Dunn-Rite Products will repair or replace at its' option, and return the parts, with no charge for repairs.

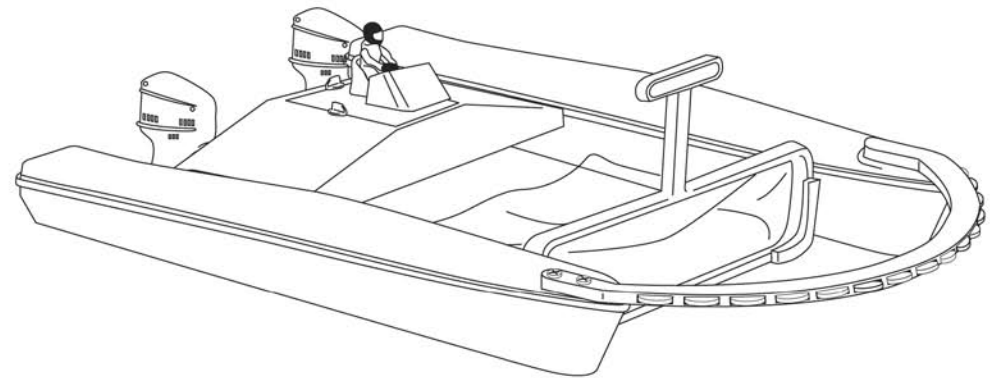
In no event shall Dunn-Rite Products be liable for incidental or consequential damages of any nature or kind, or for damages to persons or property.

\*If a part is missing or installation help is needed, call our HELPLINE for a quick response. 800-798-9646

Item No. JN06



## Remote Control Pool Skimmer



### Parts List

#### Boat Assembly

- 1 - Cockpit
- 1 - Bridge
- 1 - e.z. Clean Net
- 1 - Bumper Assembly
- 2 - Pontoons
- 2 - Motors
- 8 - 6x17mm screws
- 4 - 3.5x15mm screws

#### Boat Accessories

- 1 - Remote
- 1 - Charger
- 1 - 9 volt Battery
- 1 - Rechargeable Battery



2200 South J Street Elwood, IN 46036  
Fax 765-552-7773

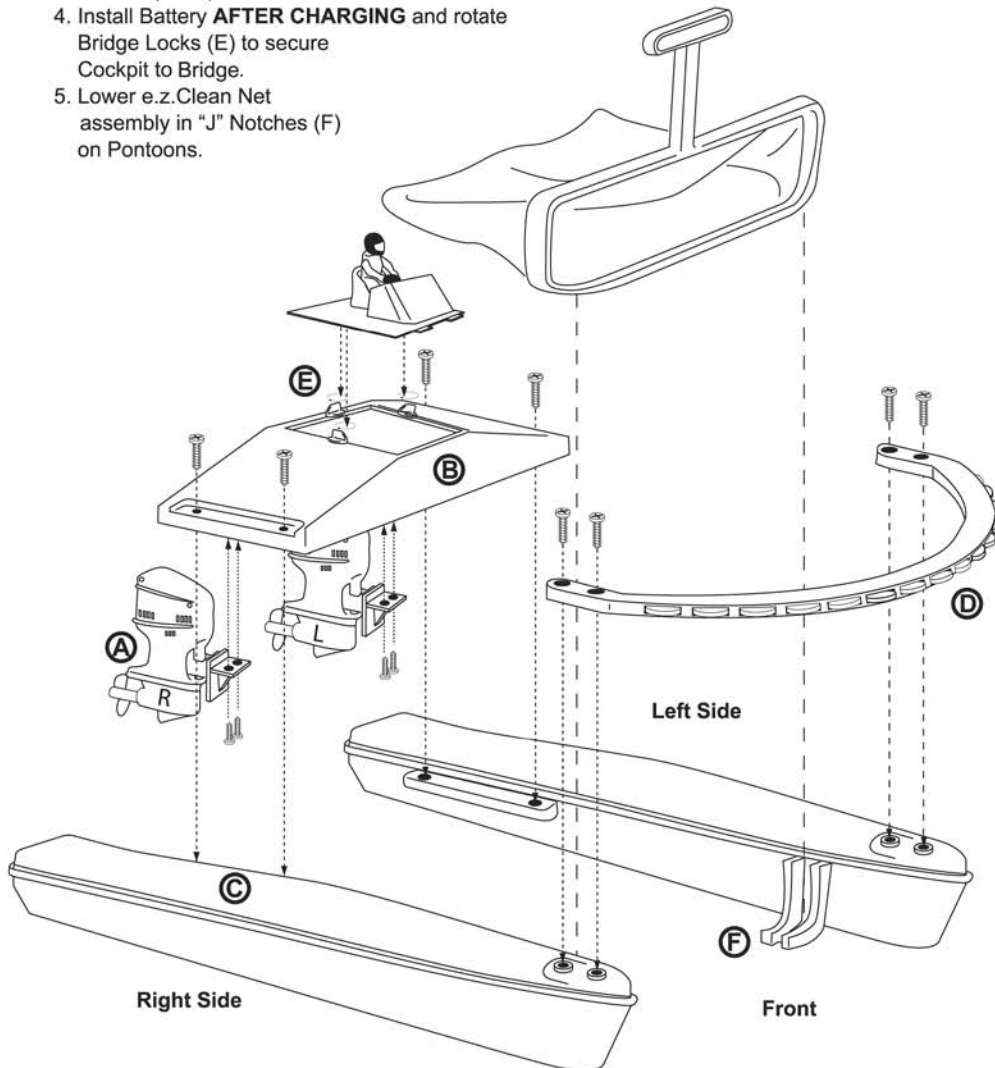
## BOAT ASSEMBLY

1. Identify Left and Right Motor by markings on propellers (A). Plug in motor marked L to left side of Bridge (B) and secure using two supplied screws (3.5mm). Plug in motor marked R to right side of bridge (B) and secure using two supplied screws (3.5mm).

**Note:** if you are having trouble plugging in make sure you have the correct Motor on the correct side. Motor Plugs are NOT interchangeable.

2. Using 4 supplied screws (6mm), attach Pontoons (C) to Bridge keeping Nose of Pontoons towards front.
3. Align Bumper (D) with screw holes on Nose of Pontoons and secure with 4 supplied screws (6mm).
4. Install Battery **AFTER CHARGING** and rotate Bridge Locks (E) to secure Cockpit to Bridge.
5. Lower e.z.Clean Net assembly in "J" Notches (F) on Pontoons.

**DO NOT  
SUBMERGE  
MOTORS IN  
WATER**



## CHARGING THE RECHARGEABLE BATTERY PACK

1. Connect the battery plug to the power adapter's plug.
2. Insert the power adapter into a wall outlet to start charging.
3. Unplug the power adapter from the wall outlet when charging is done, disconnect the battery pack from the power adapter.

**NOTE:** Charge the battery pack for 4 to 5 hours for optimum full performance on the initial charge and about 4 hours for other charges.

**CAUTIONS:** As with all electric products, precautions should be observed during handling and use to prevent electric shock. The power adapter should be periodically examined for leaks, loose wiring and other conditions that may result in the risk of fire, electric shock or other personal injury. If you suspect a problem, do not use the adapter until it is properly repaired. Do not charge the battery pack for over 10 hours, as this will result in damage to the batteries.

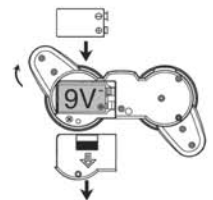
## BATTERY INSTALLATION - SKIMMER

1. Open the 3 locks of the battery compartment cover of the skimmer as shown and remove cockpit.
2. Connect the battery pack's plug to the plug in the battery compartment. Make sure the battery pack is well mounted in the battery compartment.
3. Replace the battery compartment cover and lock it.



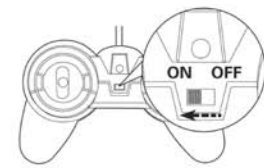
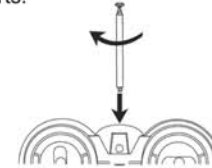
## BATTERY INSTALLATION - REMOTE CONTROLLER

1. Slide the battery door out of the controller as shown.
2. Install a 9V battery (included) in the battery compartment as shown. Make sure to follow the correct positive (+) and negative (-) polarities with the corresponding markings inside the battery compartment.
3. Slide the battery door back into place.



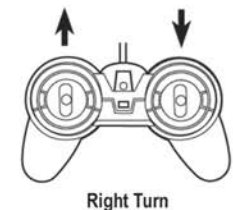
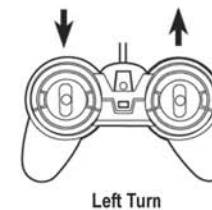
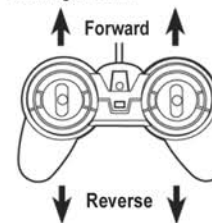
## PREPARATION

1. Install the antenna into the antenna hole on the remote controller as shown, pull tip of the antenna to extend.
  2. Move the power switches on the remote controller and the skimmer to ON.
  3. Place the skimmer gently into the pool, letting it float on water.
- NOTE:** Do not leave controller on the ground with joysticks facing down. This can cause false starts.



## OPERATION

The left and right joysticks on the controller are used to control the left and right motors on the RC skimmer. When the left joystick is pushed forward or back the left motor will run. When the right joystick is pushed forward or back the right motor will run. By combination of pushing forward the left and/or right joysticks as shown, the RC skimmer can be controlled to go forward, reverse, left turn and right turn.



After use, take the skimmer out of water, move the power switches on the remote controller and skimmer to OFF.

**NOTE:** Do not operate the skimmer while it is out of water. Never touch the propellers on the skimmer to avoid possible injury.