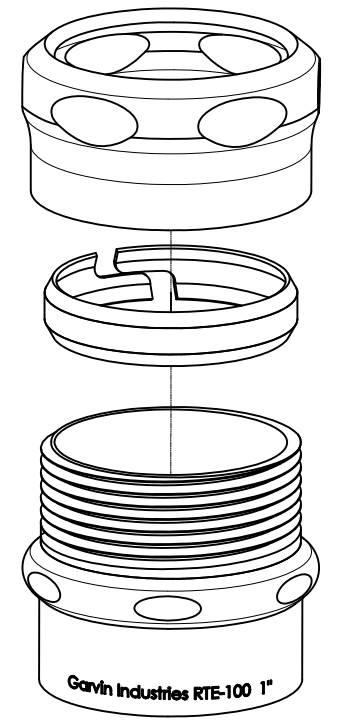
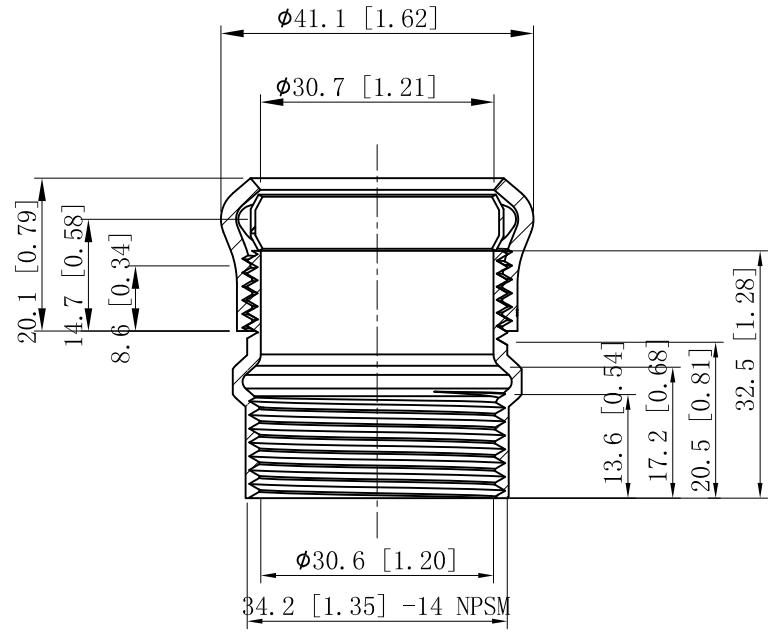
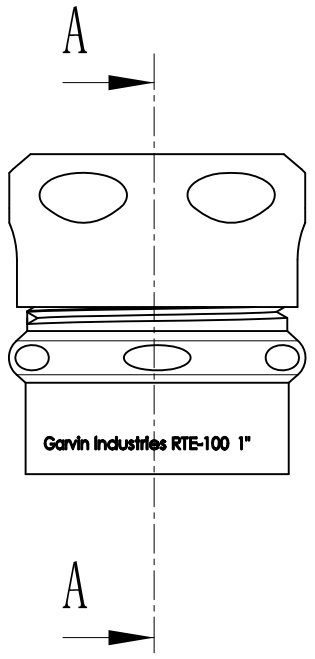


SIDES	BOTTOM
Material: Steel-0.065"-C. R. S ZINC PLATED	



CUTAWAY VIEW A-A

This data sheet is for reference only .GARVIN INDUSTRIES reserves the right to make changes to the design without prior notice.

DESCRIPTION
TRADE REFERENCE TERMS

STANDARD PACKING	<h1>GARVIN INDUSTRIES</h1>		
10 PCS			
TITLE	STEEL RIGID TO EMT FITTINGS		
SIZE	DWG NO.	RTE-100	REV
A4			
DATA SHEET			
www.garvinindustries.com			