

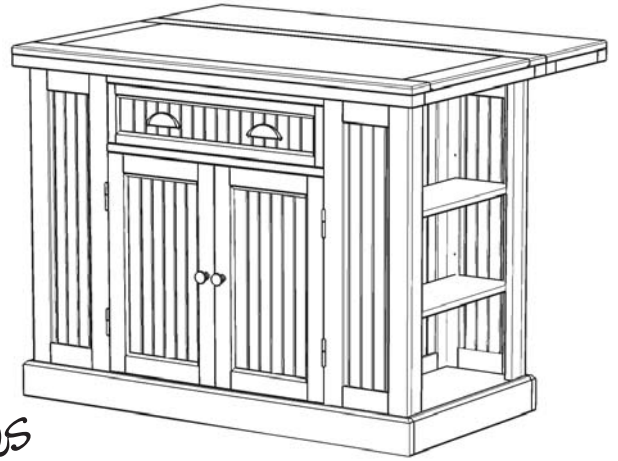
88 5033 941 Kitchen Island

IMPORTANT NOTE

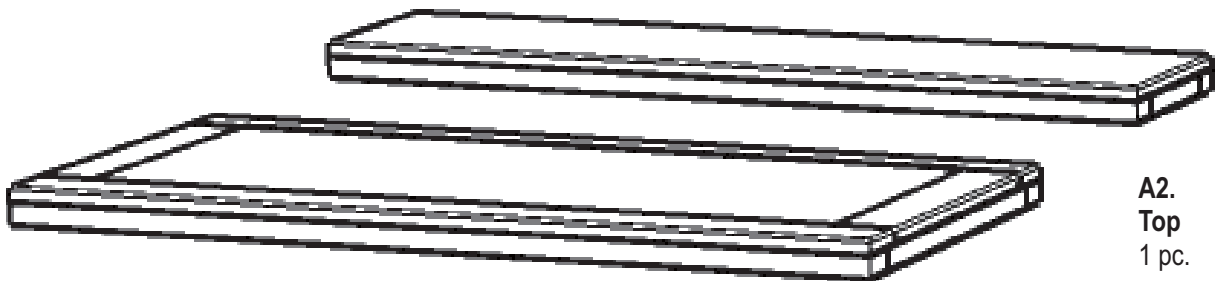
Carefully remove all the parts from the carton and put them individually on a soft cloth to prevent scratches or other damages occurring to the parts.

We have taken great care in the design of this product and request that you carefully and strictly follow our assembly instructions to ensure a completed product as it was designed.

*Home
Styles*



Part List



A1.
Top
1 pc.

A2.
Top
1 pc.

For assembly see instructions in carton 88 5033 942

Home Styles Consumer Assistance: www.homestyles-furniture.com,
servicedesk@homestyles-furniture.com, 888-680-7460, 877-831-0319

HOW TO UNPACK THE GRANITE TOP

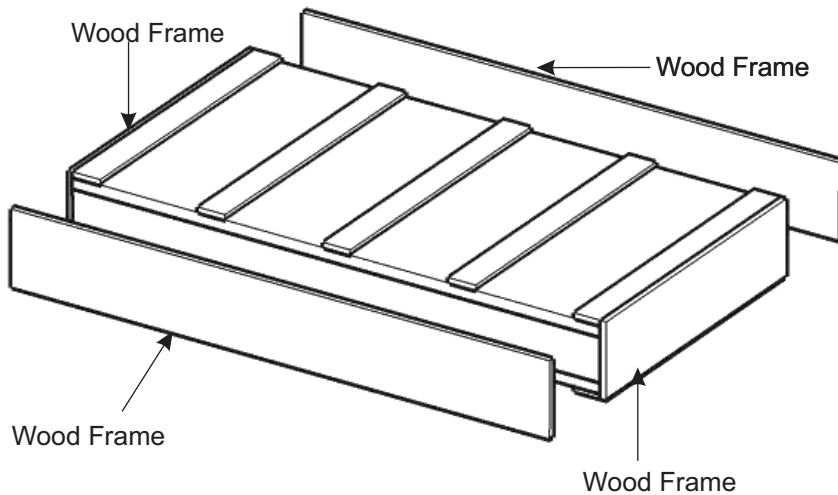
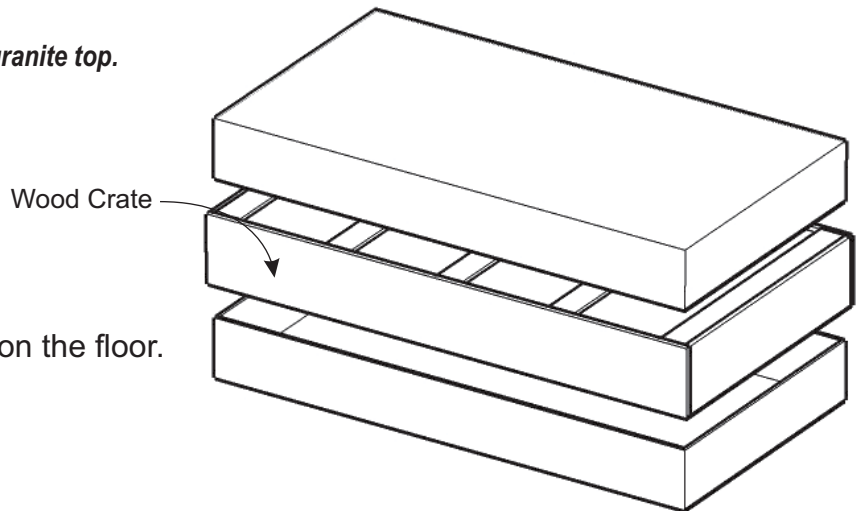
IMPORTANT

** Please follow these step to unpack the granite top.*

STEP 1

Open carton.

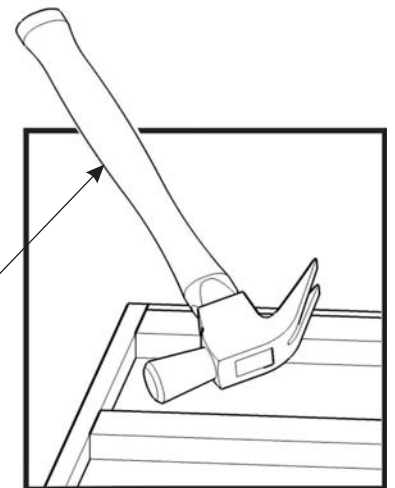
Remove wood crate and place it on the floor.



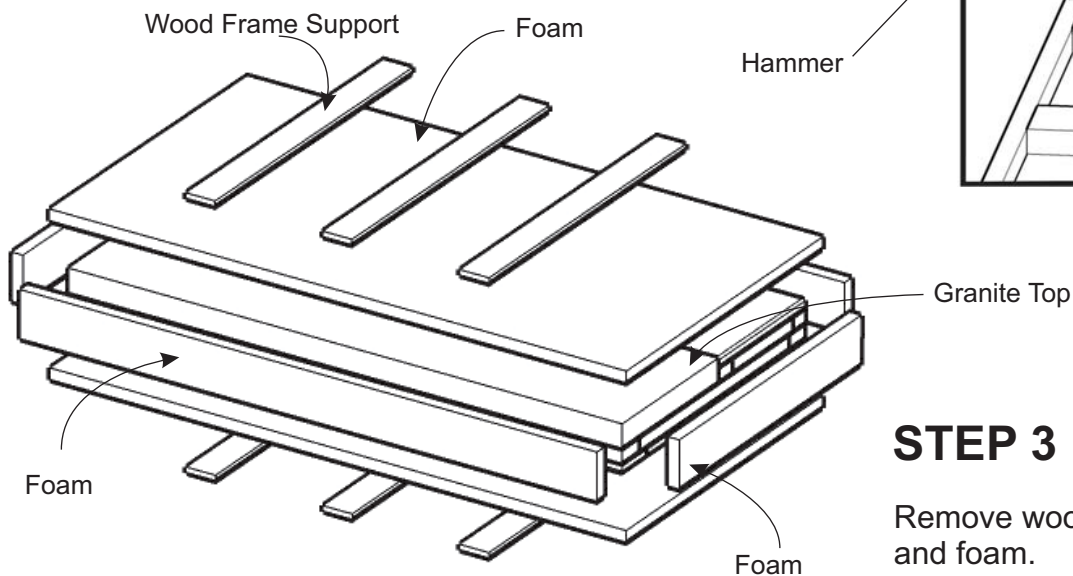
STEP 2

Use a hammer to knock out the wood framing. (see Figure 1)

NOTE : BE CAREFUL AND DO NOT HIT THE GRANITE TOP WITH THE HAMMER.



(Figure 1)



STEP 3

Remove wood frame supports and foam.