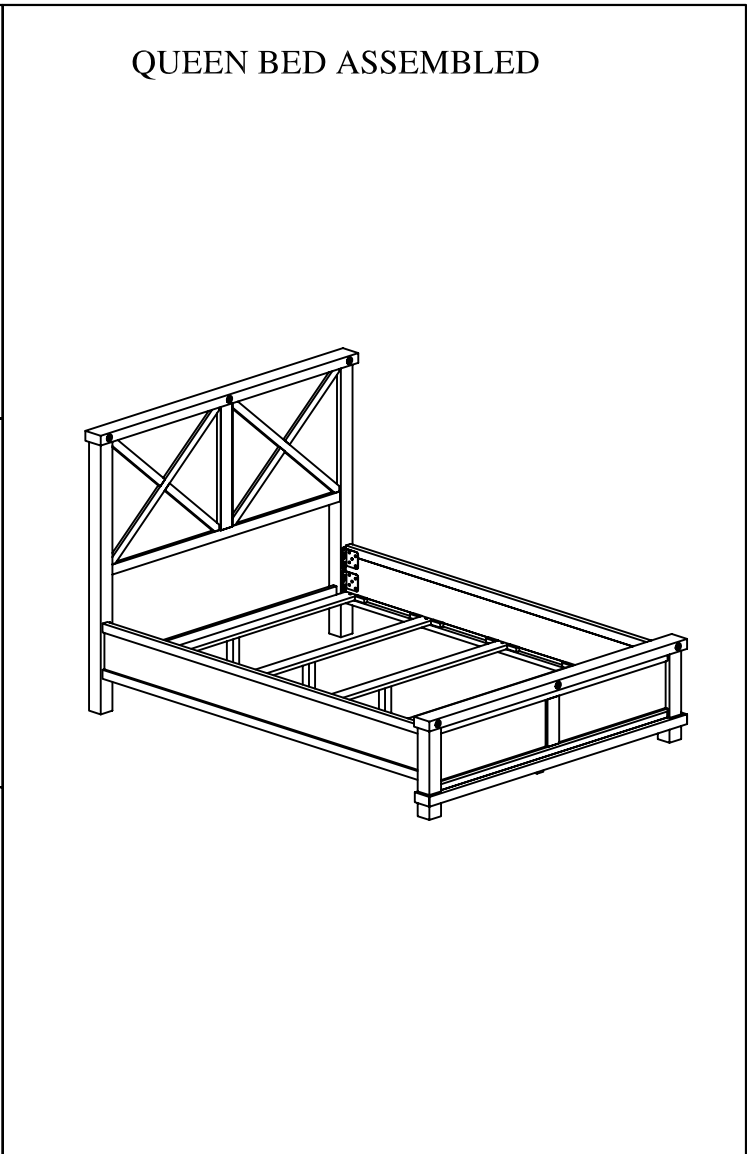
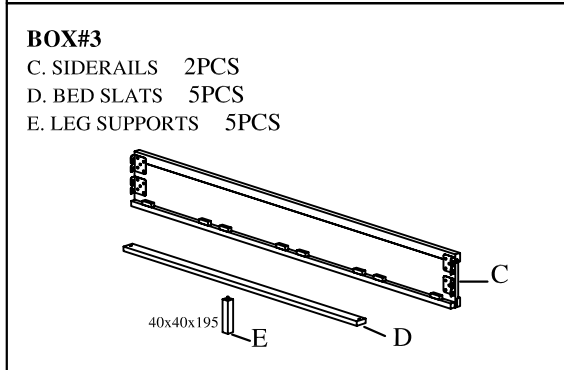
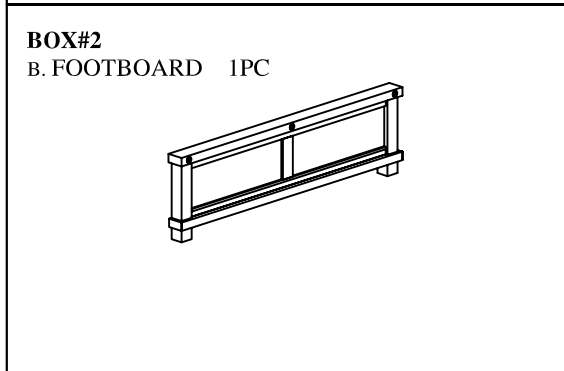
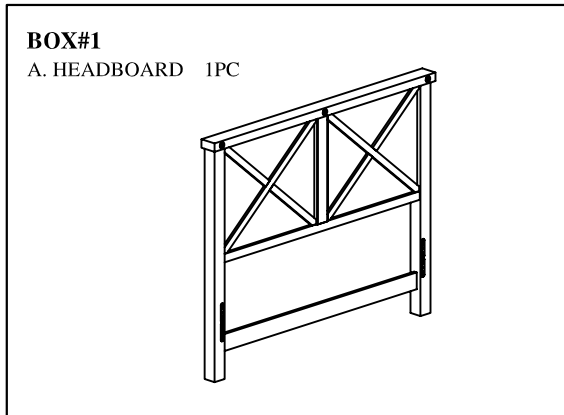


# YOSEMITE QUEEN BED HBW ASSEMBLY INSTRUCTIONS

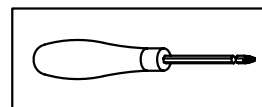


## HARDWARE ARE PACKED IN BOX

1	ALLEN BOLT M8 x 30 MM	16 PCS	2	WASHER M8	16 PCS	3	ALLEN KEY (4MM)	02 PCS	4	SCREW M4 x 30MM	10 PCS

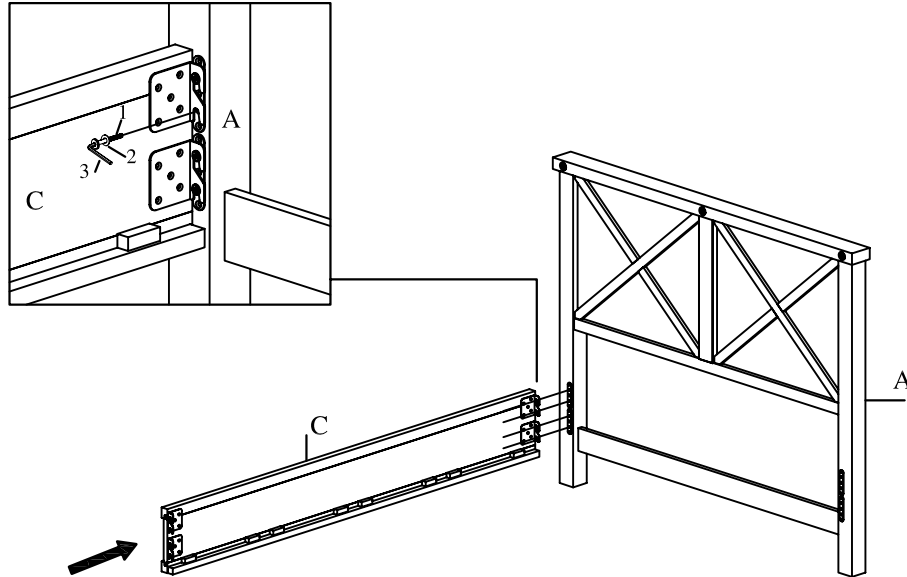
### TOOL REQUIRED

PHILLS HEAD SCREW  
DRIVER NOT PROVIDED



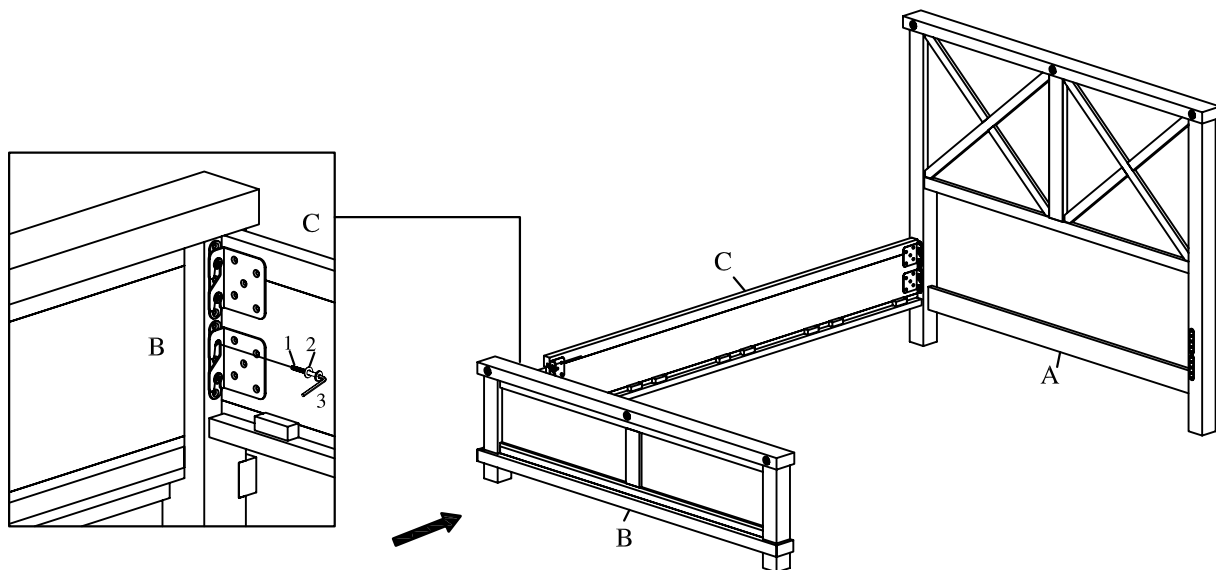
## STEP 1:

FIX ONE OF THE SIDERAILS (C) TO THE HEADBOARD (A) USING ALLEN KEY (3) AND ALLEN BOLT (1) AND WASHERS (2).  
DO NOT TIGHTEN BOLTS COMPLETELY UNTIL ASSEMBLY IS COMPLETED



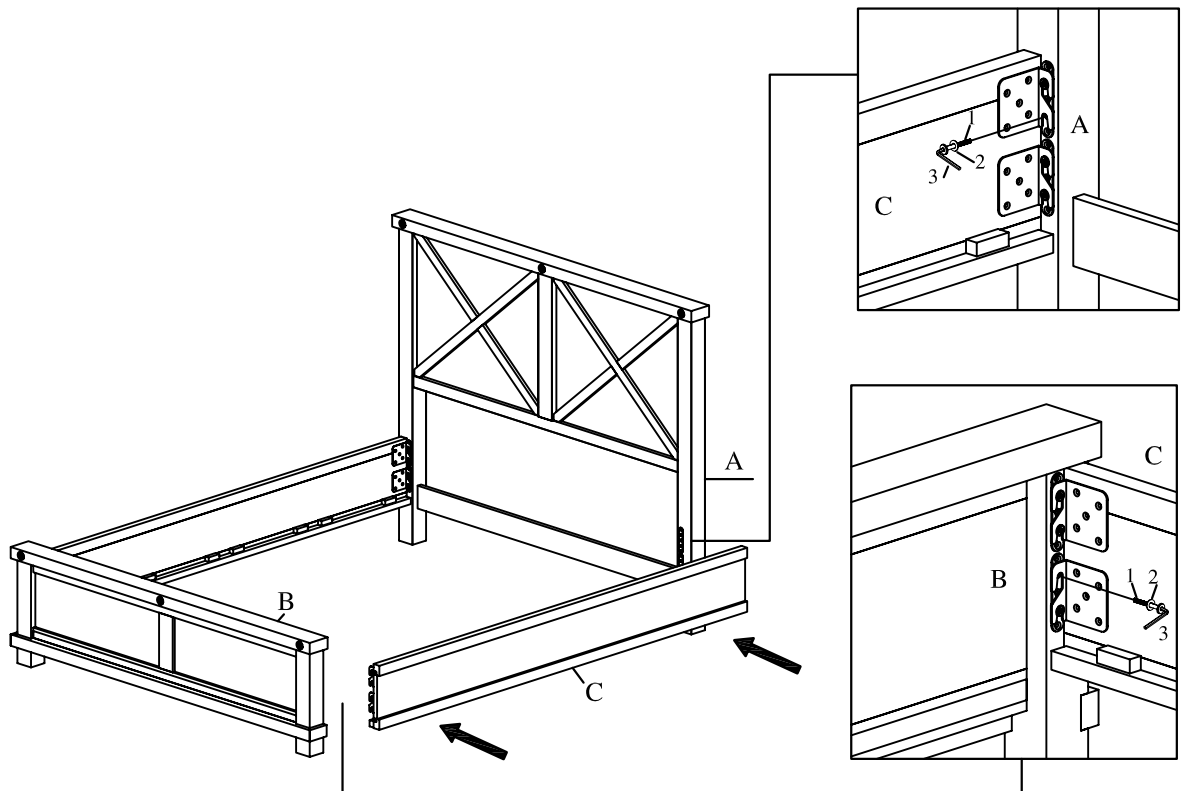
## STEP 2:

FIX THE OTHER END OF THE SIDERAILS (C) TO THE FOOTBOARD (B) USING ALLEN KEY (3) AND ALLEN BOLT (1) AND WASHERS (2).  
DO NOT TIGHTEN BOLTS COMPLETELY UNTIL ASSEMBLY IS COMPLETED



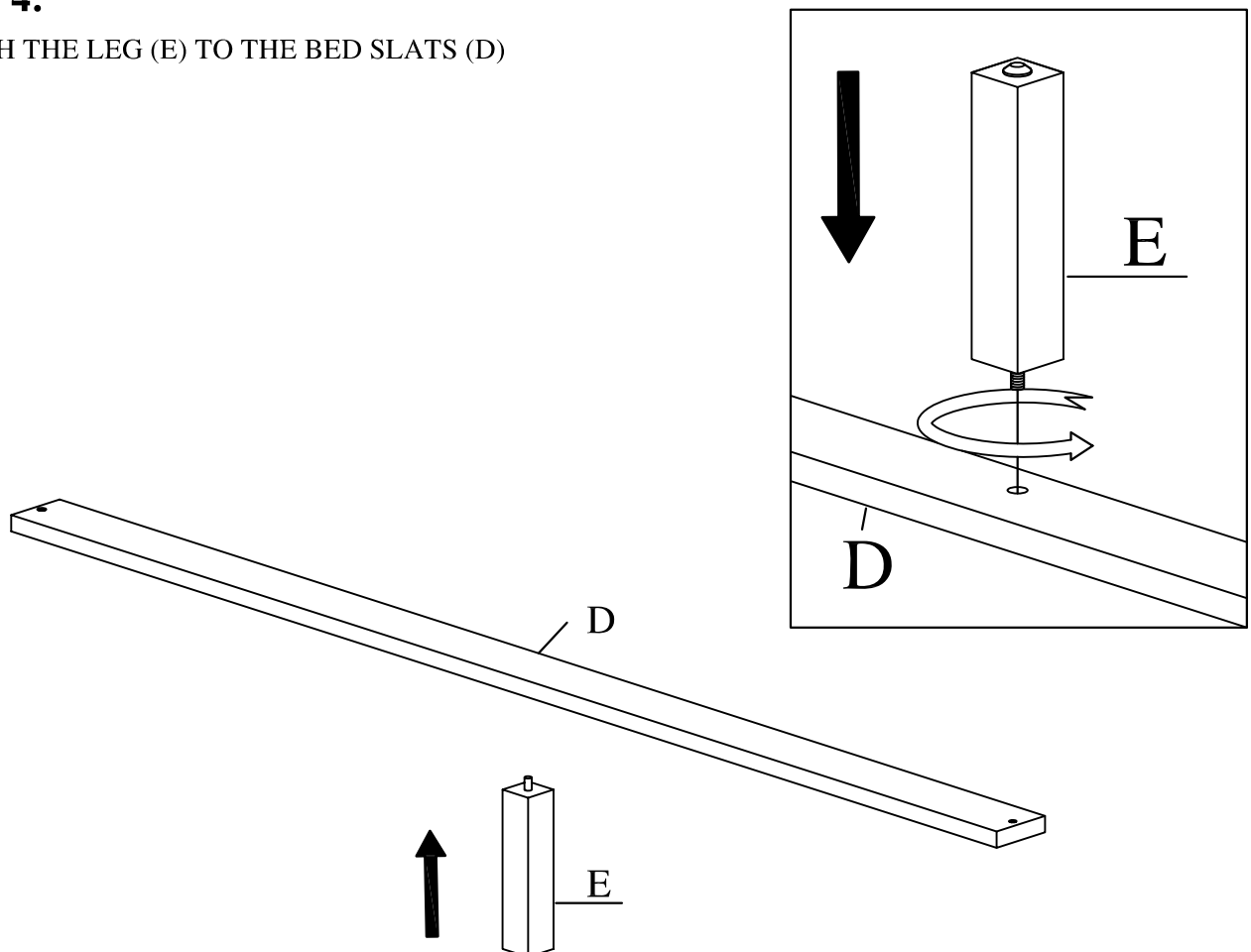
### STEP 3:

FIX ONE OF THE SIDERAILS (C) TO THE HEADBOARD (A) AND FOOTBOARD (B) USING ALLEN KEY (3) AND ALLEN BOLT (1) AND WASHERS (2). DO NOT TIGHTEN BOLTS COMPLETELY UNTIL ASSEMBLY IS COMPLETED



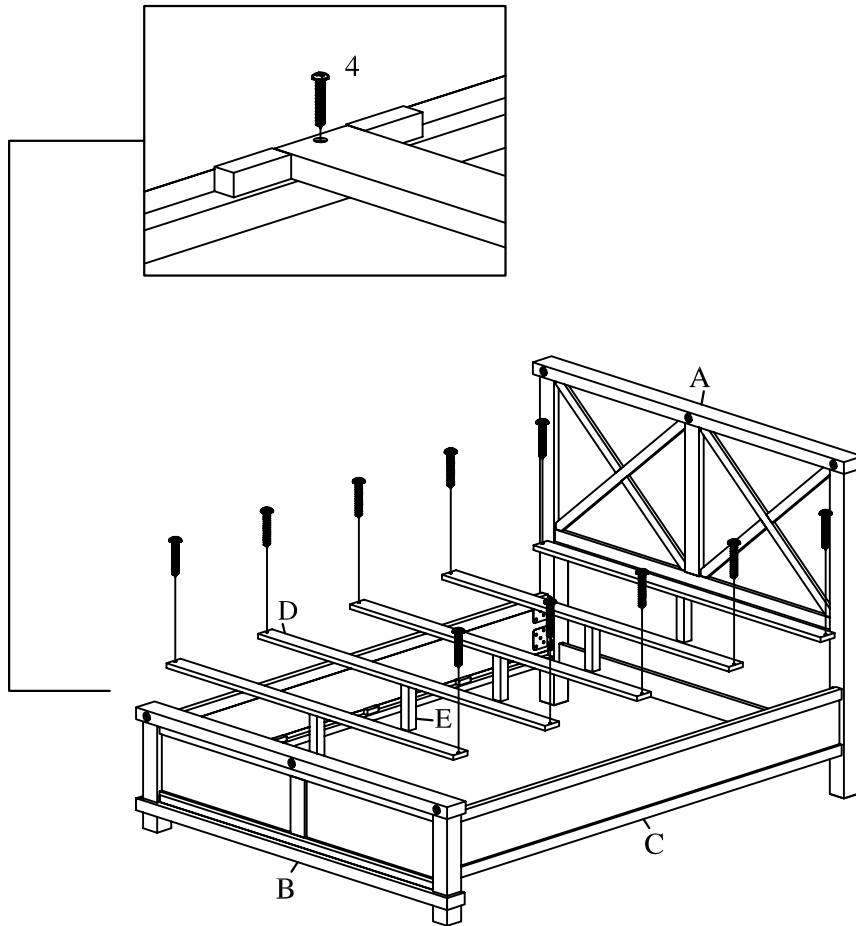
### STEP 4:

ATTACH THE LEG (E) TO THE BED SLATS (D)



## STEP 5:

FOLLOW THE ILLUSTRATION TO PLACE FIVE BED SLATS (D) ON THE BED FRAME. AND SECURE THE BED SLATS (D) USING WOOD SCREWS (4). USE THE PILOT HOLES ON THE SIDERAILS (C) AS YOUR REFERENCE FOR EASY ASSEMBLY.



## STEP 6:

ASSEMBLY COMPLETE

