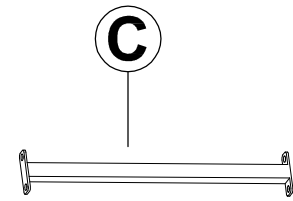
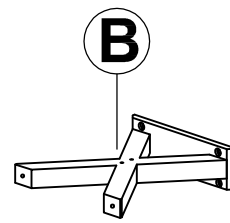
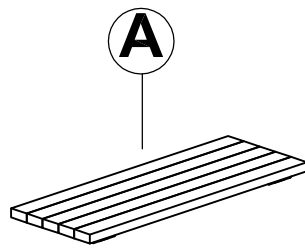


# DUBOIS BENCH ASSEMBLY INSTRUCTIONS



## PARTS PACKING CONFIGURATION

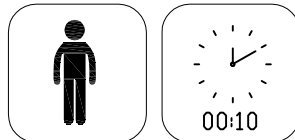
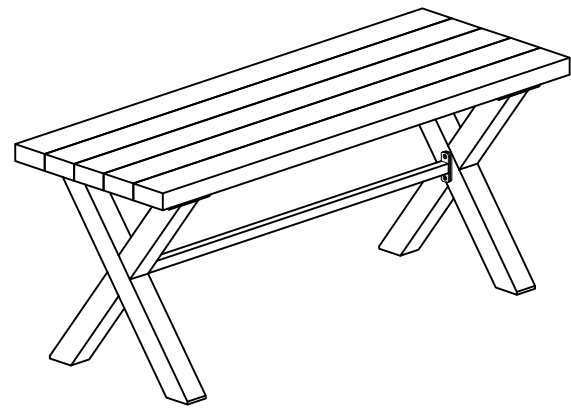
- A. SEAT 1 PC
- B. LEG FRAME 2 PCS
- C. STRETCHER 1 PC



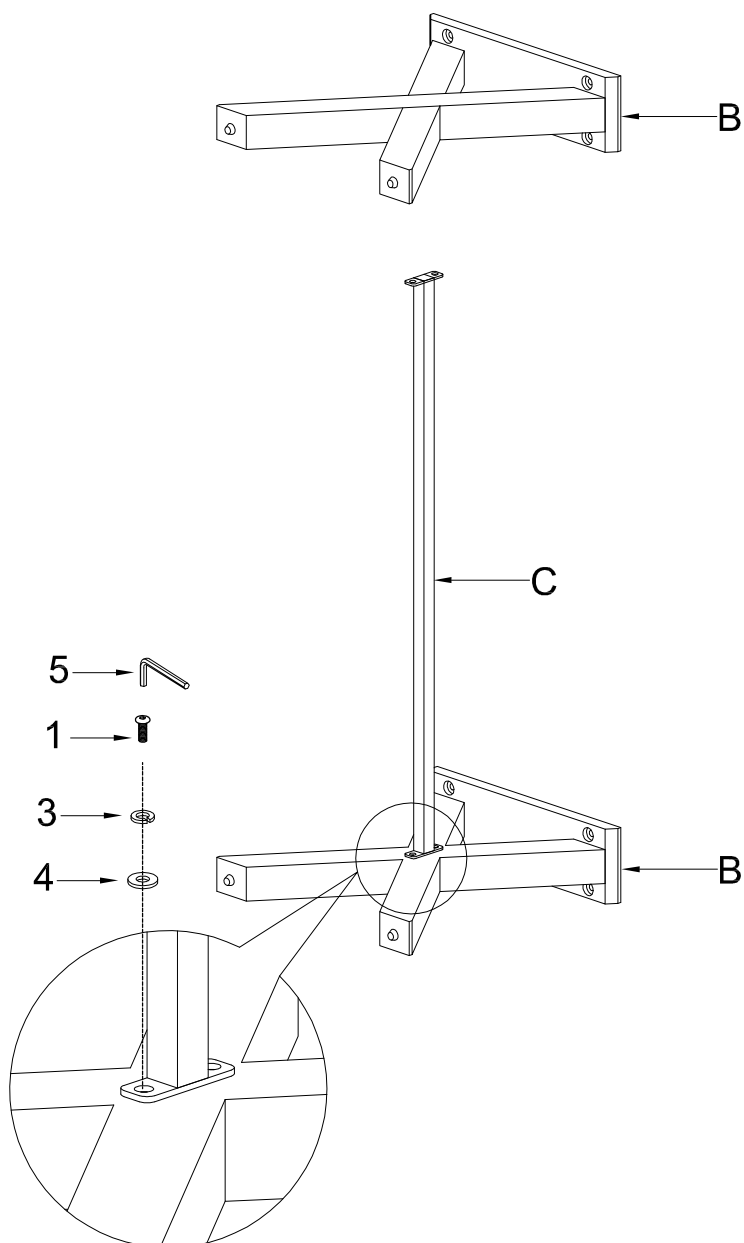
### HARDWARE ENCLOSED IN CARTON

No	Description	Photo	Quantity
1	ALLEN BOLT (1/4" x 1")		4 PCS
2	ALLEN BOLT (5/16" x 1-1/4")		8 PCS
3	LOCK WASHER (1/4")		4 PCS
4	FLAT WASHER (1/4")		4PCS
5	ALLEN KEY(1/4")		1 PC
6	ALLEN KEY(5/16")		1 PC
7	LOCK WASHER (5/16")		8 PCS
8	FLAT WASHER (5/16")		8PCS

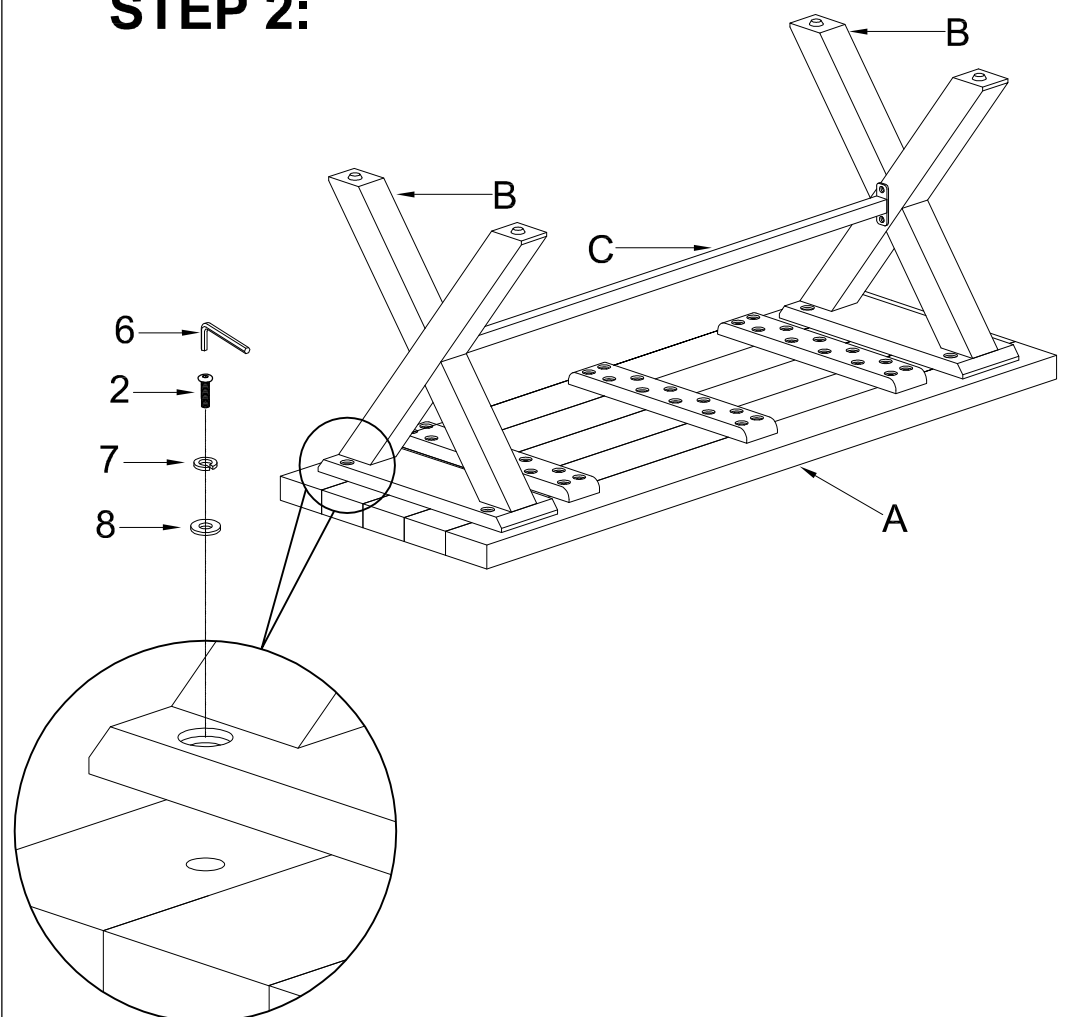
### DUBOIS BENCH FULLY ASSEMBLED



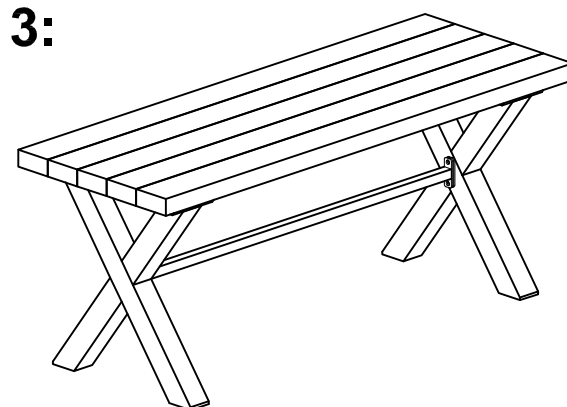
### STEP 1:



### STEP 2:



### STEP 3:



FULLY ASSEMBLED