



Système 3 voies coaxial Type T/P ½" avec douchette sur rail, tête de douche et bec de bain PEX

KIT#1345FI+-SPEX



UPC®

Spécifications

Composition

- TFI45+C - Garniture pour valve 3 voies coaxiale Type T/P
- R45-SPEX - Brut de valve coaxiale 3 voies, sans cartouche, Type T/P PEX
- 6006C - Douchette sur rail
- 408C - Tête de douche 20 cm (8")
- 503C - Bras de douche 40 cm (16")
- 880C - Bec de bain mural
- 747C - Coude de raccordement

Certifications

- CSA B125.1
- ASME A112.18.1
- ASSE 1016

Garantie

Le produit **Riobel Inc.** que vous venez d'acquérir est couvert par une garantie À VIE limitée contre tout vice de fabrication sur les pièces et les finis chrome, PVS et noirs et toutes les pièces actives à partir de la date d'achat. Les autres finis, notamment les plastiques, sont garantis un an. Tous les composants électriques et électroniques sont couverts par une garantie limitée de 5 ans.

Service à la clientèle

Ontario, Ouest Canadien : 888-287-5354 Québec, Maritimes, États-Unis : 866-473-8442

2020.11.23



Garniture pour valve 3 voies coaxiale Type T/P
TFI45+



UPC®

Spécifications

Descriptions

- Commandez le brut R45, R45-SPEX ou R45-EX pour compléter
- Cartouche thermostatique/pression équilibrée coaxiale avec clapets anti-retour
- Garniture seule
- 6 positions (OFF, 1, 1 et 2, 2, 2 et 3, 3) partagées

Débit disponible

- 23 L/min, 6.0 gpm (US) 60psi

Certifications

- CSA B125.1
- ASME A112.18.1
- ASSE 1016

Garantie

Le produit **Riobel Inc.** que vous venez d'acquérir est couvert par une garantie À VIE limitée contre tout vice de fabrication sur les pièces et les finis chrome, PVS et noirs et toutes les pièces actives à partir de la date d'achat. Les autres finis, notamment les plastiques, sont garantis un an. Tous les composants électriques et électroniques sont couverts par une garantie limitée de 5 ans.

Service à la clientèle

Ontario, Ouest Canadien : 888-287-5354 Québec, Maritimes, États-Unis : 866-473-8442

2020.11.23



3-way Type T/P coaxial valve trim
TFI45+



Specifications

Descriptions

- R45, R45-SPEX or R45-EX rough required to complete
- Thermostatic/pressure balance coaxial cartridge with check valves
- Trim only
- 6 positions (OFF, 1, 1 and 2, 2, 2 and 3, 3) share

Available flow

- 23 L/min, 6.0 gpm (US) 60psi

Certifications

- CSA B125.1
- ASME A112.18.1
- ASSE 1016

cUPC®

Warranty

This **Riobel Inc.** product you have purchased carries a Limited Lifetime Warranty on the chrome, PVD finish, blacks and all working parts and is guaranteed from the initial purchase date against all manufacturing defects. All other finishes, including plastic components, are guaranteed for one year. All electric and/or electronic parts are covered by a 5-year limited warranty.

Customer Service

Ontario, West Canada : 888-287-5354 Quebec, Maritimes, United States : 866-473-8442

2020.11.23



20 cm (8") shower head
408



Specifications

Descriptions

- G½" inlet female
- Swivel
- Scale-free

Available colors

- C : Chrome
- BN : Brushed Nickel (PVD)
- PN : Polished Nickel (PVD)

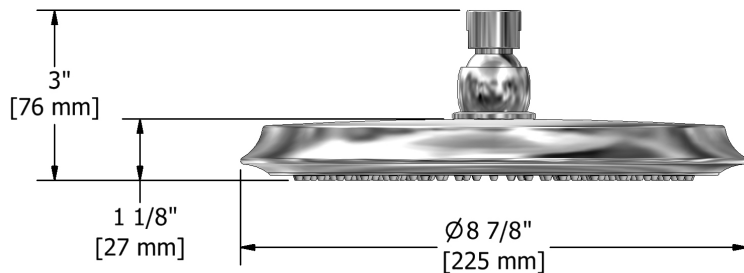
Available flows

- 7.6 L/min, 2.0 gpm (US) 60psi
- 5.69 L/min, 1.5 gpm (US) 60psi (**408-15**)
- 6.6L/min, 1.75 gpm (US) 60psi (**408-WS**) *

EPA certification applicable to the indicated model only

Certifications

- CSA B125.1
- ASME A112.18.1
- CMR248 Approval



Sizes, models and finishes may differ from those presented.

Warranty

This **Riobel Inc.** product you have purchased carries a Limited Lifetime Warranty on the chrome, PVD finish, blacks and all working parts and is guaranteed from the initial purchase date against all manufacturing defects. All other finishes, including plastic components, are guaranteed for one year. All electric and/or electronic parts are covered by a 5-year limited warranty.

Customer Service

Ontario, West Canada : 888-287-5354 Quebec, Maritimes, United States : 866-473-8442

2020.11.23



40 cm (16") shower arm
503



Specifications

Descriptions

- 1/2" inlet male NPT
- Round flange

Available colors

- C : Chrome
- BN : Brushed Nickel (PVD)
- PN : Polished Nickel (PVD)



Sizes, models and finishes may differ from those presented.

Warranty

This **Riobel Inc.** product you have purchased carries a Limited Lifetime Warranty on the chrome, PVD finish, blacks and all working parts and is guaranteed from the initial purchase date against all manufacturing defects. All other finishes, including plastic components, are guaranteed for one year. All electric and/or electronic parts are covered by a 5-year limited warranty.

Customer Service

Ontario, West Canada : 888-287-5354 Quebec, Maritimes, United States : 866-473-8442



Elbow supply
747

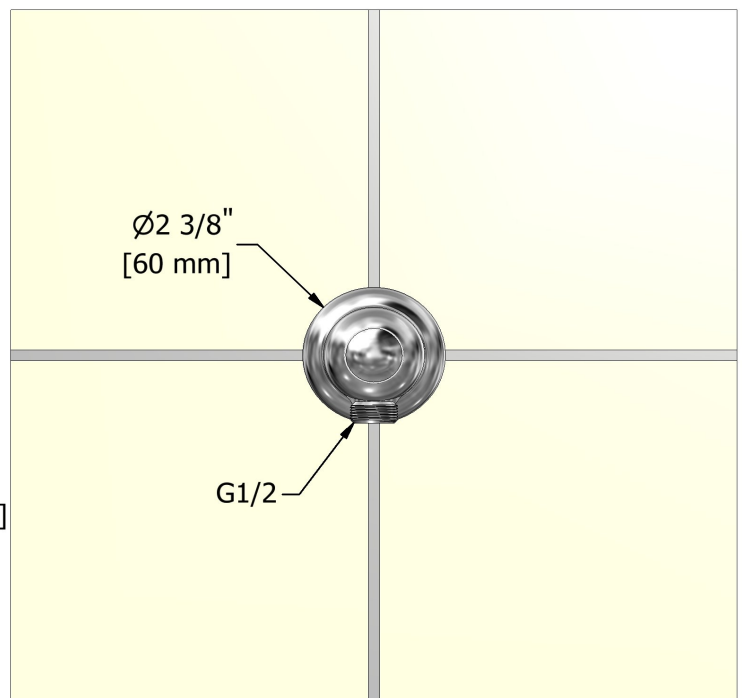
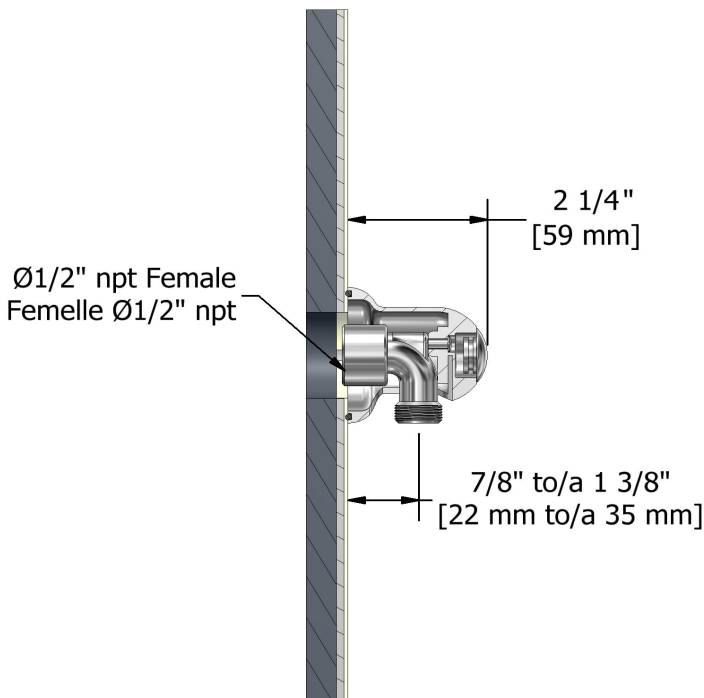
Specifications

Descriptions

- Adjustable depth
- 1/2" outlet male
- 1/2" inlet female NPT

Available colors

- C : Chrome
- BN : Brushed Nickel (PVD)
- PN : Polished Nickel (PVD)



Sizes, models and finishes may differ from thoses presented.

Warranty

This **Riobel Inc.** product you have purchased carries a Limited Lifetime Warranty on the chrome, PVD finish, blacks and all working parts and is guaranteed from the initial purchase date against all manufacturing defects. All other finishes, including plastic components, are guaranteed for one year. All electric and/or electronic parts are covered by a 5-year limited warranty.

Customer Service

Ontario, West Canada : 888-287-5354 Quebec, Maritimes, United States : 866-473-8442