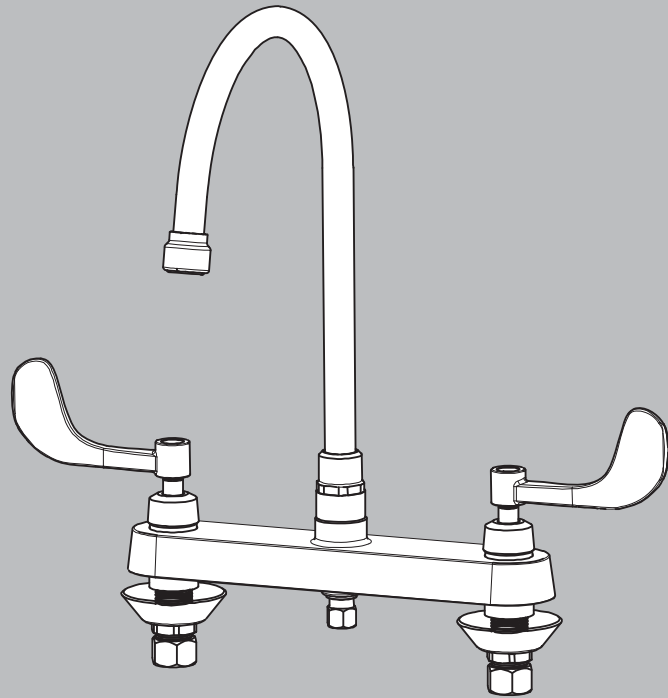


INSTRUCTIONS FOR MODELS

SC-5724
SC-5724-E



NEED HELP?

For additional assistance or service please contact:

SPEAKMAN® Company
400 Anchor Mill Road
New Castle, DE 19720

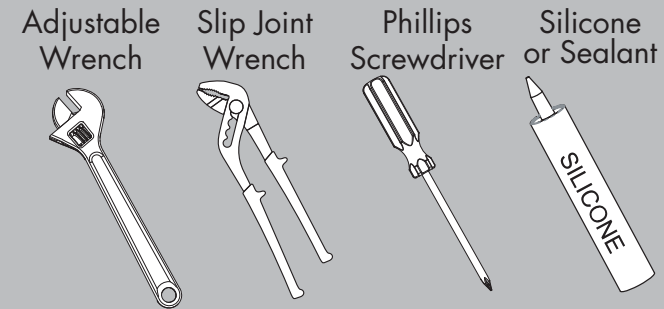
800-537-2107

customerservice@speakman.com

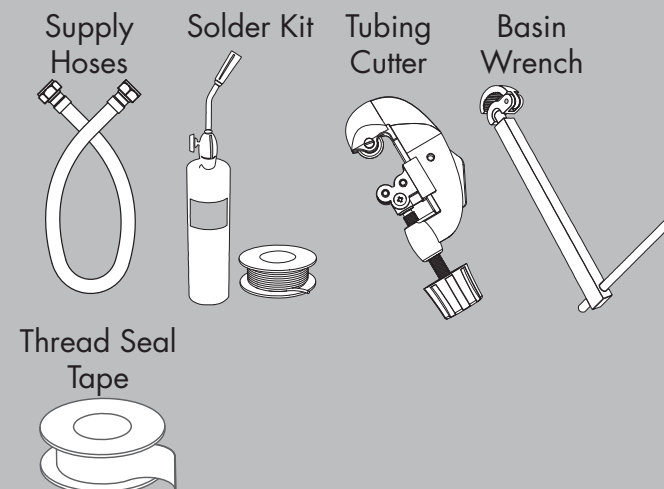
www.speakman.com

92-SC-5724-09

TOOLS AND SUPPLIES



HELPFUL TOOLS & SUPPLIES:



IMPORTANT

Do not overtighten any connections or damage may occur.

- This installation manual covers several models. While the appearance of your faucet may vary, the installation steps required are the same as shown in this manual.

- Be sure to read instructions thoroughly before beginning installation.

- This faucet has an operating range of 20-80 psi.

SAFETY TIPS

Cover your drain to prevent loss of parts. Be sure to wear eye protection while cutting pipe.

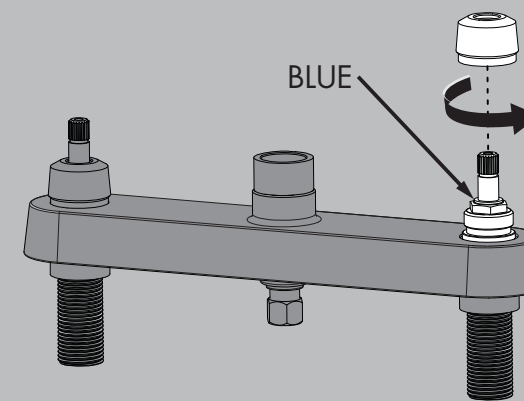
MAINTENANCE

Your new Lavatory Faucet is designed for years of trouble-free performance. Keep it looking new by cleaning it periodically with a soft cloth. Avoid abrasive cleaners, steel wool, and harsh chemicals as these will dull the finish and void your warranty.

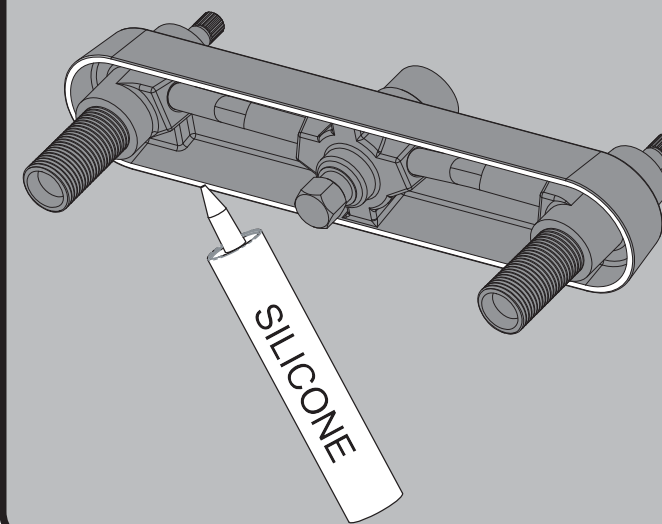
WARRANTY

Additional warranty information can be found at: www.speakman.com

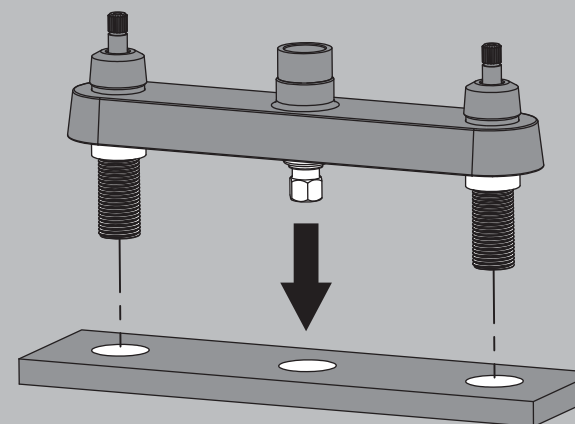
1 Unthread and remove one trim collar to verify the cold or hot valve. The cold valve will be marked BLUE, and the hot valve will be marked RED. Orient the faucet base so the "BLUE" valve is on the right hand side. Reinstall the Trim Collar.



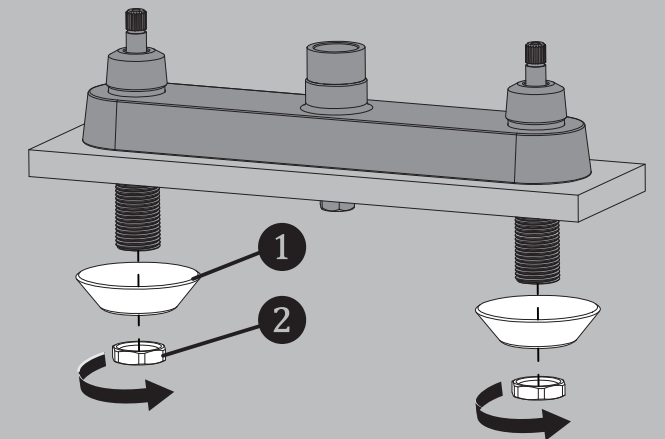
2 Apply Silicone or sealant to base of faucet.



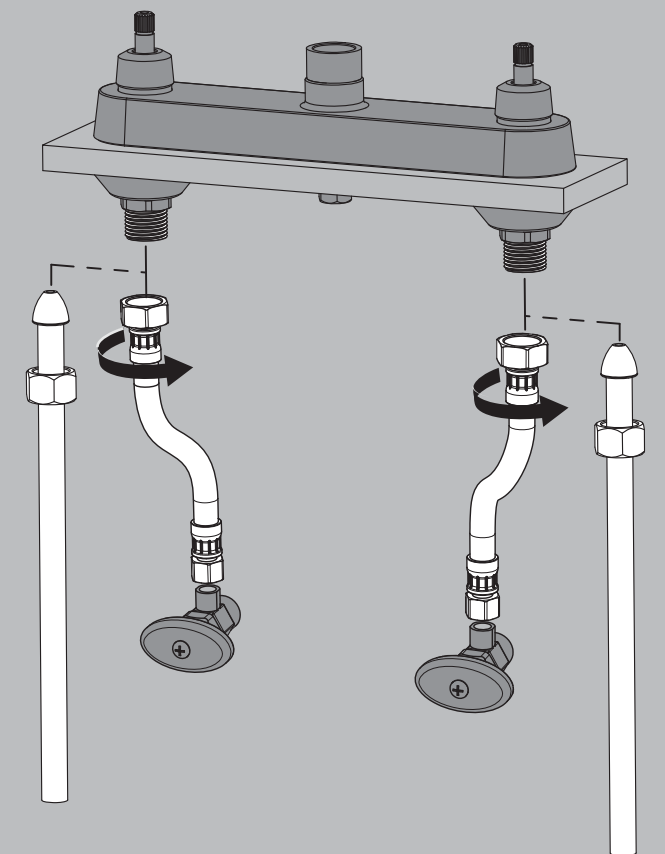
3 Position faucet onto mounting surface and press down firmly to set the sealant.



4 From beneath sink, install Cup Washers (1) and Shank Nuts (2) onto Shanks of Faucet. Wrench tighten. From above sink remove excess sealant from around the base of the faucet.

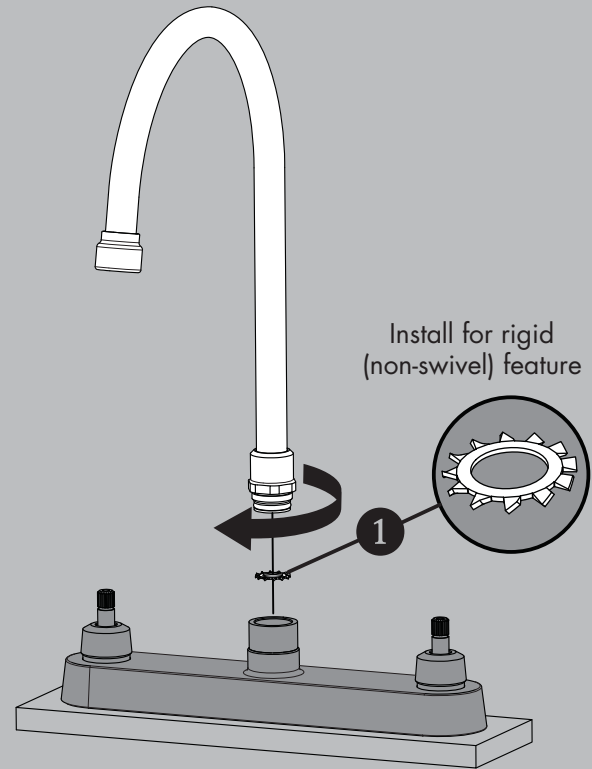


5 Connect water supplies to faucet inlets (1/2-14 NPSM) and wrench tighten.

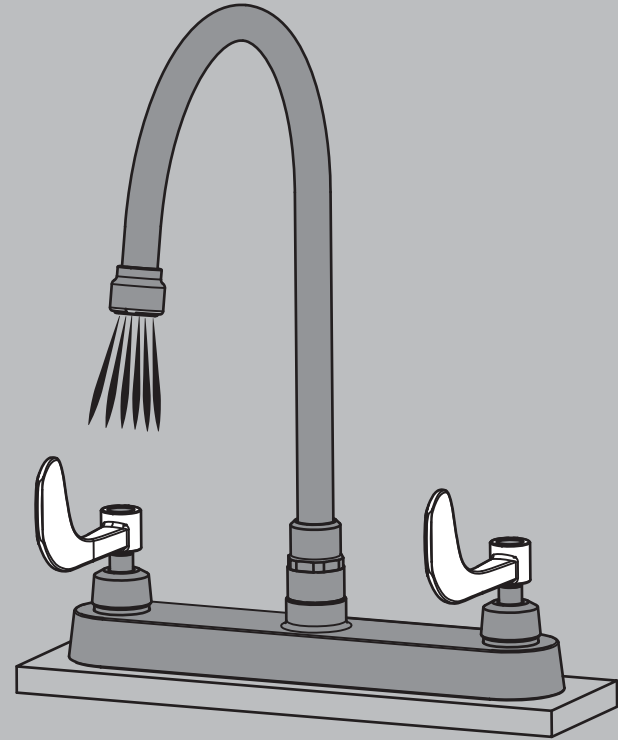


NOTE: Supply Lines and Shut-Off Valves not included.

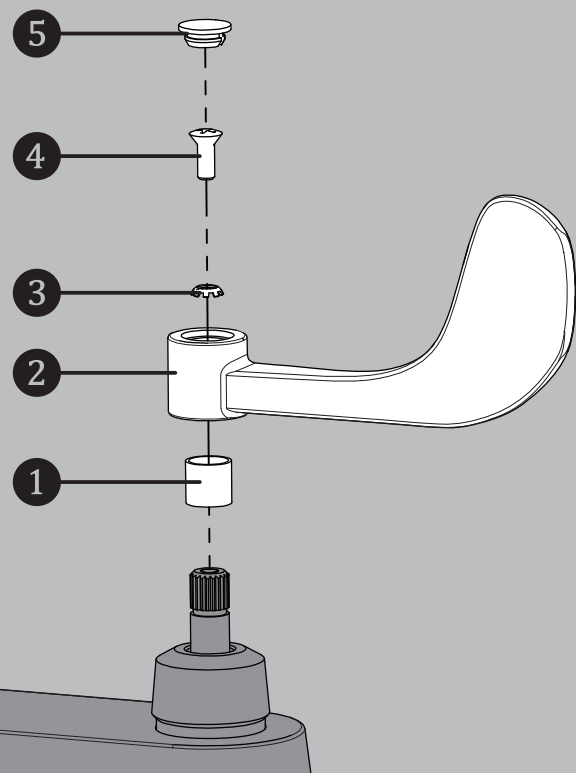
6 Install the Gooseneck Spout to the Faucet Body. If you wish to have a non-swivel spout, place the supplied lock washer (1) between the Gooseneck Spout and the Faucet Body. Wrench tighten Gooseneck Spout Collar to Faucet Base.



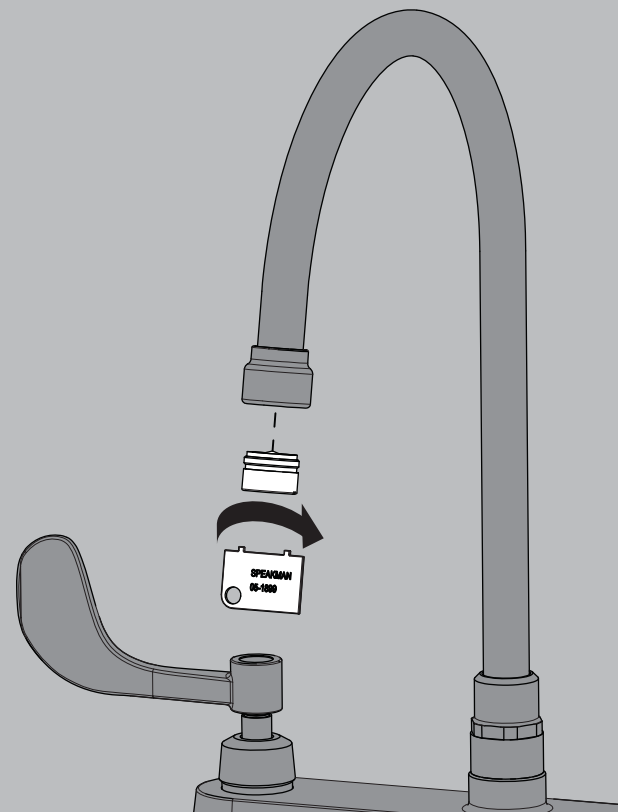
8 Turn on water supplies and flush both COLD and HOT cartridges for one minute, while checking for leaks.



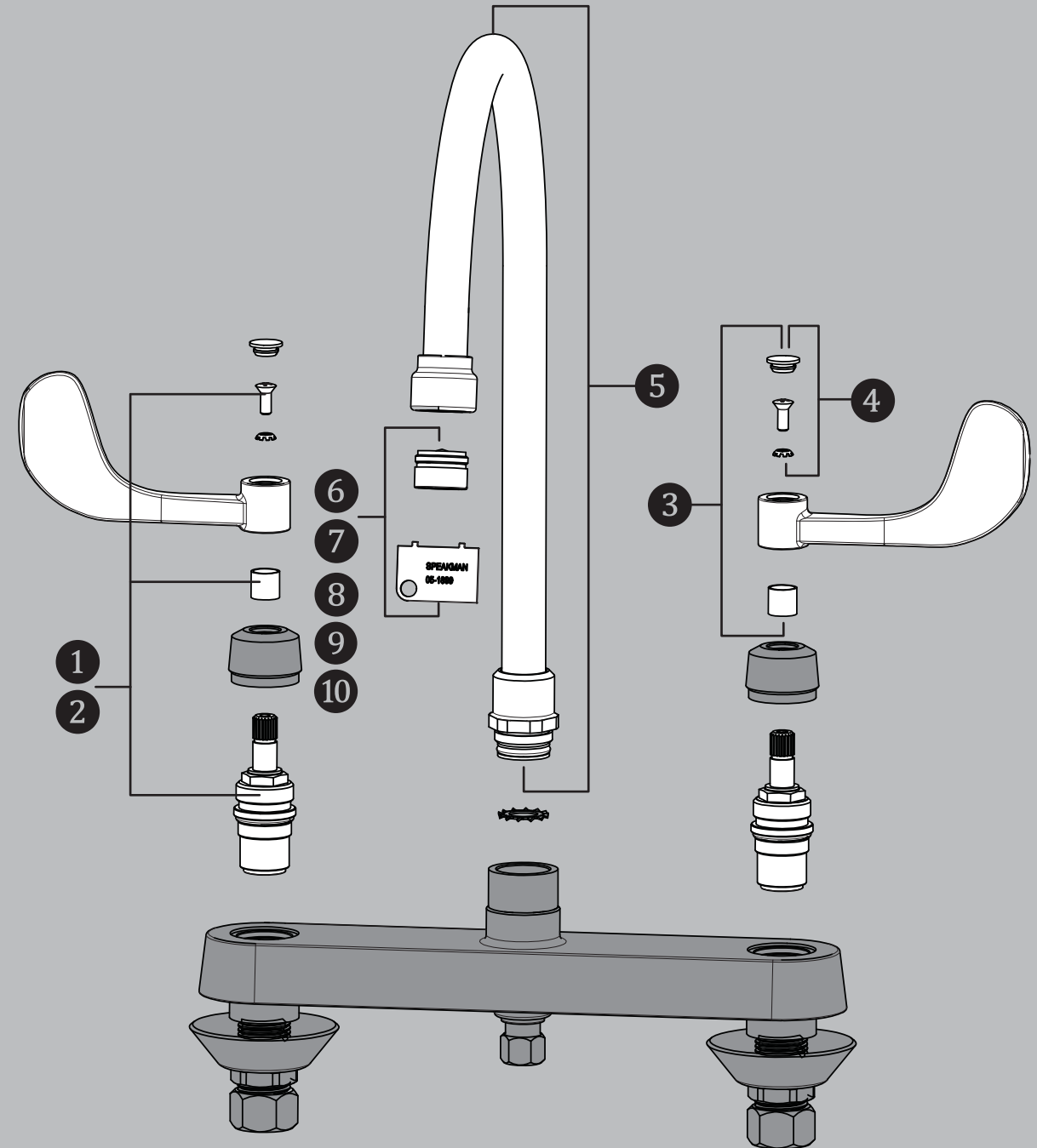
7 Install the Trim Sleeves (1) over the spindles, followed by the Handles (2), Lock Washers (3), and secure with Handle Screws (4). Install Index Buttons (5) into handles (Blue on right handle, Red on left handle).



9 Turn off COLD and HOT handles and install supplied Spray Outlet with supplied Wrench.

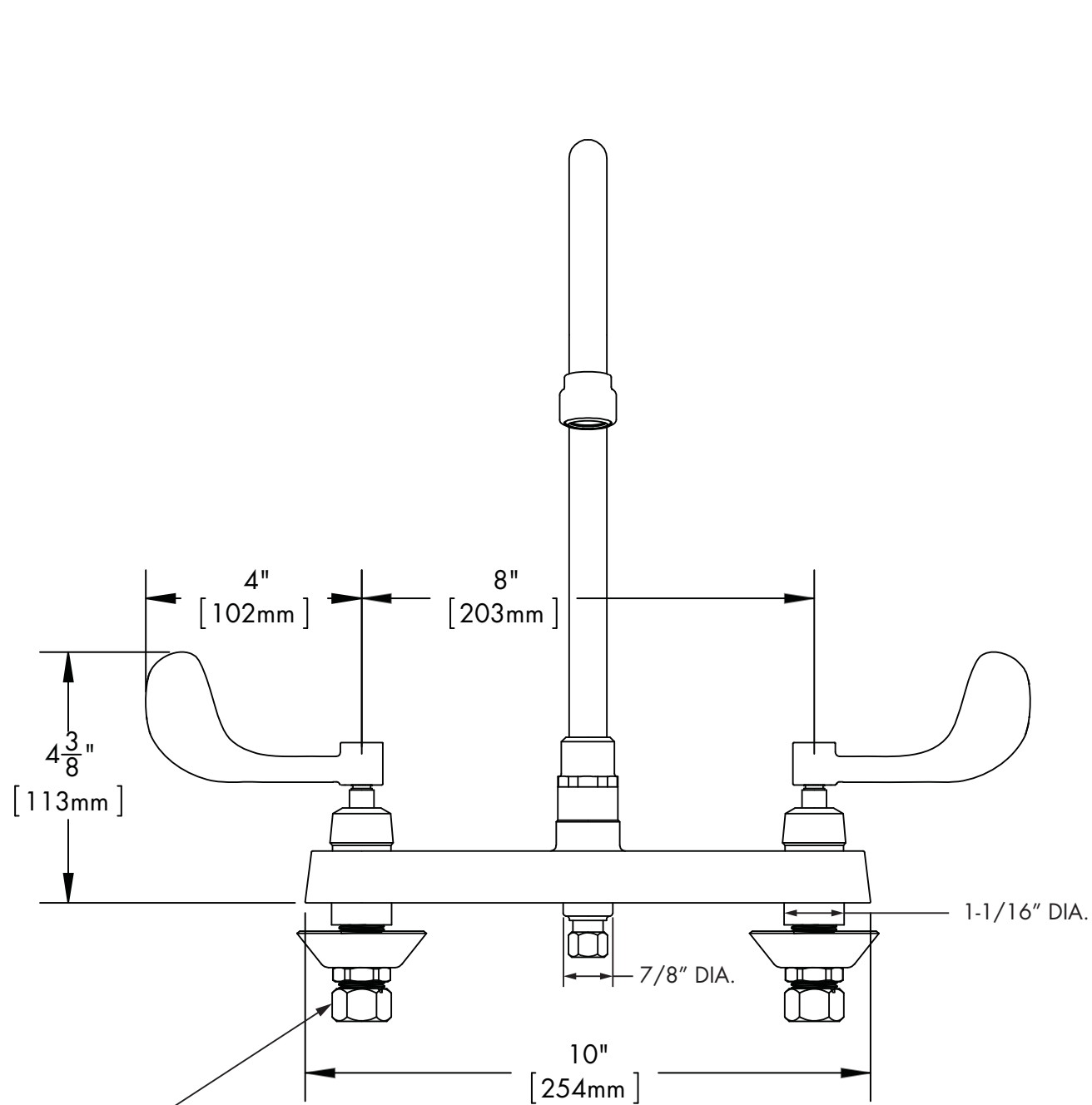


SC-5724 REPAIR PARTS

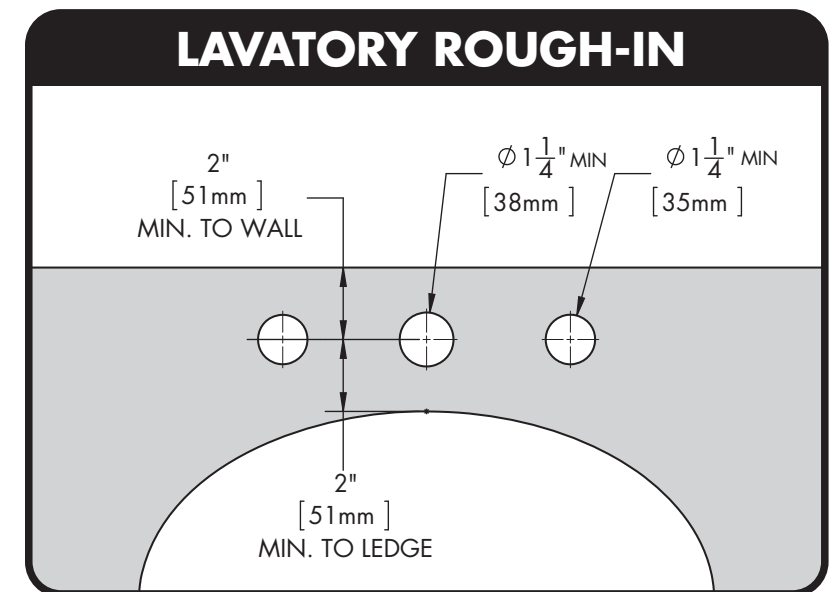
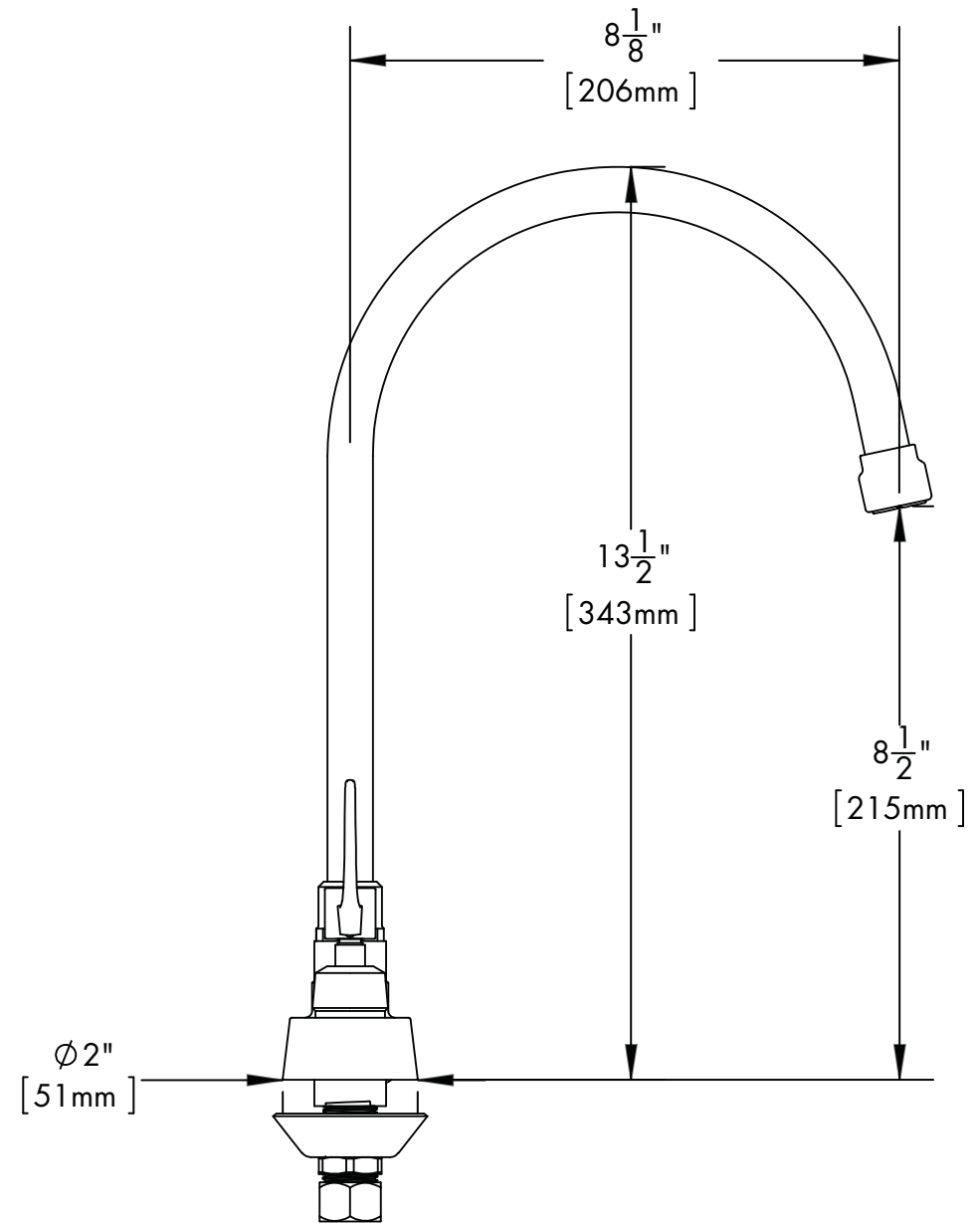


ITEM NO.	PART NO.	DESCRIPTION
1	RPG05-0532-CA	PERFECT VALVE GROUP (RED/HOT) WITH TRIM SLEEVE AND SCREW
2	RPG05-0533-CA	PERFECT VALVE GROUP (BLUE/COLD) WITH TRIM SLEEVE AND SCREW
3	RPG04-0316-PC	4" WRIST BLADE HANDLE GROUP
4	RPG41-0285	RED, BLUE, AND WHITE INDEX BUTTONS WITH SCREWS AND LOCK WASHERS
5	G18-0217-CA	8" GOOSENECK SPOUT ASSEMBLY
6	RPG05-0837-PC	1.5 GPM AERATOR ASSEMBLY WITH WRENCH
7	RPG05-0851-PC	1.5 GPM LAMINAR FLOW OUTLET ASSEMBLY WITH WRENCH
8	A-EA12	1.2 GPM AERATOR ASSEMBLY WITH WRENCH
9	A-ELF	1.2 GPM LAMINAR FLOW OUTLET ASSEMBLY WITH WRENCH
10	RPG38-0128-PC	BOCA 0.5 GPM FLOW OUTLET ASSEMBLY WITH WRENCH (-E)

SC-5724 ROUGH-IN DIAGRAM



1/2"-14 NPSM INLETS.
(SUPPLY LINES NOT INCLUDED)



DIMENSIONS SUBJECT TO CHANGE WITHOUT NOTICE.