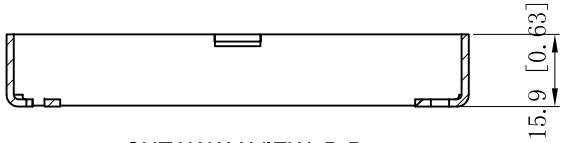
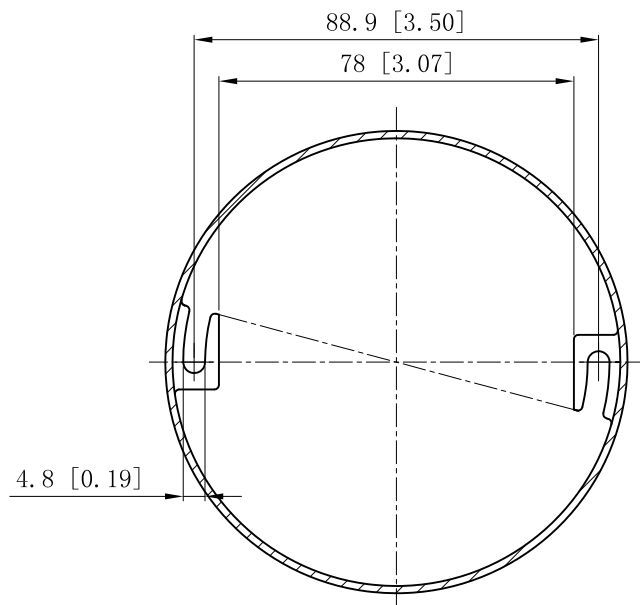
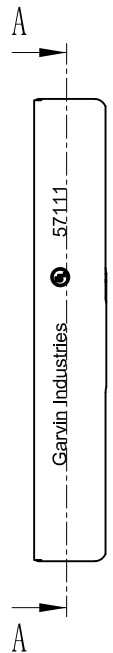
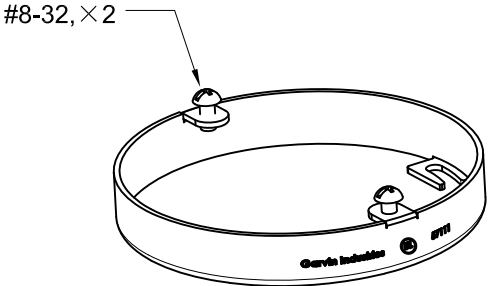
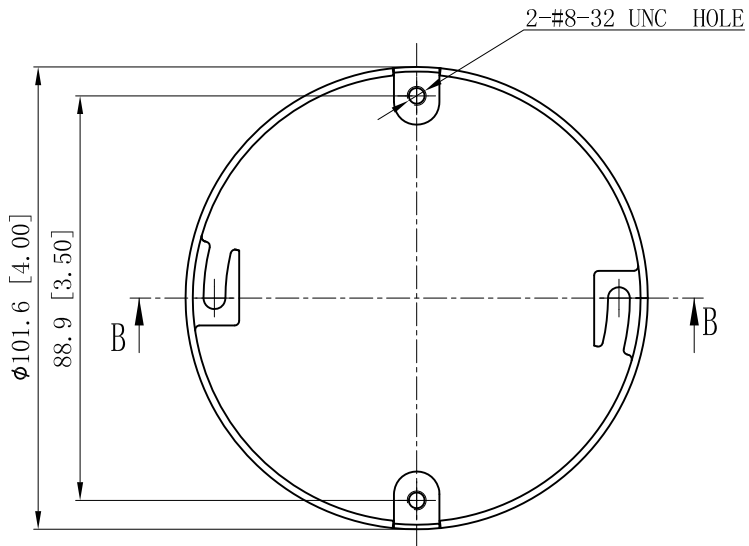


SIDES	BOTTOM
2 PCS 8-32×1/2 Screws Installed	
Material:Steel-0.0625"-G60 Galvanized	



CUTAWAY VIEW B-B



CUTAWAY VIEW A-A

This data sheet is for reference only .GARVIN INDUSTRIES reserves the right to make changes to the design without prior notice.

DESCRIPTION
TRADE REFERENCE TERMS

STANDARD PACKING	GARVIN INDUSTRIES		
	TITLE		
	SIZE	DWG NO.	REV
	A4	57111	A
	DATA SHEET		