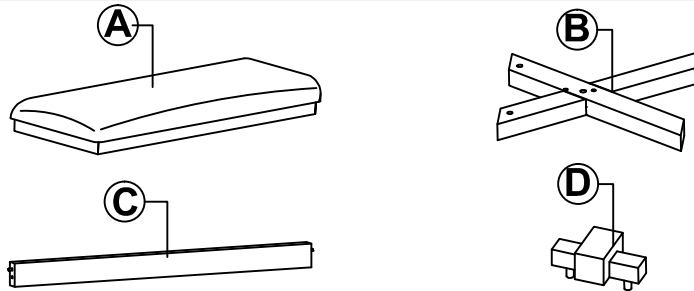


# BEAUVOIR BENCH ASSEMBLY INSTRUCTIONS



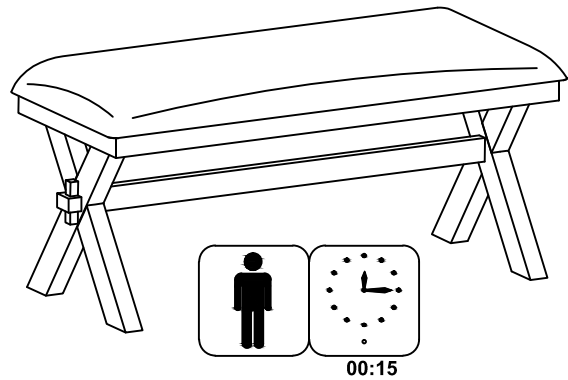
## PARTS PACKING CONFIGURATIONS

- A. BENCH SEAT 1 PC
- B. BENCH LEG 2 PCS
- C. CENTER STRETCHER 1 PC
- D. WOOD PLUG DECOR 2 PCS

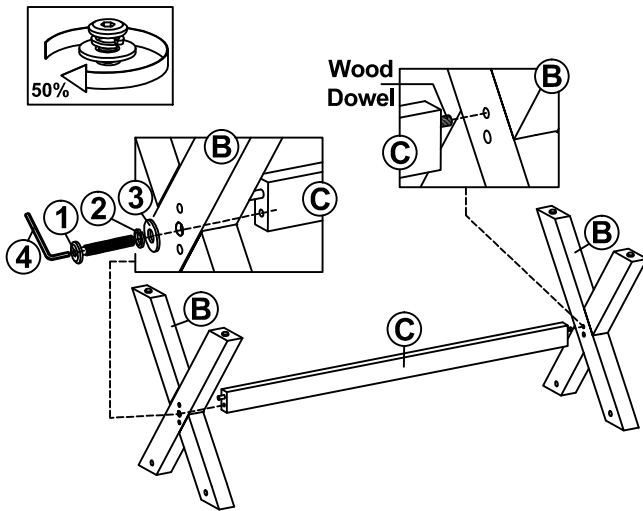


### HARDWARE PACKED IN BOX

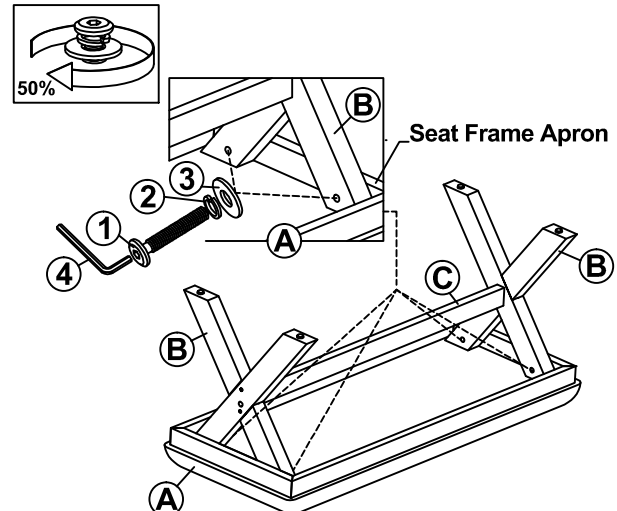
No.	Description	Image	Quantity
1	Allen Bolt (1/4" x 60mm)		6 pcs
2	Lock Washer (5/16")		6 pcs
3	Flat Washer (5/16")		6 pcs
4	Allen Key		1 pc



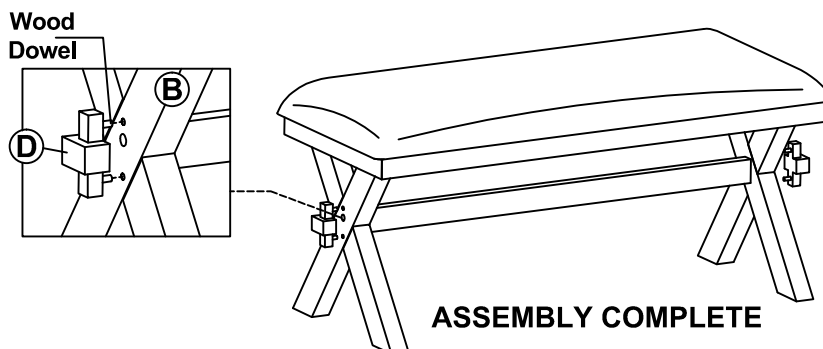
### STEP 1:



### STEP 2:



### STEP 3:



FULLY TIGHTEN ALL BOLTS IN STEPS 1, & 2.