

# Assembly Guide



*Bush*  
FURNITURE

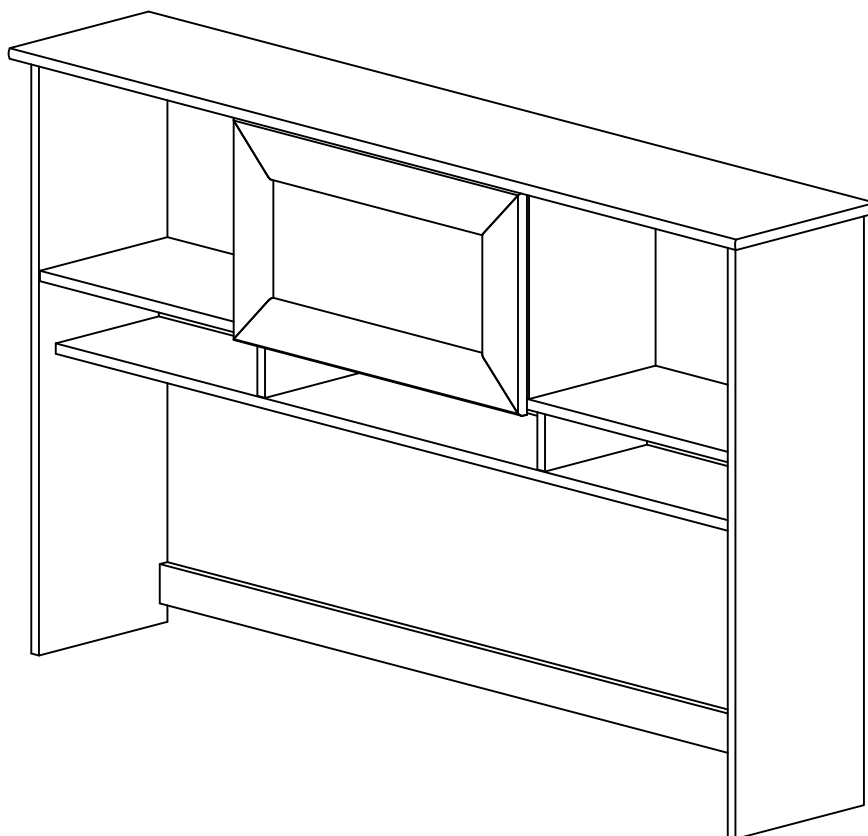


If you're having any difficulty during assembly of this product, don't hesitate to call us at **1-800-950-4782.**

Our customer service experts are trained to provide step-by-step instruction and can easily replace any missing or damaged parts.

**Representatives are available Monday-Friday from 8:30 a.m. to 7:30 p.m. (ET)**

## 60" Hutch



Lot Code #

Instruction Sheet Number A213424

Keep manual for future reference.

## For best results, keep these tips in mind:

- ① We know you want to finish this assembly as quickly as possible, but trust us: you'll have a better experience if you take it one step at a time.
- ② Give yourself some room to work near where you want the fully assembled product.
- ③ If your floor isn't carpeted, assemble this product on the empty carton to avoid scratching.
- ④ Do you have a friend who owes you a favor? Some steps may go a little easier with a second set of hands.

### DOs

- ✔ Use a #2 Phillips head screwdriver (or other handheld tools as indicated)
- ✔ Wear safety glasses at all times during assembly
- ✔ Carefully follow the instructions in this guide and complete all steps in order
- ✔ Give us a call if you're having trouble with a particularly tricky step

### DON'Ts

- ✘ We know power tools are quick and easy, but you shouldn't use them when assembling this product (unless otherwise specified)
- ✘ Never move your furniture with items inside or resting on the surface
- ✘ Do not attempt to use this product before all steps have been completed

## Watch assembly videos right on your phone or computer!



Some steps include QR codes that link to helpful videos. Watch out for the icon on the left! Simply open up your smartphone camera to scan the code.

*(Users of older smartphones may need to install a QR Reader.)*

### SCAN HERE



FOR VIDEOS

Or visit <https://www.bushfurniture.com/CustomerService/HowtoAssemble.aspx>



# IMPORTANT SAFETY INFORMATION



## PLEASE READ WARNINGS

Improper use can cause safety hazards, or damage to your furniture and household items.

Caution	Do	Don't	Why it's important
<b>Injury may occur.</b>	<ul style="list-style-type: none"><li>• Handle glass carefully during assembly.</li><li>• Use proper eye and hand protection.</li></ul>	<ul style="list-style-type: none"><li>• Do not exceed maximum load limits stated in the instructions.</li></ul>	<ul style="list-style-type: none"><li>• Improper handling or loading may result in glass breakage.</li></ul>

Atención	Hacer	No	Por qué es importante
<b>Se pueden producir lesiones.</b>	<ul style="list-style-type: none"><li>• Manipule el vidrio con cuidado durante el montaje.</li><li>• Use protección adecuada para los ojos y las manos.</li></ul>	<ul style="list-style-type: none"><li>• No exceda los límites máximos de carga establecidos en las instrucciones.</li></ul>	<ul style="list-style-type: none"><li>• La manipulación o carga inadecuadas pueden provocar la rotura del vidrio.</li></ul>

Attention	Faire	Ne le fais pas	Pourquoi c'est important
<b>Des blessures peuvent survenir.</b>	<ul style="list-style-type: none"><li>• Manipulez le verre avec précaution lors du montage.</li><li>• Utilisez une protection appropriée pour les yeux et les mains.</li></ul>	<ul style="list-style-type: none"><li>• Ne dépassez pas les limites de charge maximale indiquées dans les instructions.</li></ul>	<ul style="list-style-type: none"><li>• Une manipulation ou un chargement incorrect peut entraîner la rupture du verre.</li></ul>

# IMPORTANT SAFETY INFORMATION



## PLEASE READ WARNINGS

Improper use can cause safety hazards, or damage to your furniture and household items.

Warning	Do	Don't	Why it's important
<b>Serious injury may occur.</b>	<ul style="list-style-type: none"><li>Assemble following all instructions using all indicated parts and hardware provided.</li><li>Attach hutch only as described in the instructions.</li><li>Verify furniture is stable on it's own.</li><li>Only place against a permanent wall structure at least as tall as the hutch or place back-to-back with hutch of same size.</li></ul>	<ul style="list-style-type: none"><li>Do not move unit when loaded.</li><li>Do not load with a television or other heavy equipment.</li><li>Do not exceed the maximum load limits stated in the instructions.</li><li>Do not allow children to climb, or hang on furniture.</li></ul>	Improper assembly, use or loading can lead to product instability, tip-over or collapse.

Advertencia	Hacer	No	Por qué es importante
<b>Se pueden producir lesiones graves.</b>	<ul style="list-style-type: none"><li>Ensamble siguiendo todas las instrucciones utilizando todas las piezas y ferretería indicados provistos.</li><li>Conecte la conejera solo como se describe en las instrucciones.</li><li>Verifique que los muebles sean estables por sí mismos.</li><li>Solo colóquelo contra una estructura de pared permanente al menos tan alta como la conejera o colóquelo espalda con espalda con una conejera del mismo tamaño.</li></ul>	<ul style="list-style-type: none"><li>No mueva la unidad cuando esté cargada.</li><li>No cargue con un televisor u otro equipo pesado.</li><li>No exceda los límites máximos de carga establecidos en las instrucciones.</li><li>No permita que los niños se paren, trepen o cuelguen de muebles.</li></ul>	El ensamblaje, uso o carga inadecuados pueden provocar inestabilidad del producto, vuelco o colapso.

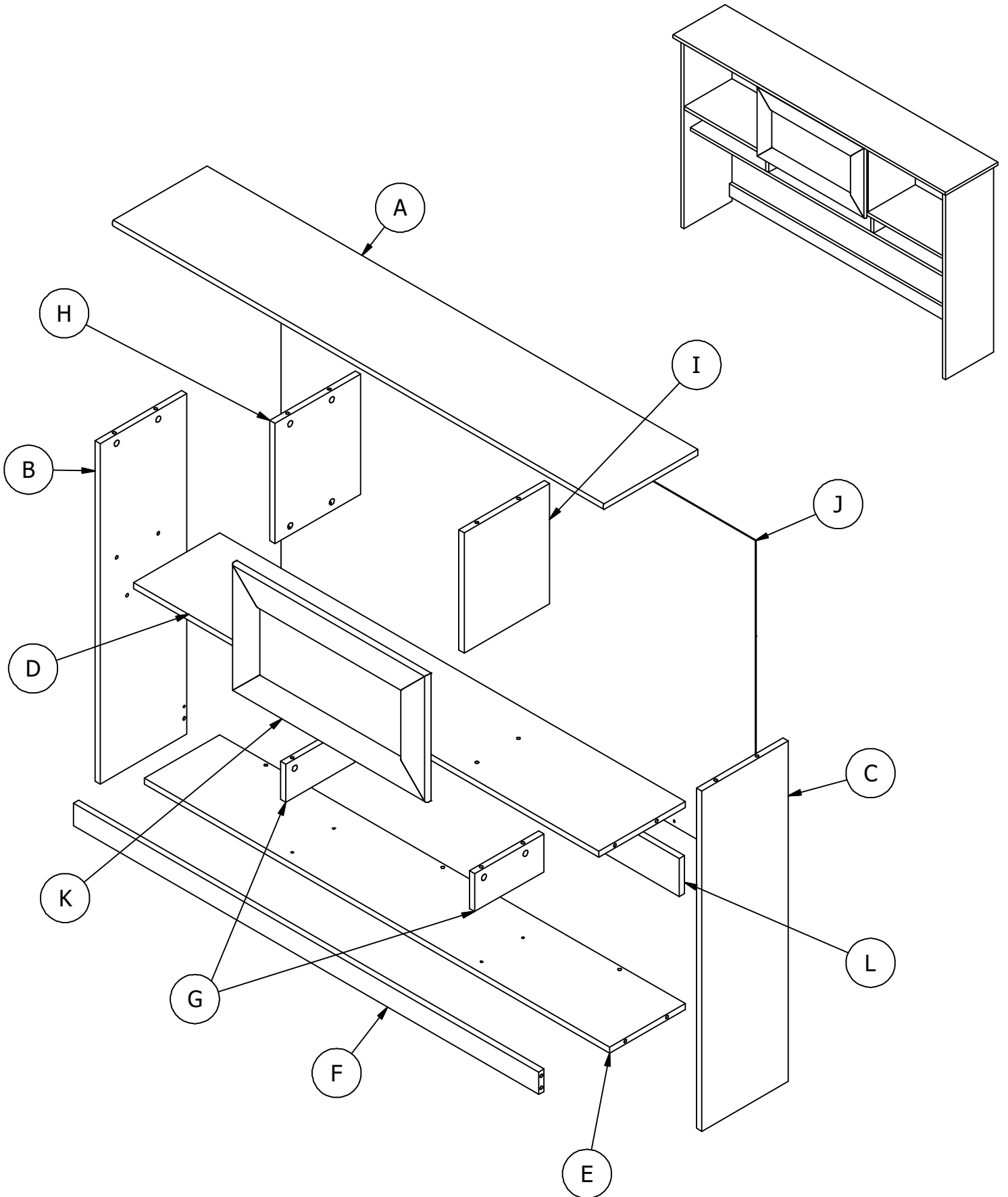
## IMPORTANT SAFETY INFORMATION



# PLEASE READ WARNINGS

Improper use can cause safety hazards, or damage to your furniture and household items.

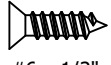
Avertissement	Faire	Ne le fais pas	Pourquoi c'est important
<b>Des blessures graves peuvent survenir.</b>	<ul style="list-style-type: none"><li>• Assemblez en suivant toutes les instructions en utilisant toutes les pièces et le matériel indiqués fournis.</li><li>• Fixez la huche uniquement comme décrit dans les instructions.</li><li>• Vérifiez que les meubles sont stables par eux-mêmes.</li><li>• Placer uniquement contre une structure murale permanente au moins aussi haute que la huche ou placer dos à dos avec une huche de même taille.</li></ul>	<ul style="list-style-type: none"><li>• Ne déplacez pas l'unité lorsqu'elle est chargée.</li><li>• Ne chargez pas avec un téléviseur ou un autre équipement lourd.</li><li>• Ne dépassez pas les limites de charge maximale indiquées dans les instructions.</li><li>• Ne laissez pas les enfants grimper ou s'accrocher aux meubles.</li></ul>	Un assemblage, une utilisation ou un chargement incorrects peuvent entraîner une instabilité du produit, un renversement ou un effondrement.



Have an assembly question or need a replacement part? Just call  
**1-800-950-4782**, we are here to help.

Fasteners are shown actual size.

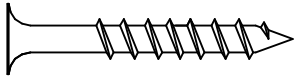
H28917 [ 8 ]  
(Silver) #6 x 1/2"



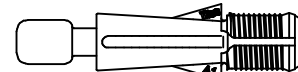
H72988 [ 2 ]  
KD Bolt



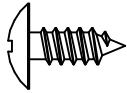
H23198 [ 4 ]  
(Black) #10 x 1-1/2"



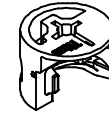
H171556 [ 28 ]  
Quickfit TL4



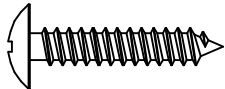
H35251 [ 9 ]  
(Black) #10 x 1/2"



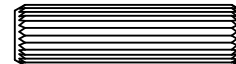
H181468US [ 30 ]  
KD Cam3000



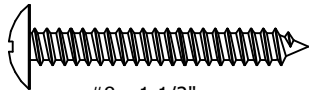
H23682 [ 8 ]  
#10 x 1"



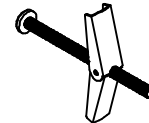
H38169 [ 4 ]  
Wood Dowel 8 x 30



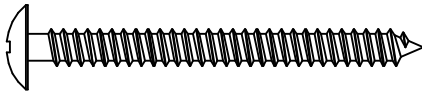
H107572 [ 1 ]  
#8 x 1-1/2"



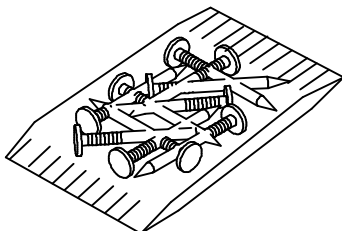
H181419 [ 1 ]  
Toggle Bolt



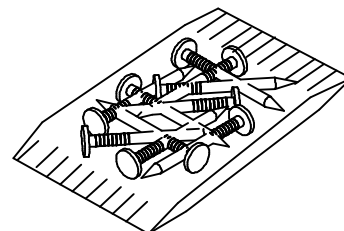
H181434 [ 1 ]  
#10 x 2"



Q85389 [ 2 ]  
Nail Bag (20)

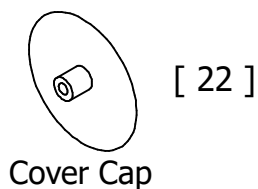
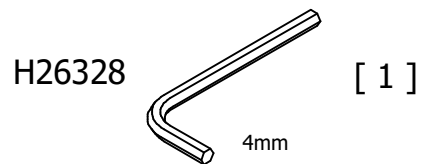
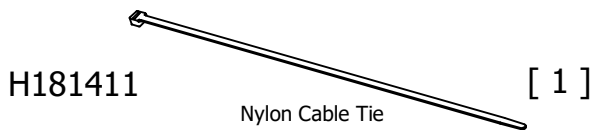
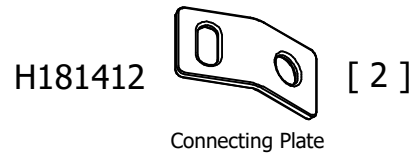
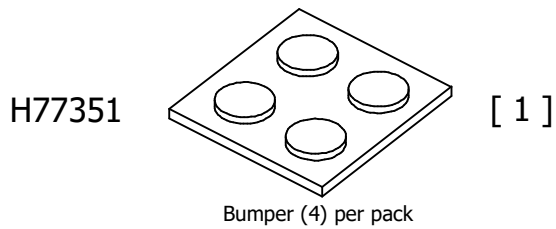
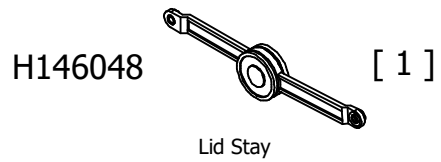
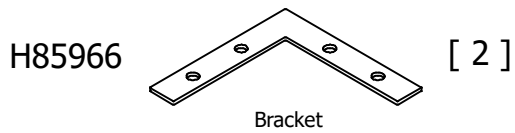
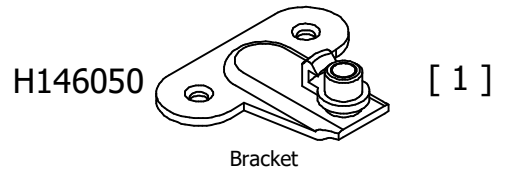
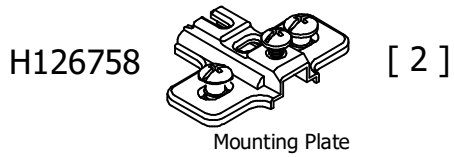
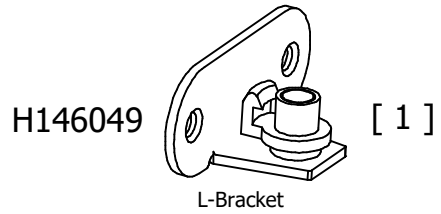
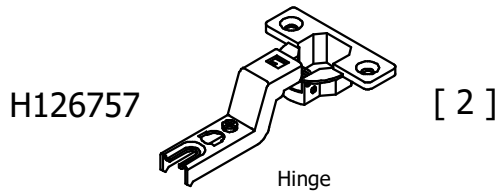


Q75494 [ 1 ]  
Nail Bag (10)



Have an assembly question or need a replacement part? Just call  
**1-800-950-4782**, we are here to help.

Hardware not to scale.



Have an assembly question or need a replacement part? Just call **1-800-950-4782**, we are here to help.

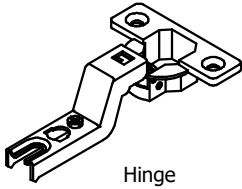


# STEP 1

## Prepare Door

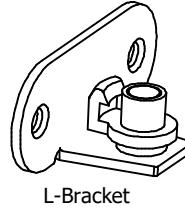
A213424

H126757



[ 2 ]

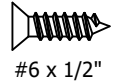
H146049



[ 1 ]

H28917

(Silver)

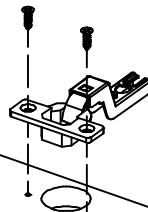
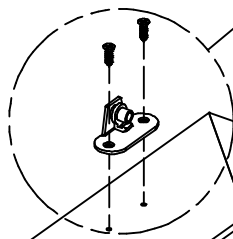
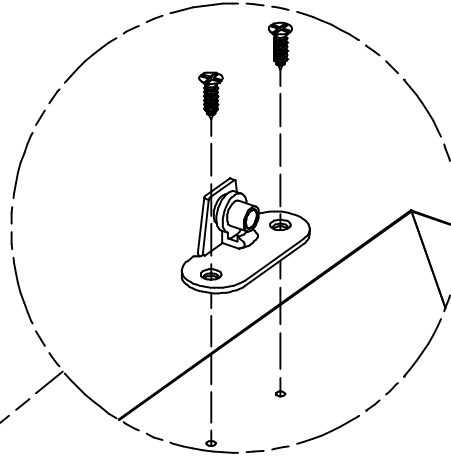


[ 6 ]

H77351



[ 2 ]



K

5/8"  
16mm

1-3/8"  
35mm

1-3/8"  
35mm

5/8"  
16mm

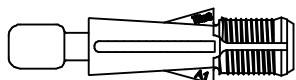
Have an assembly question or need a replacement part? Just call  
**1-800-950-4782**, we are here to help.

# STEP 2

# Prepare Panel

A213424

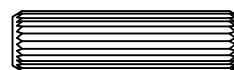
H171556



Quickfit TL4

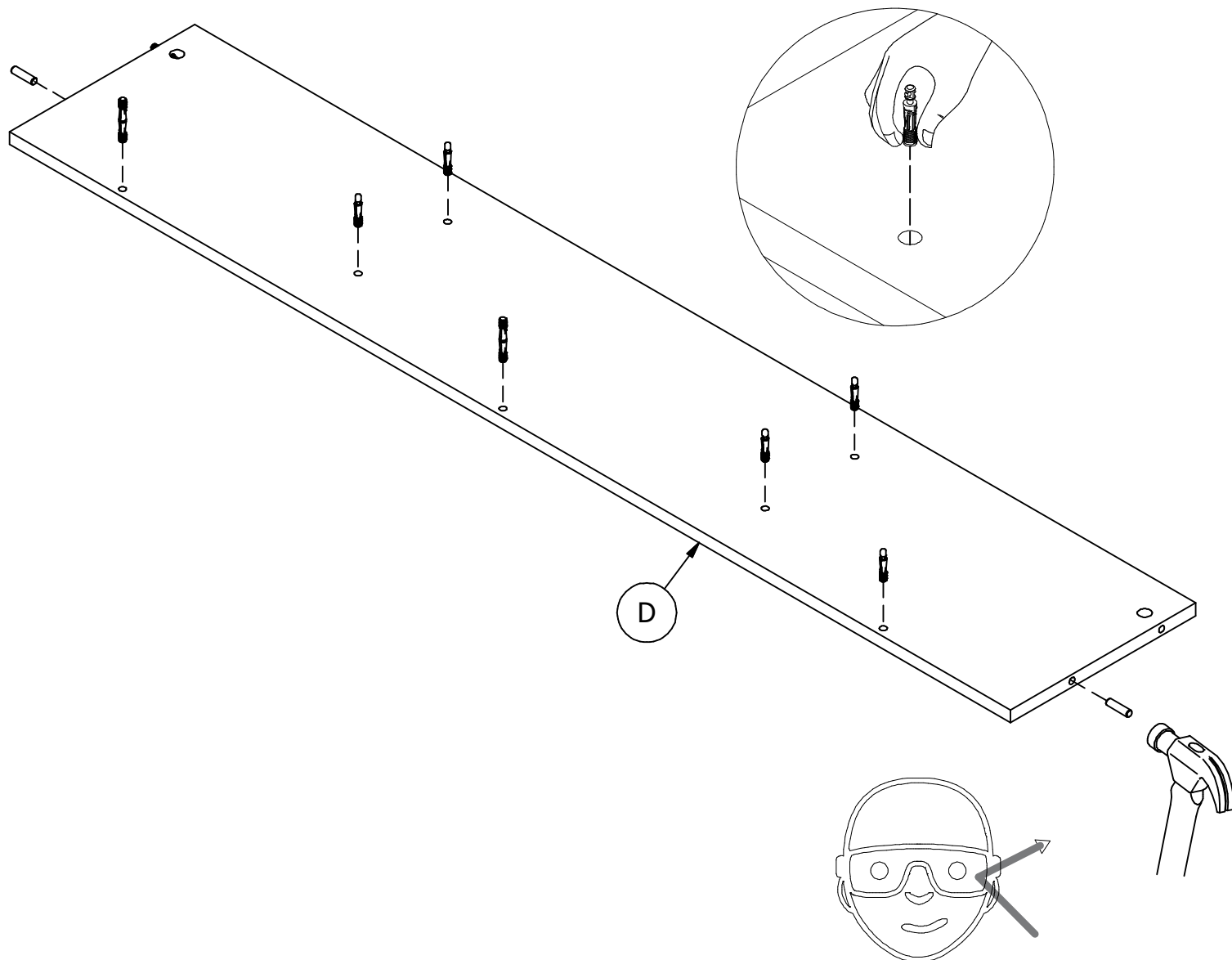
[ 7 ]

H38169



Wood Dowel 8 x 30

[ 2 ]



Safety glasses  
Gafas de seguridad  
Lunettes de protection

Have an assembly question or need a replacement part? Just call  
**1-800-950-4782**, we are here to help.

# STEP 3

# Assemble Panels

A213424

Scan QR Code to Watch Video on:

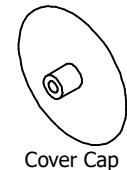


How to Tighten KD Cams

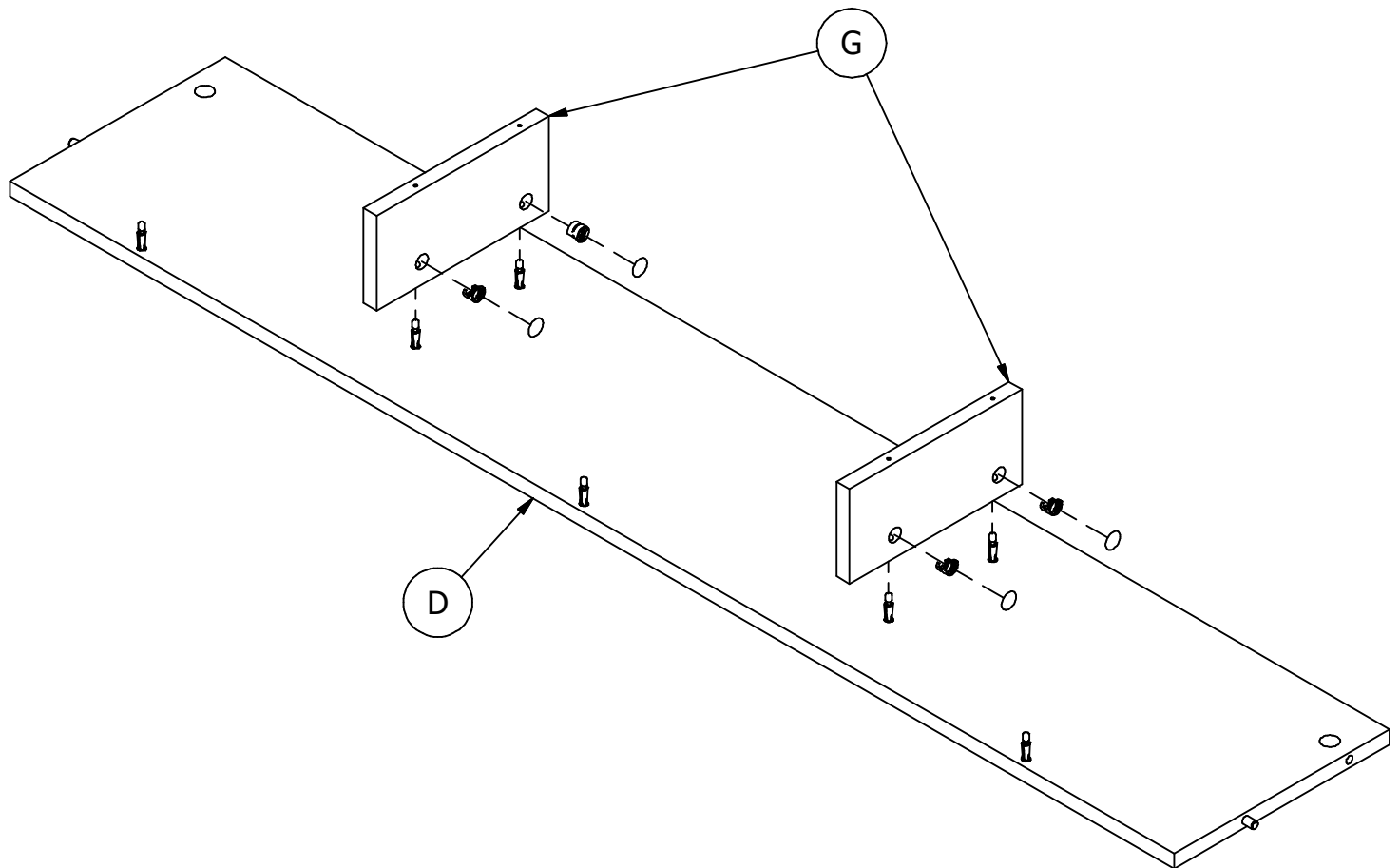
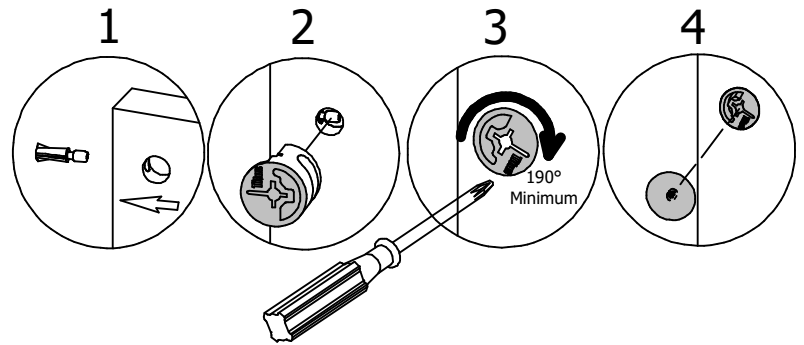
H181468US



[ 4 ]



[ 4 ]



Have an assembly question or need a replacement part? Just call **1-800-950-4782**, we are here to help.

# STEP 4

# Assemble Panels

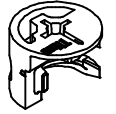
A213424

Scan QR Code to Watch Video on:



How to Tighten KD Cams

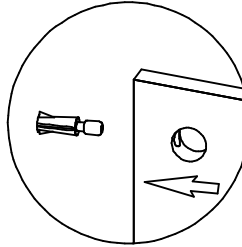
H181468US



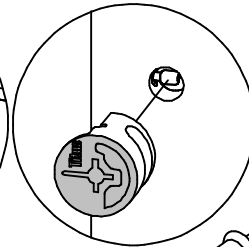
KD Cam3000

[ 3 ]

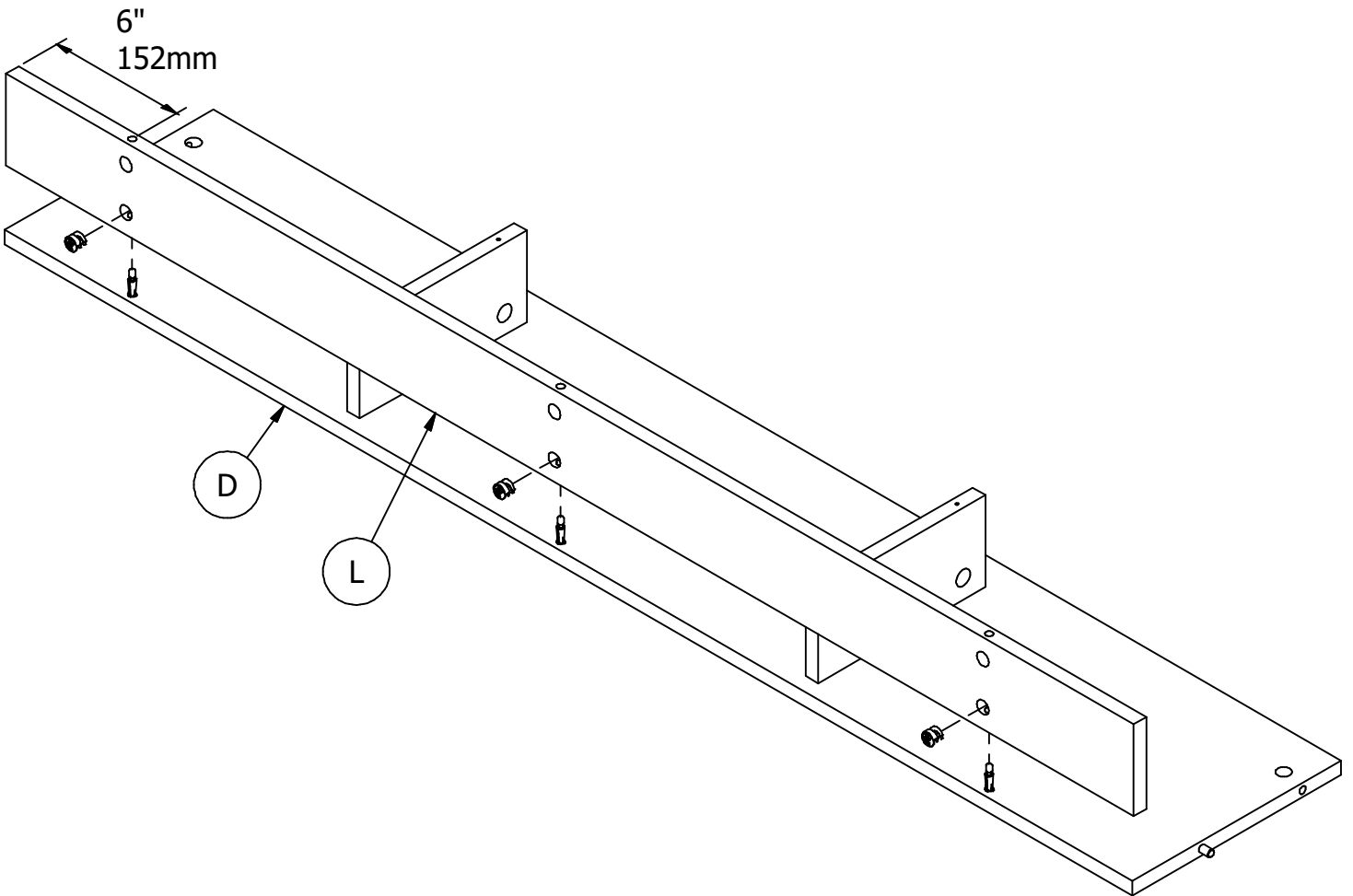
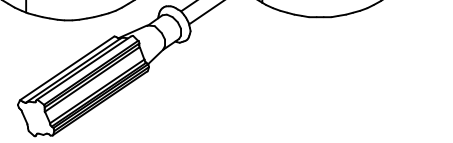
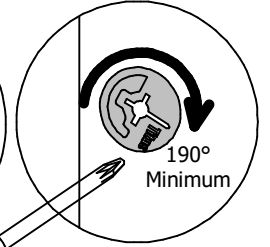
1



2



3



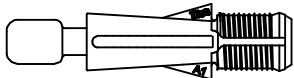
Have an assembly question or need a replacement part? Just call **1-800-950-4782**, we are here to help.

# STEP 5

# Prepare Panel

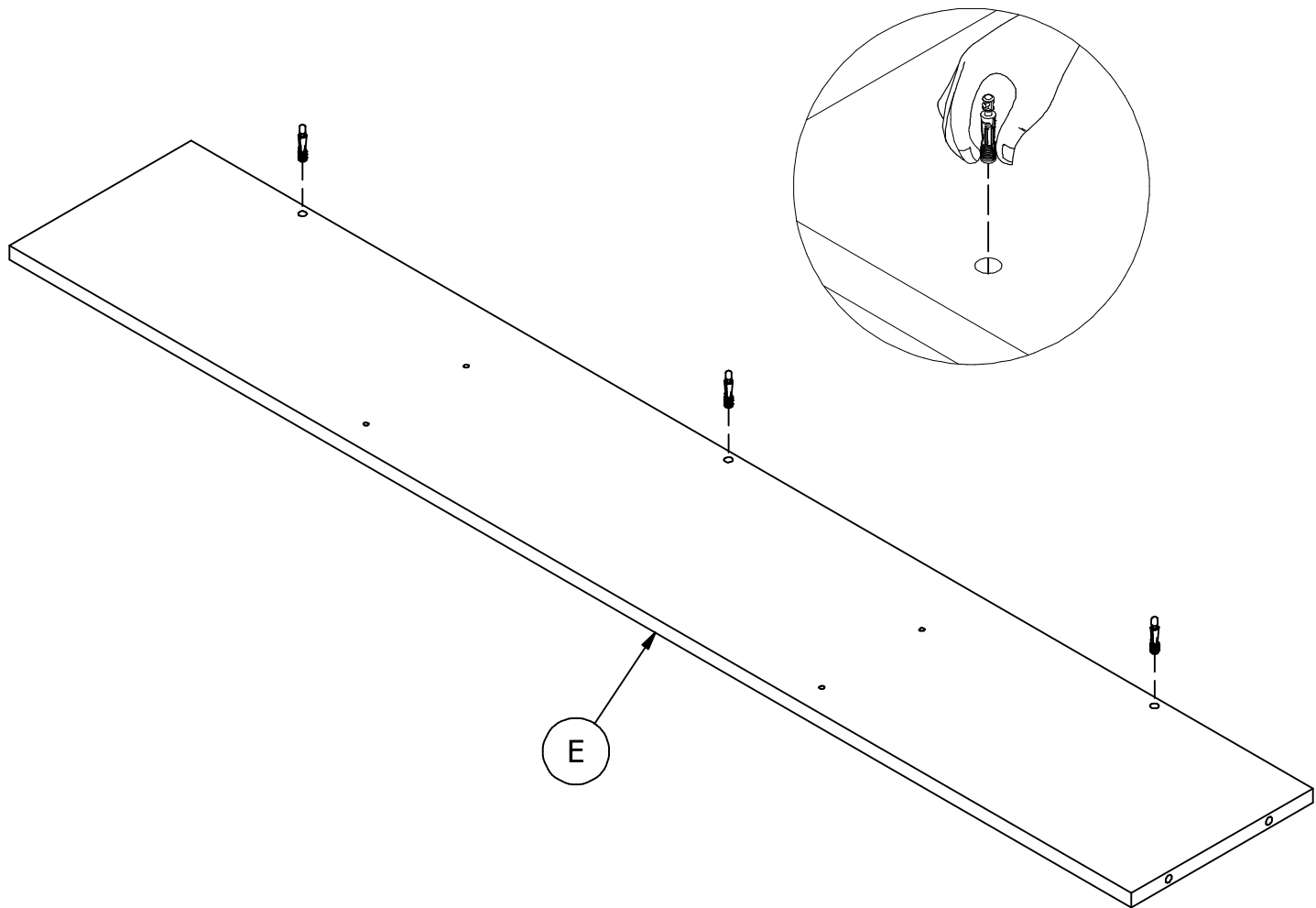
A213424

H171556



[ 3 ]

Quickfit TL4

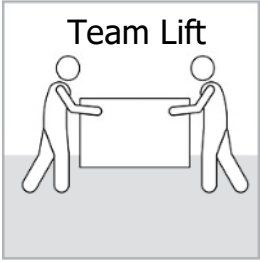


Have an assembly question or need a replacement part? Just call  
**1-800-950-4782**, we are here to help.

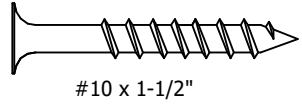
# STEP 6

# Assemble Panels

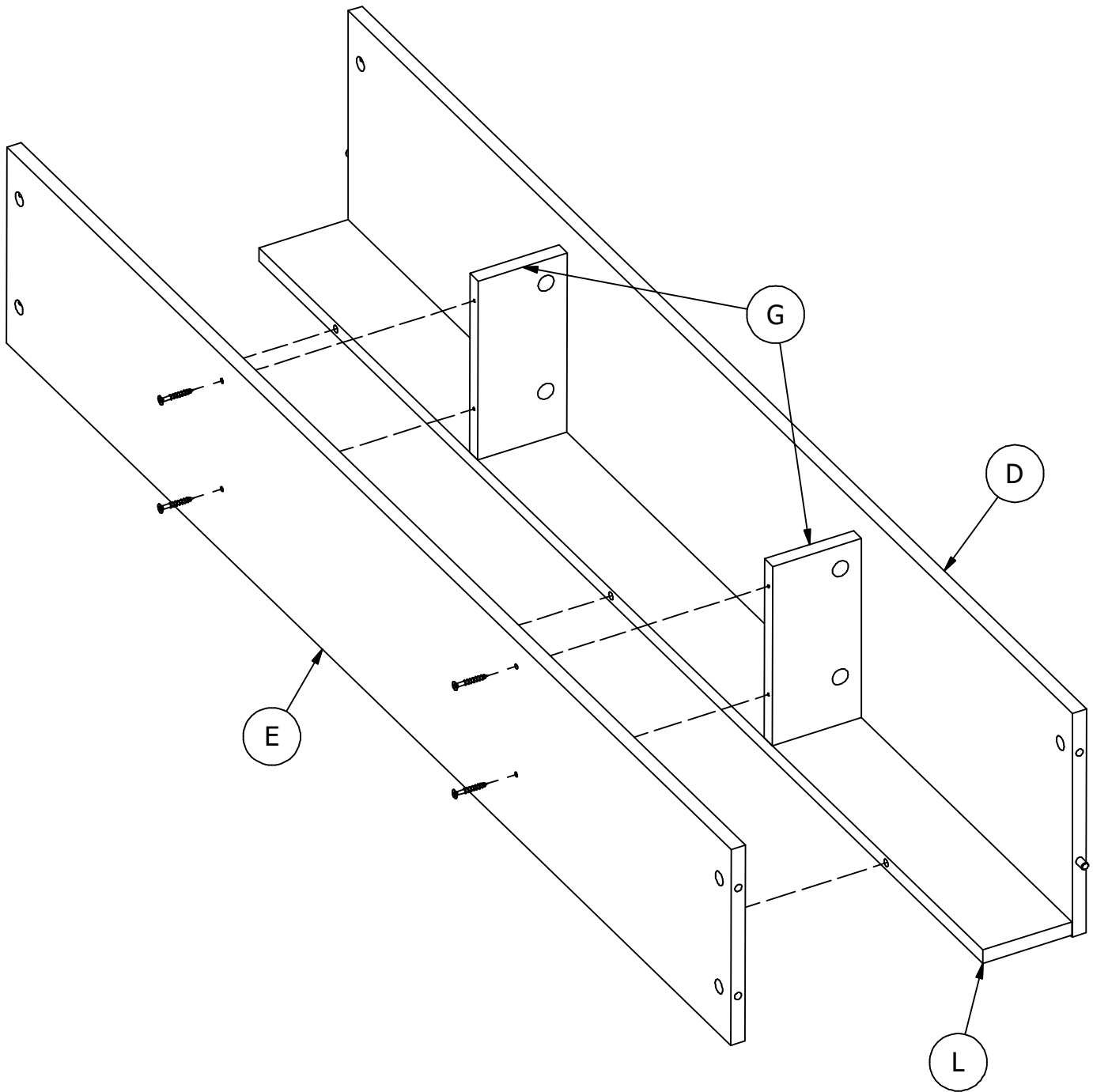
A213424



H23198  
(Black)



[ 4 ]



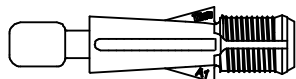
Have an assembly question or need a replacement part? Just call  
**1-800-950-4782**, we are here to help.

# STEP 7

## Prepare Panel

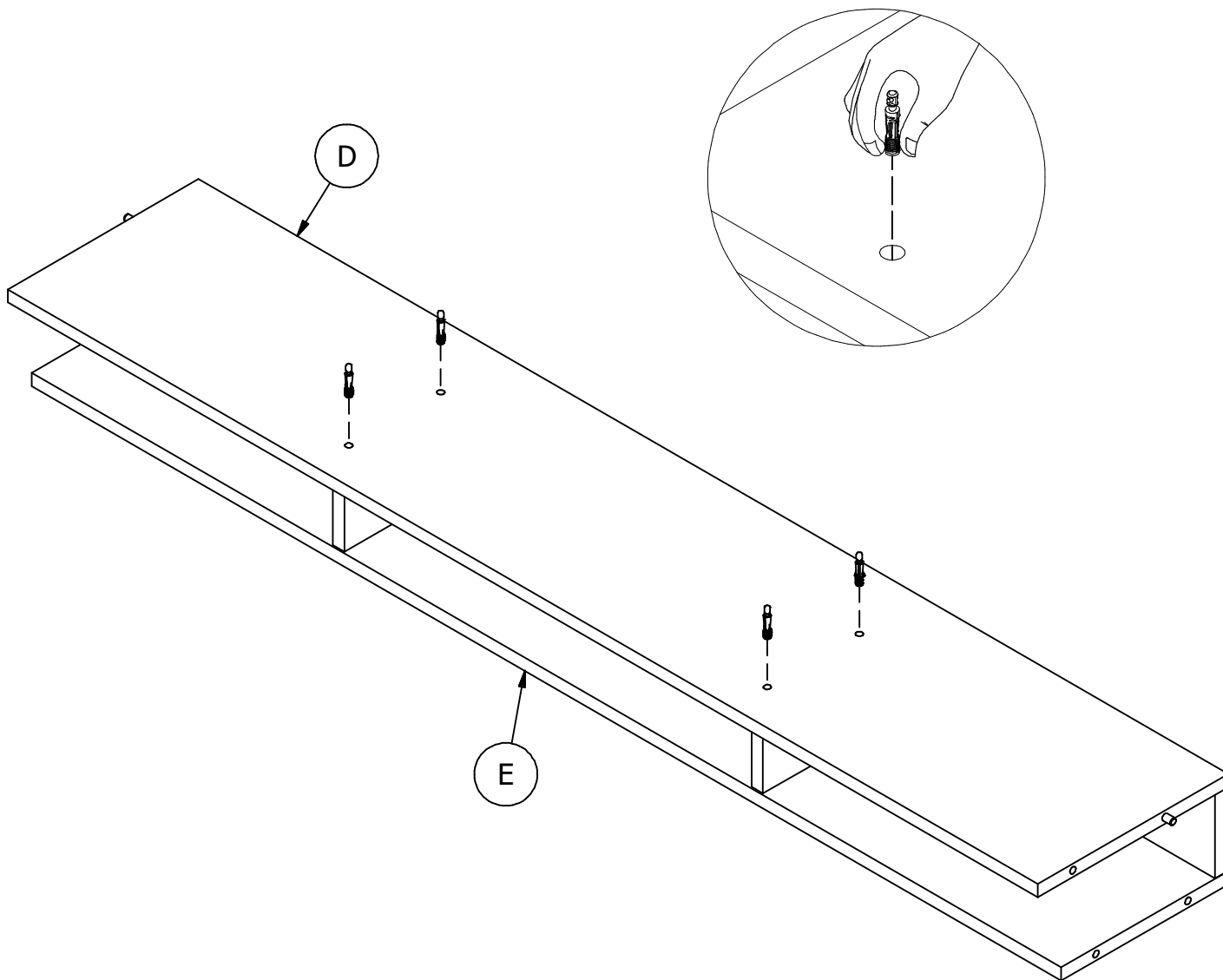
A213424

H171556



[ 4 ]

Quickfit TL4

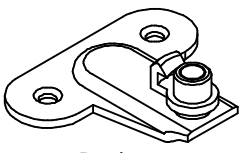
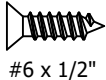


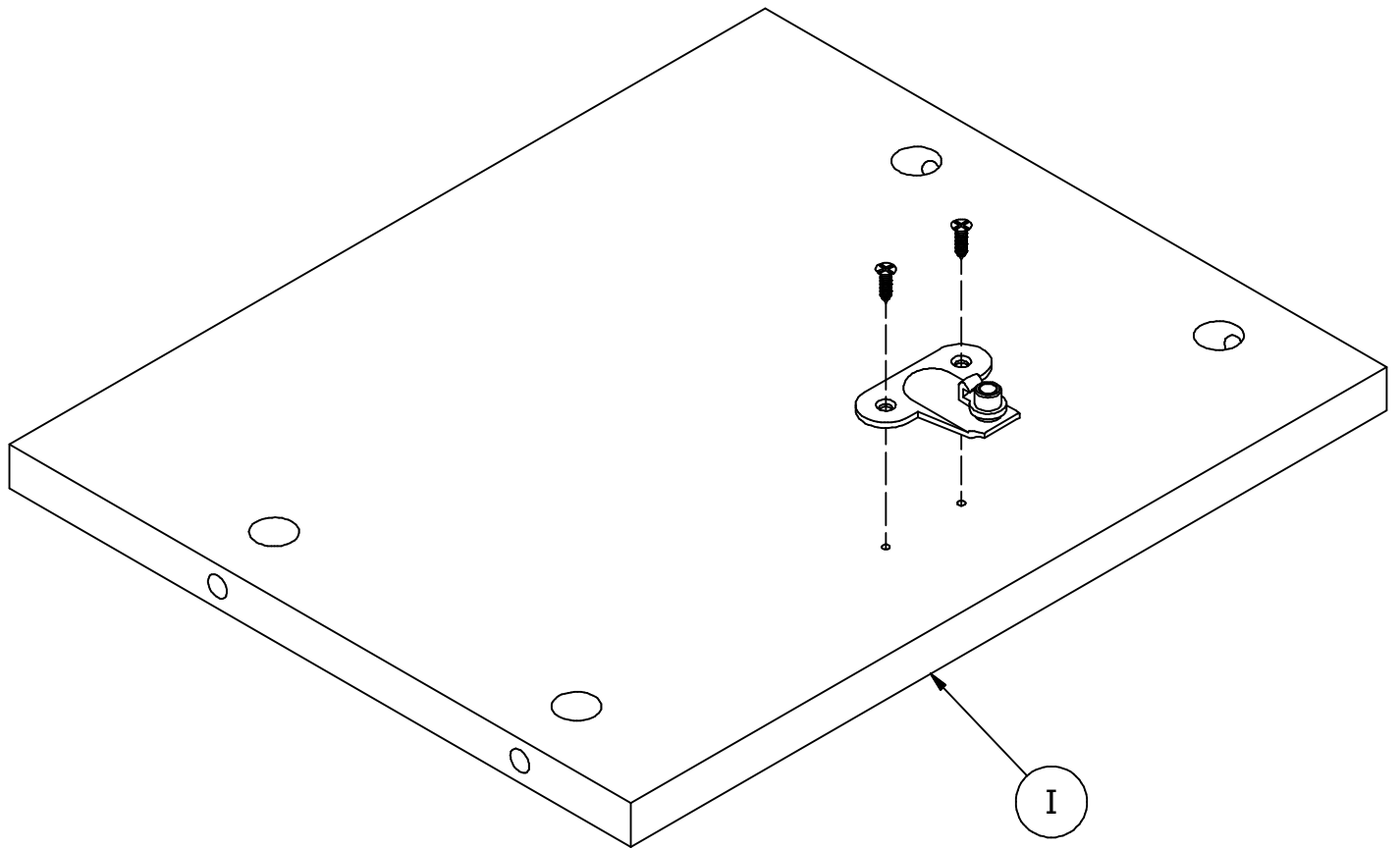
Have an assembly question or need a replacement part? Just call  
**1-800-950-4782**, we are here to help.

# STEP 8

# Prepare Panel

A213424

- H146050  [ 1 ]
- H28917 (Silver)  [ 2 ]  
#6 x 1/2"



Have an assembly question or need a replacement part? Just call  
**1-800-950-4782**, we are here to help.



# STEP 9

## Assemble Panels

A213424

Scan QR Code to Watch Video on:



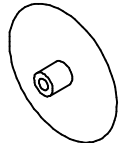
How to Tighten KD Cams

H181468US



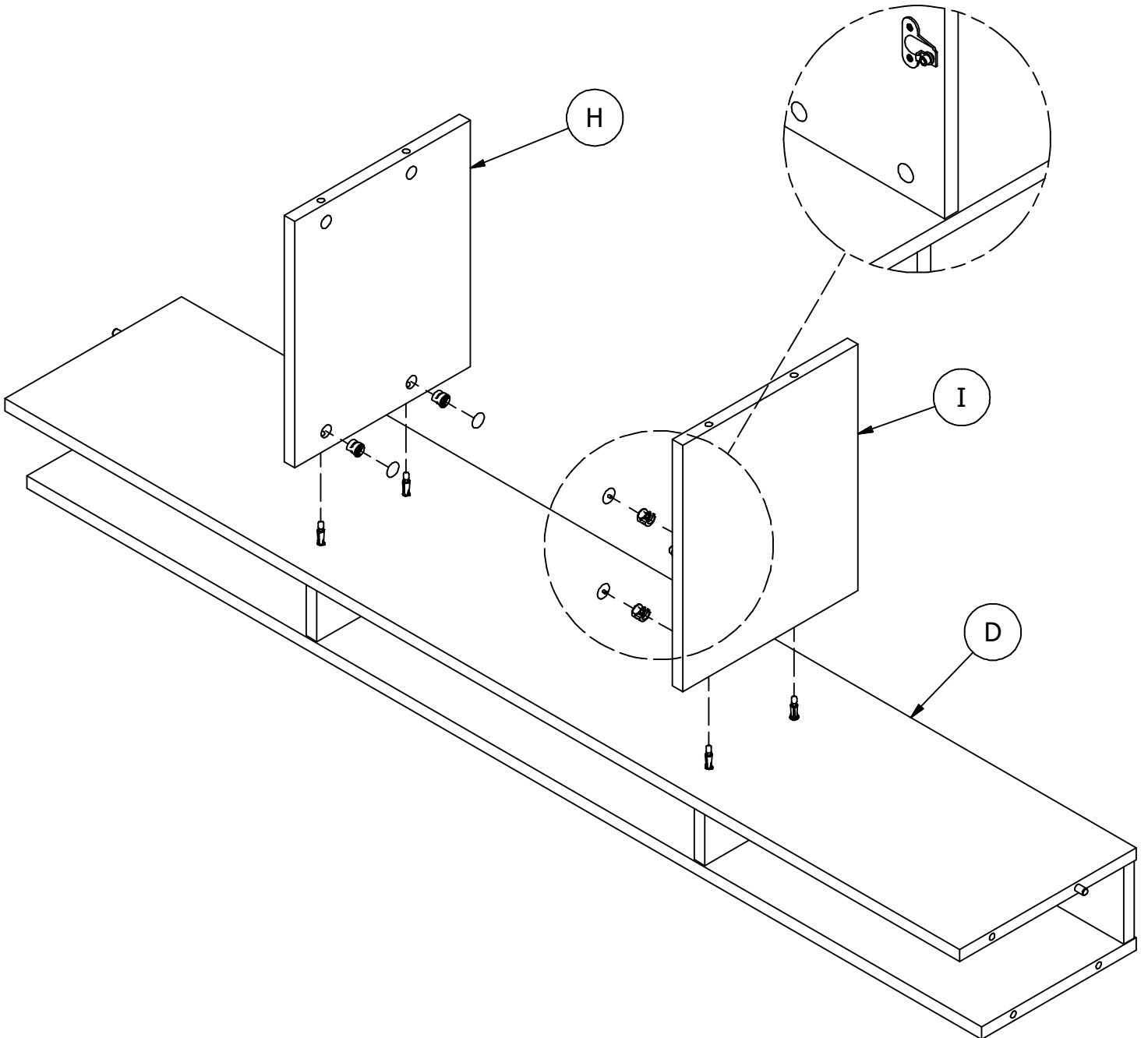
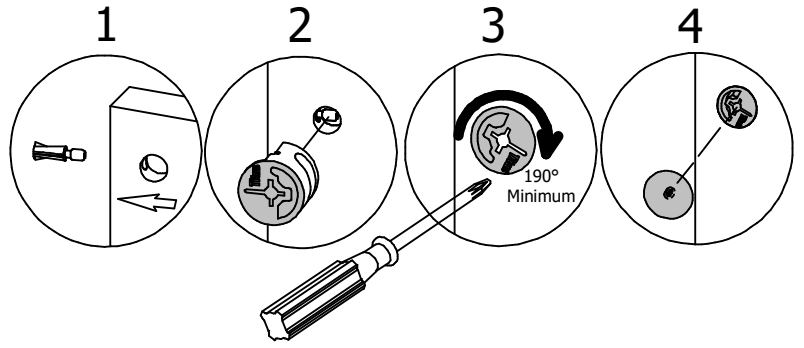
KD Cam3000

[ 4 ]



Cover Cap

[ 4 ]



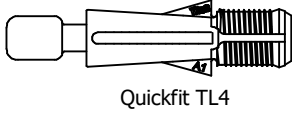
Have an assembly question or need a replacement part? Just call **1-800-950-4782**, we are here to help.

# STEP 10

# Prepare Panels

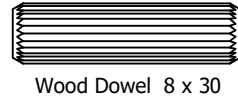
A213424

H171556



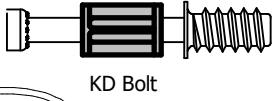
[ 6 ]

H38169

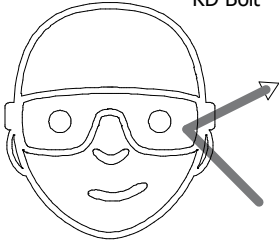


[ 2 ]

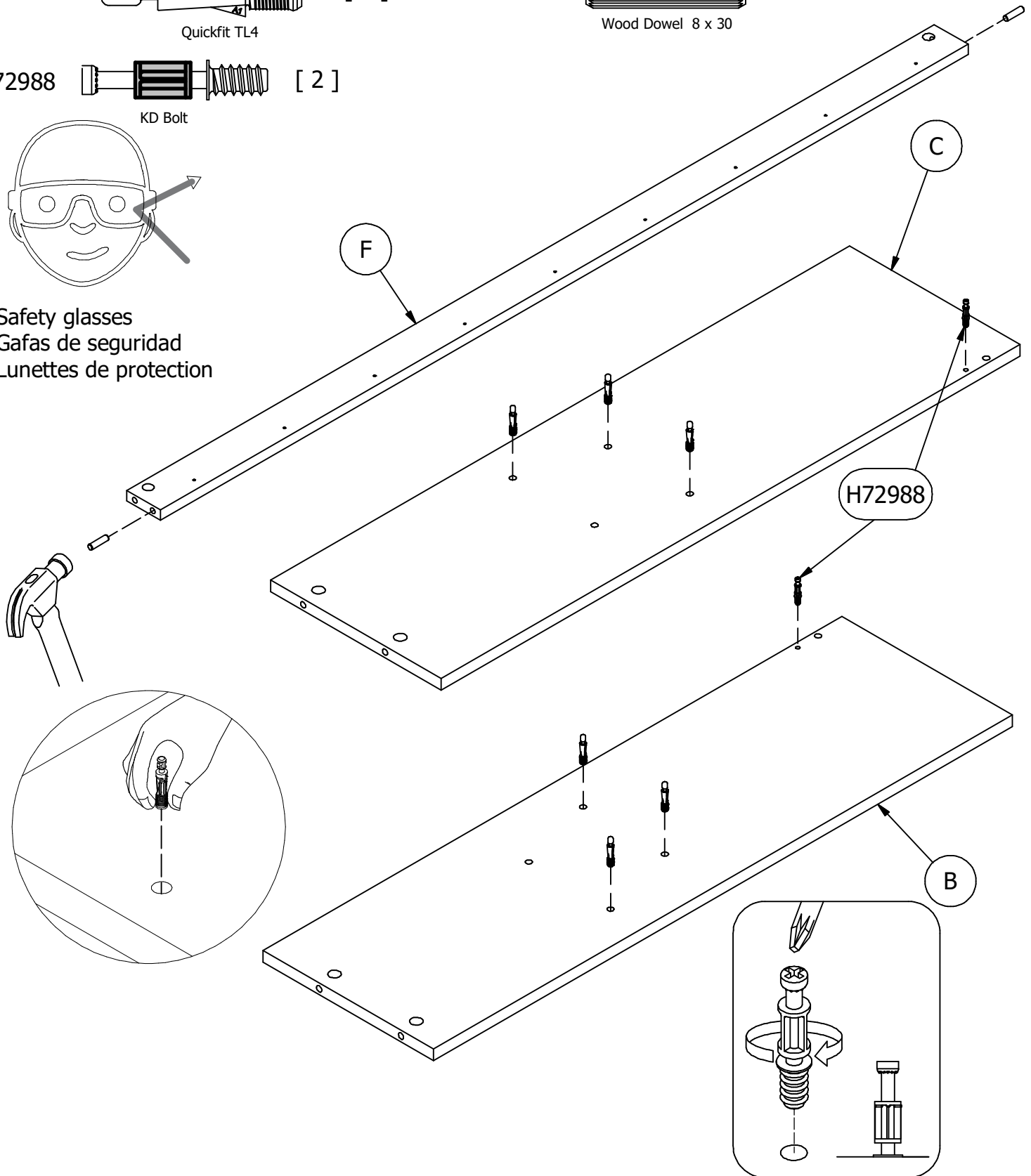
H72988



[ 2 ]



Safety glasses  
Gafas de seguridad  
Lunettes de protection



Have an assembly question or need a replacement part? Just call  
**1-800-950-4782**, we are here to help.

# STEP 11

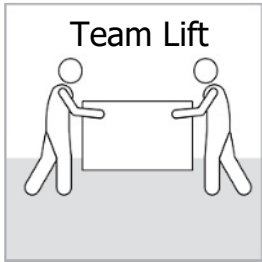
# Assemble Panels

A213424

Scan QR Code to Watch Video on:



How to Tighten KD Cams

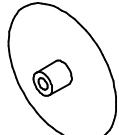
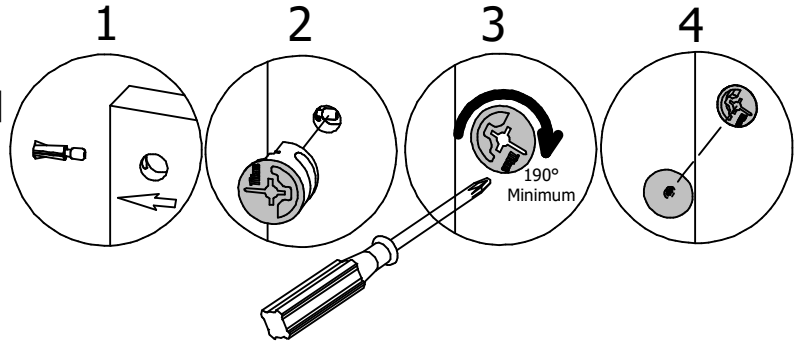


H181468US



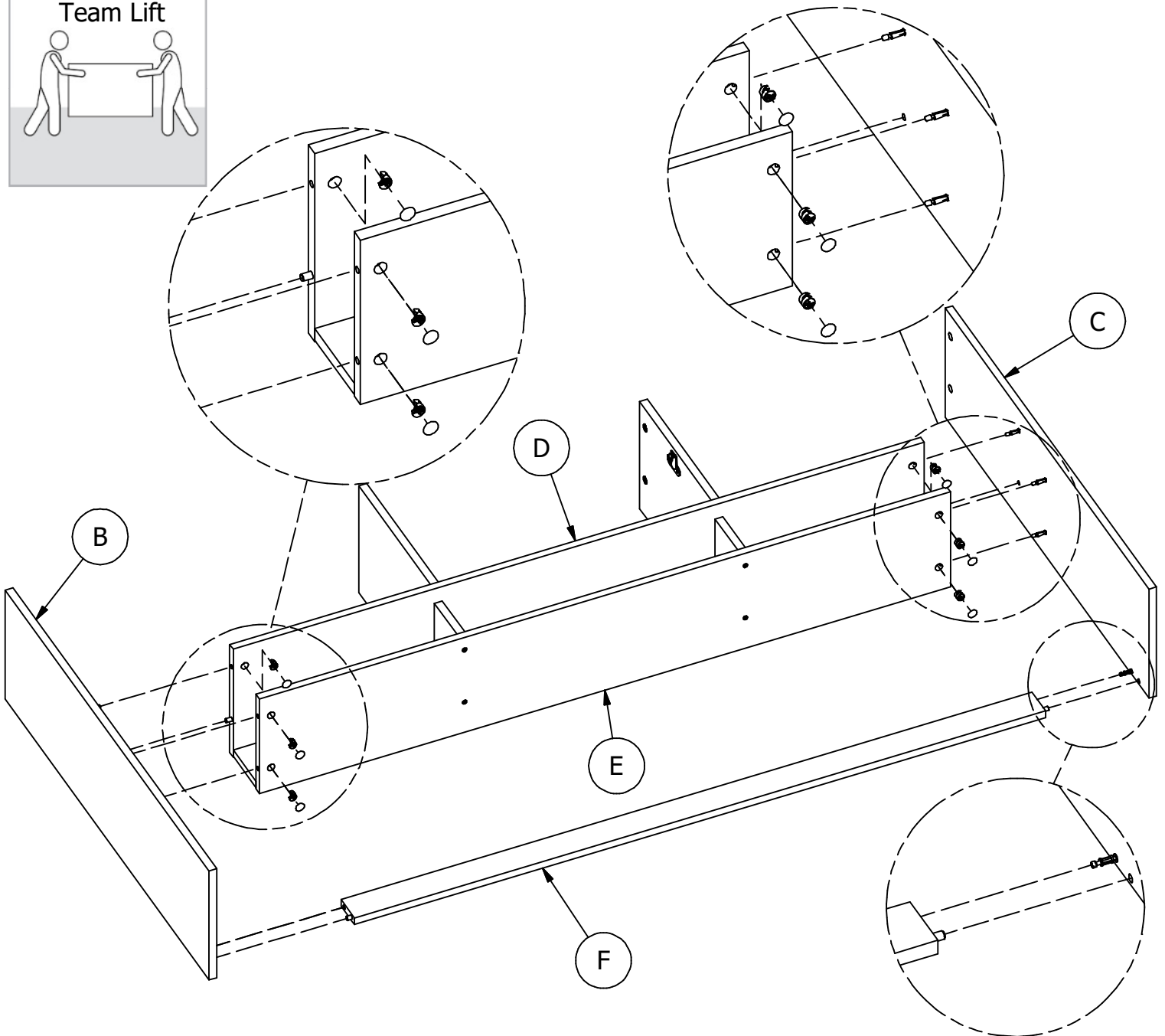
KD Cam3000

[ 6 ]



Cover Cap

[ 6 ]



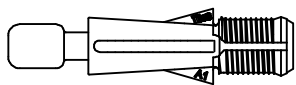
Have an assembly question or need a replacement part? Just call **1-800-950-4782**, we are here to help.

# STEP 12

## Prepare Panel

A213424

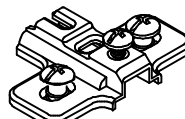
H171556



Quickfit TL4

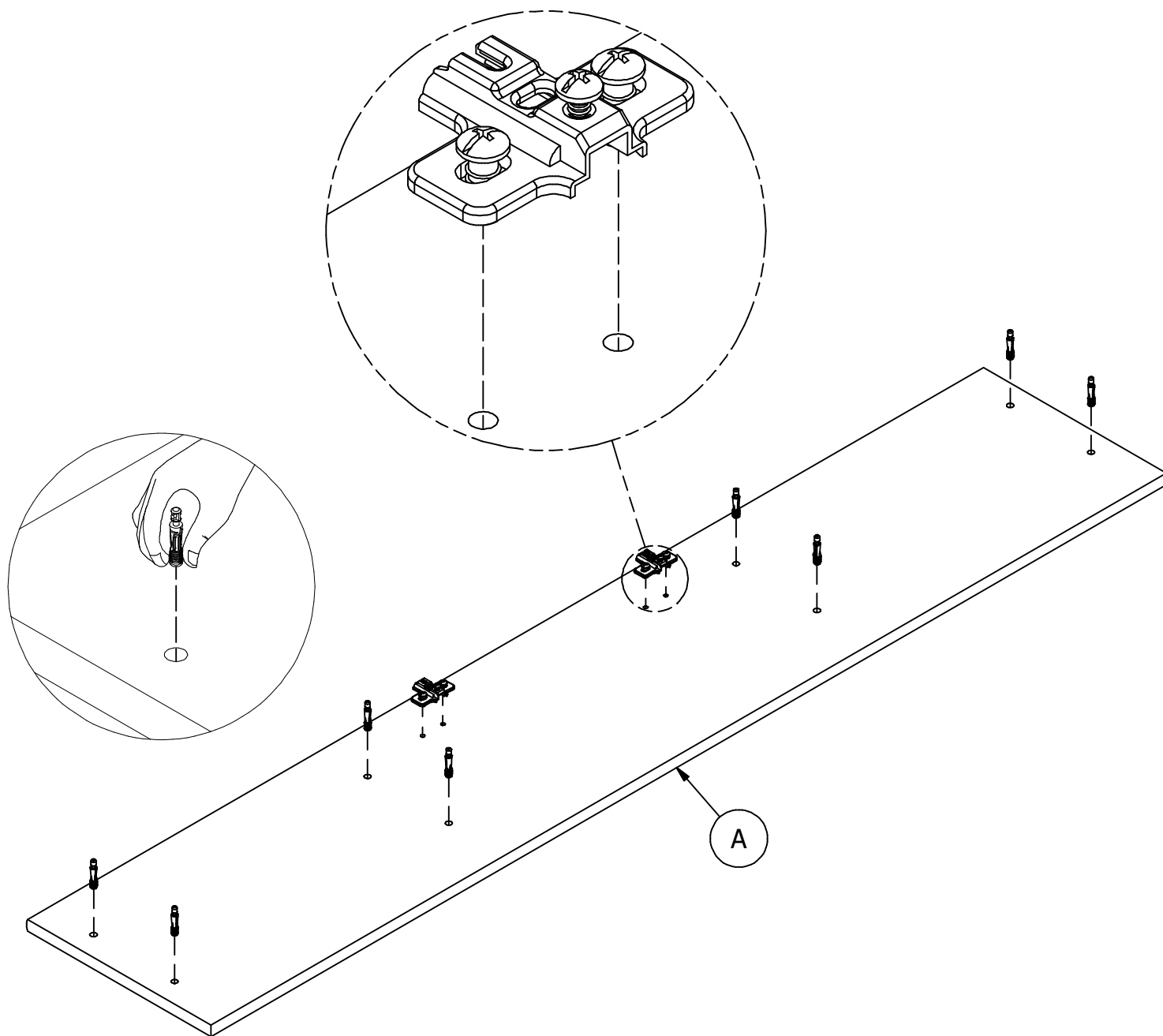
[ 8 ]

H126758



Mounting Plate

[ 2 ]



Have an assembly question or need a replacement part? Just call  
**1-800-950-4782**, we are here to help.

# STEP 13

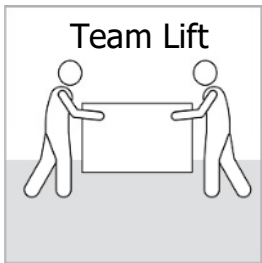
# Assemble Panels

A213424

Scan QR Code to Watch Video on:



How to Tighten KD Cams

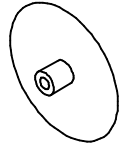


H181468US



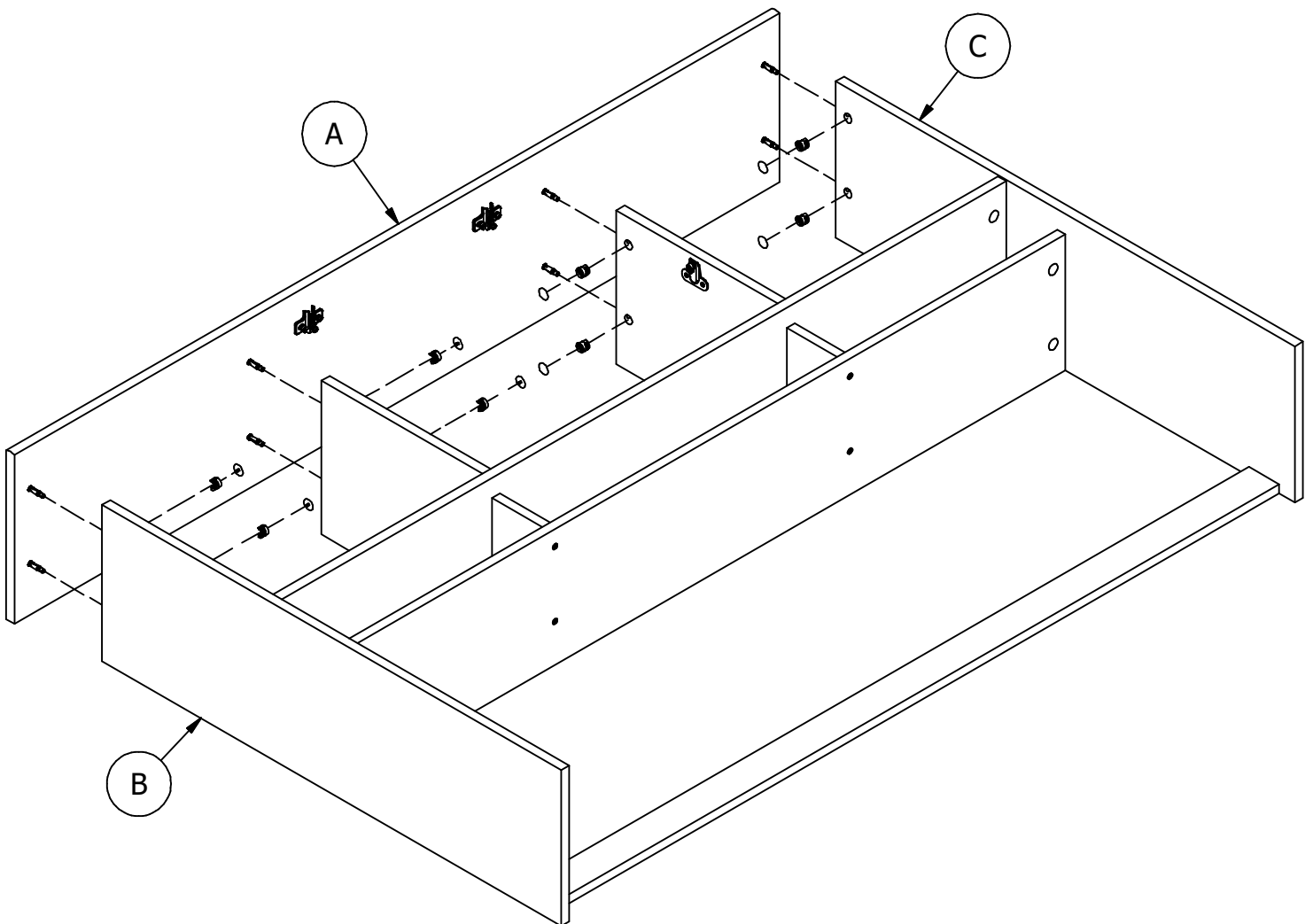
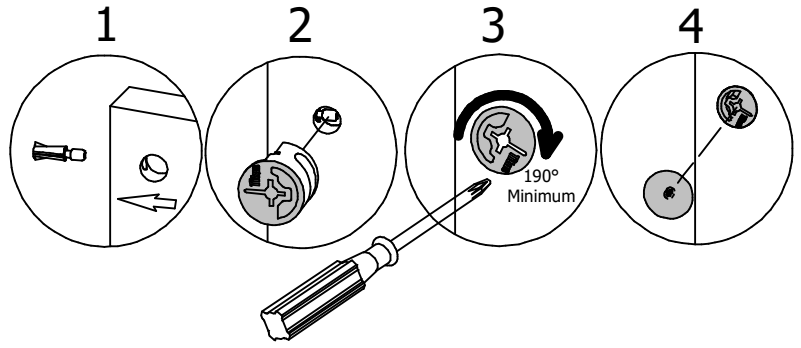
KD Cam3000

[ 8 ]



Cover Cap

[ 8 ]



Have an assembly question or need a replacement part? Just call **1-800-950-4782**, we are here to help.

# STEP 14

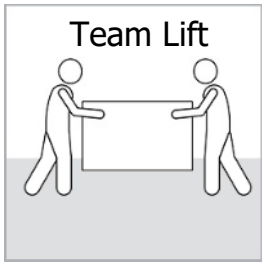
# Install fasteners

A213424

Scan QR Code to Watch Video on:



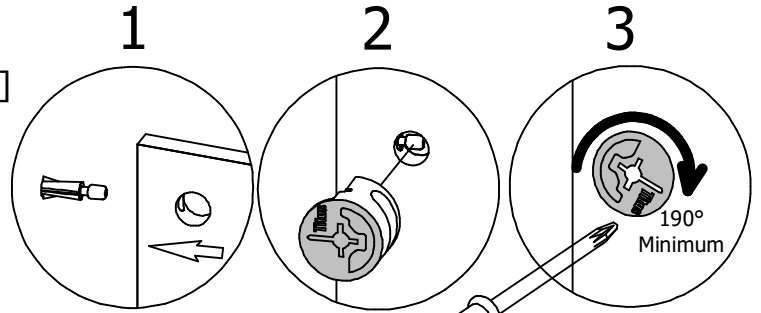
How to Tighten KD Cams



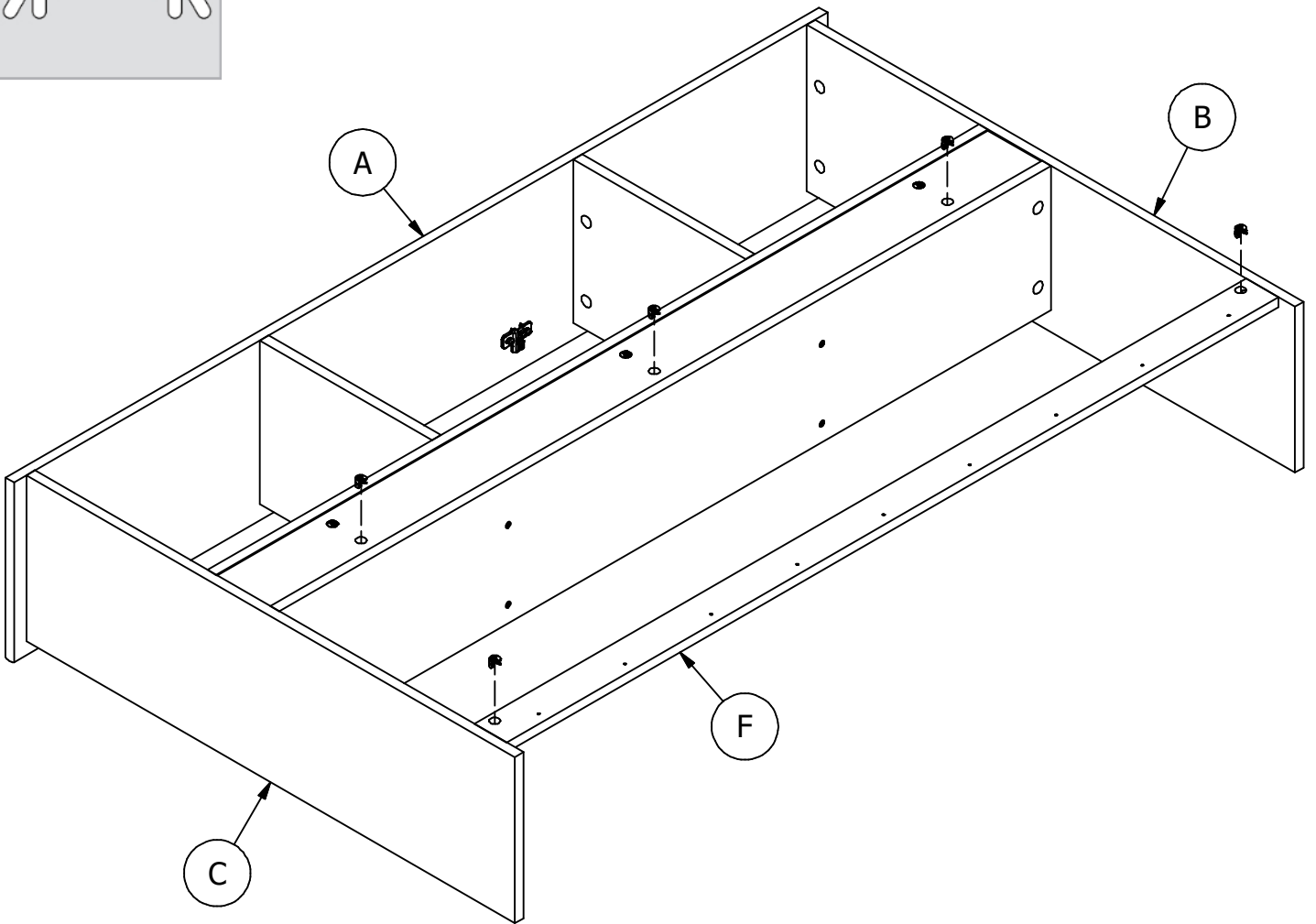
H181468US



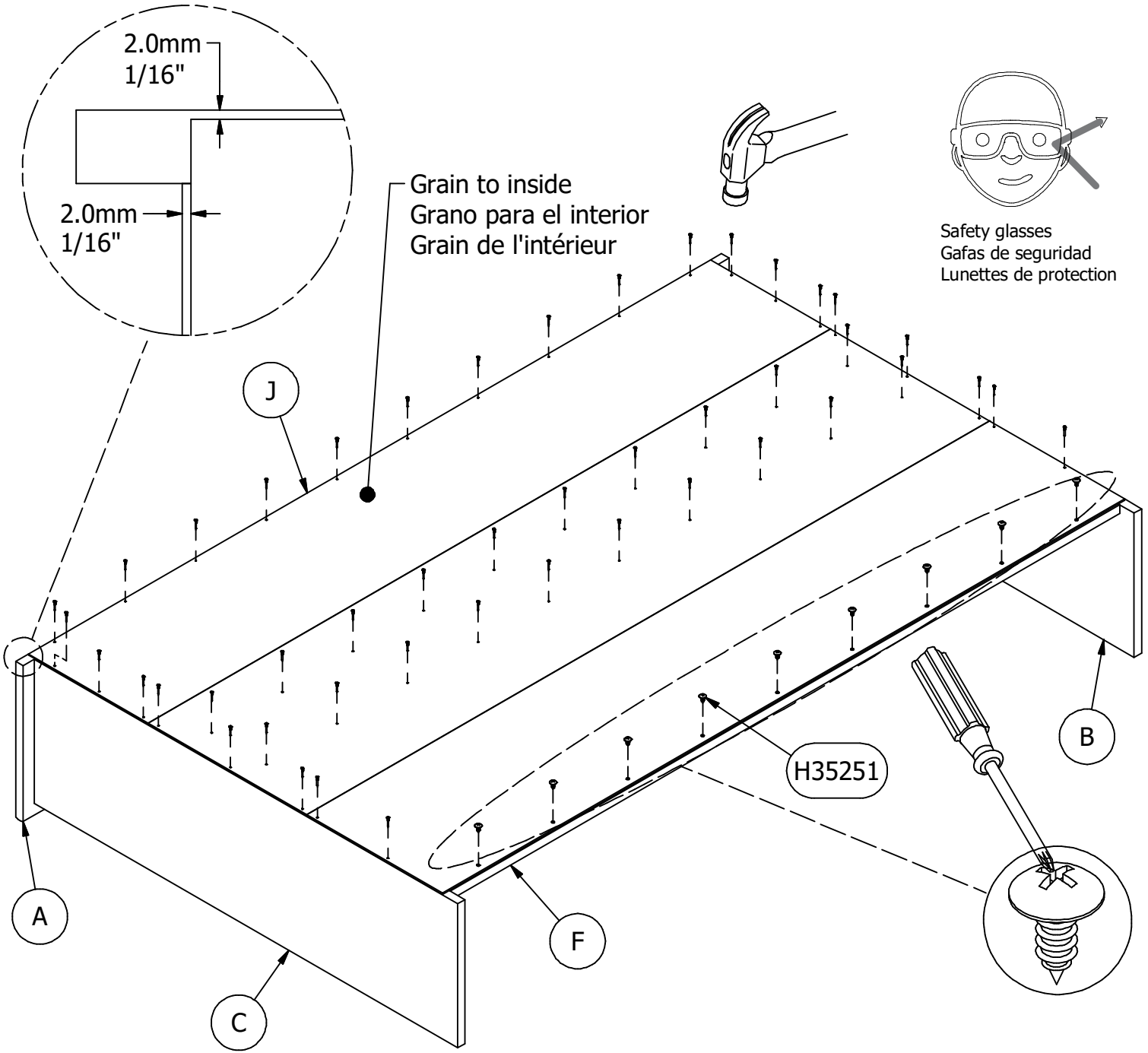
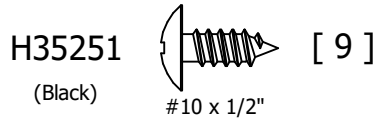
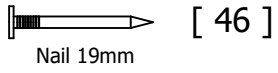
[ 5 ]



With assistant, carefully flip unit over.  
Con el asistente, voltee cuidadosamente la unidad.  
Avec l'assistant, retourner soigneusement l'unité.



Have an assembly question or need a replacement part? Just call **1-800-950-4782**, we are here to help.



Have an assembly question or need a replacement part? Just call **1-800-950-4782**, we are here to help.

# STEP 16

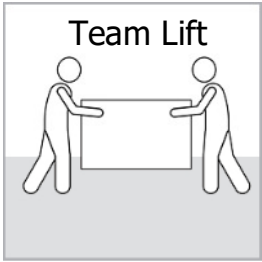
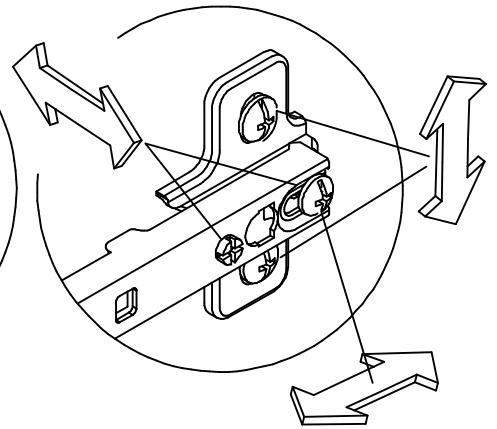
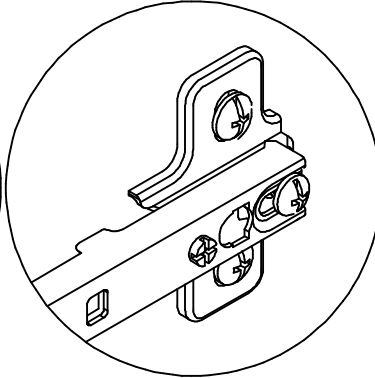
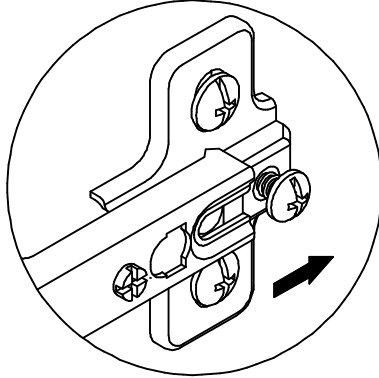
# Install Door

A213424

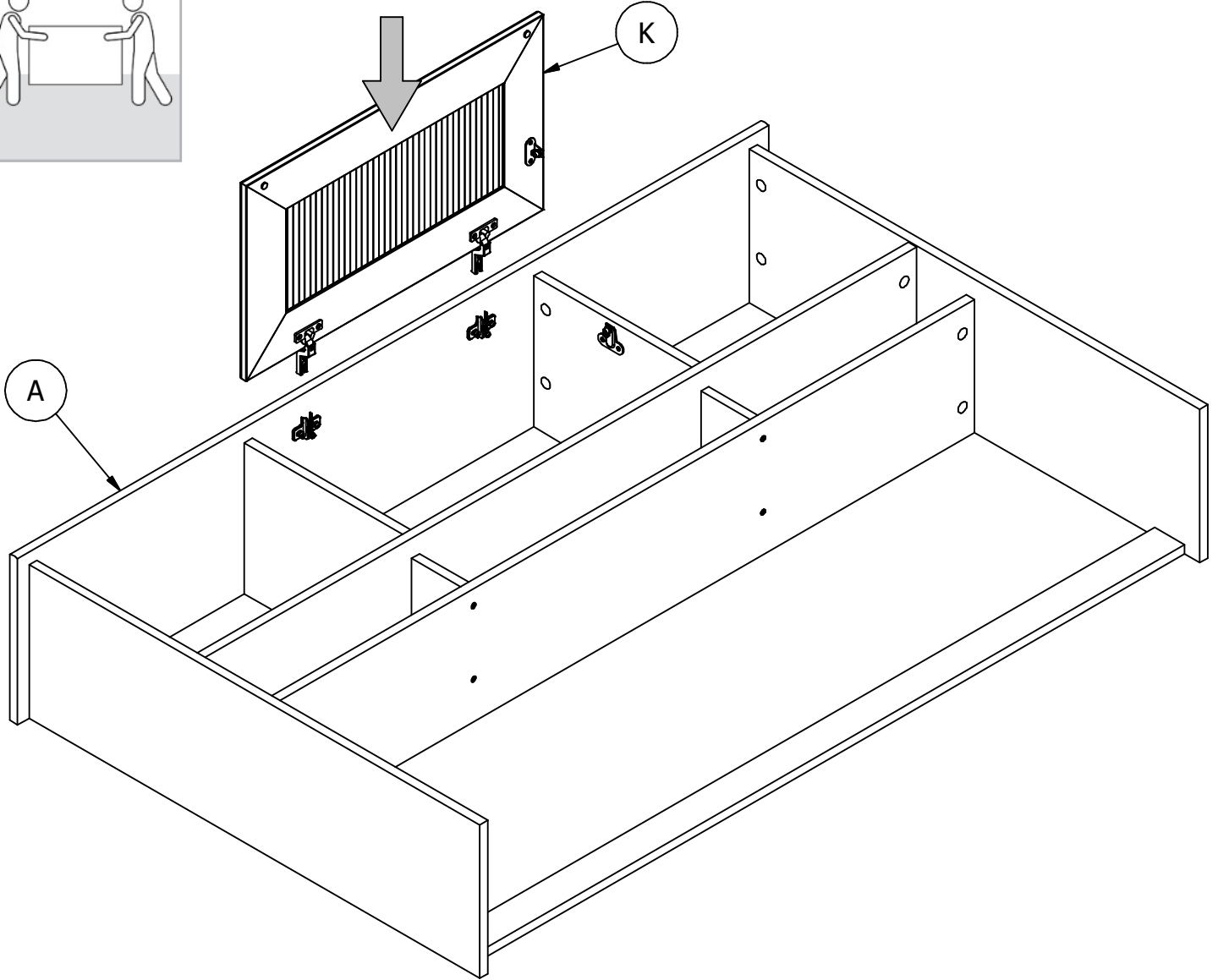
Scan QR Code to Watch Video on:



How to Adjust Door Hinges

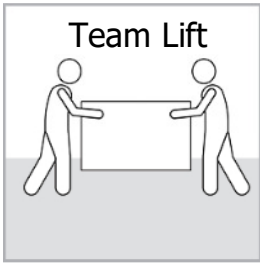


Team Lift

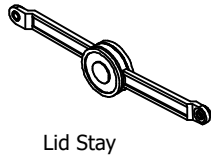


Have an assembly question or need a replacement part? Just call **1-800-950-4782**, we are here to help.



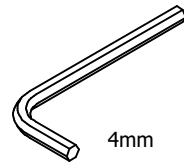


H146048



[ 1 ]

H26328

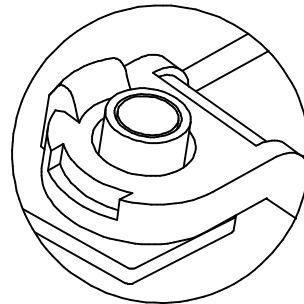
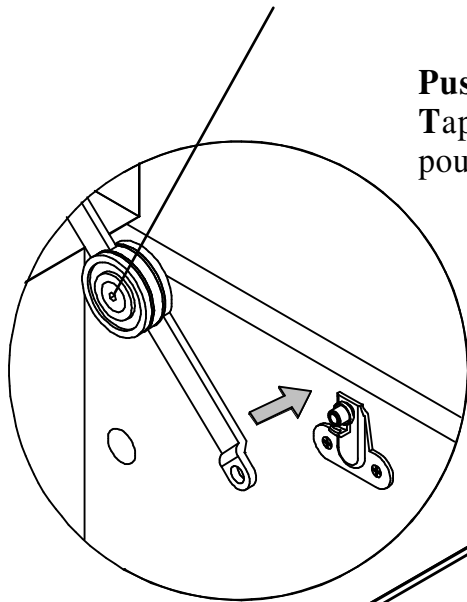


[ 1 ]

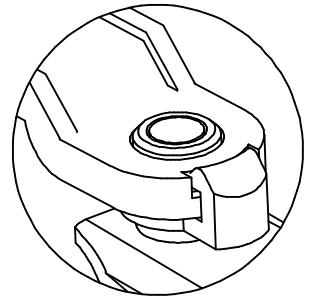
**Adjust lid stay so door stays open.** 4mm Allen wrench  
Ajuste la tapa para que la puerta se abra. Llave Allen de 4 mm  
Ajuster le couvercle pour que la porte reste ouverte. Clé Allen 4 mm

Assemble parts as shown.  
Ensamble las piezas como se muestra.  
Assembler les pièces comme indiqué.

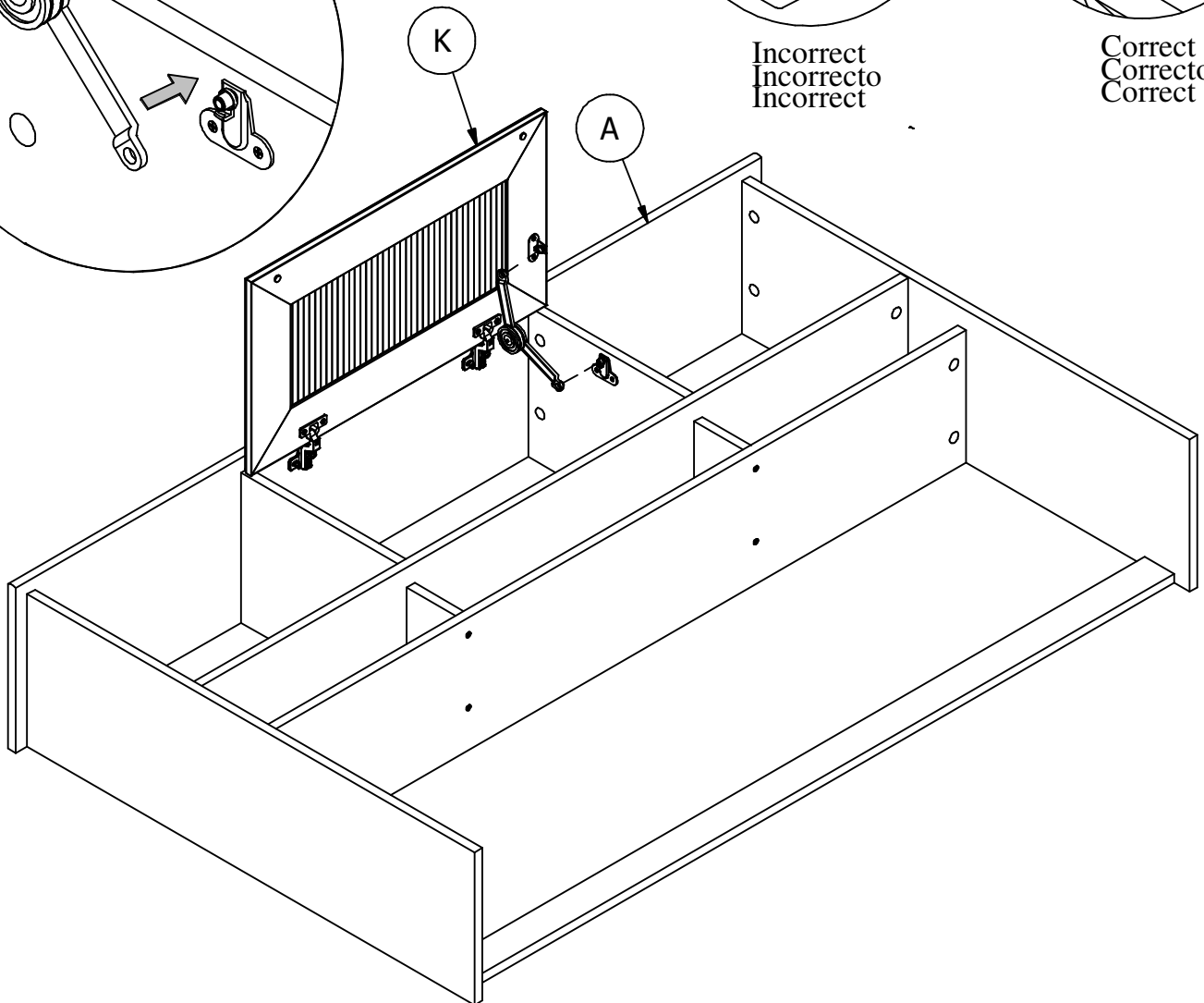
**Push lid stay**  
Tapa de empuje  
pousser le couvercle



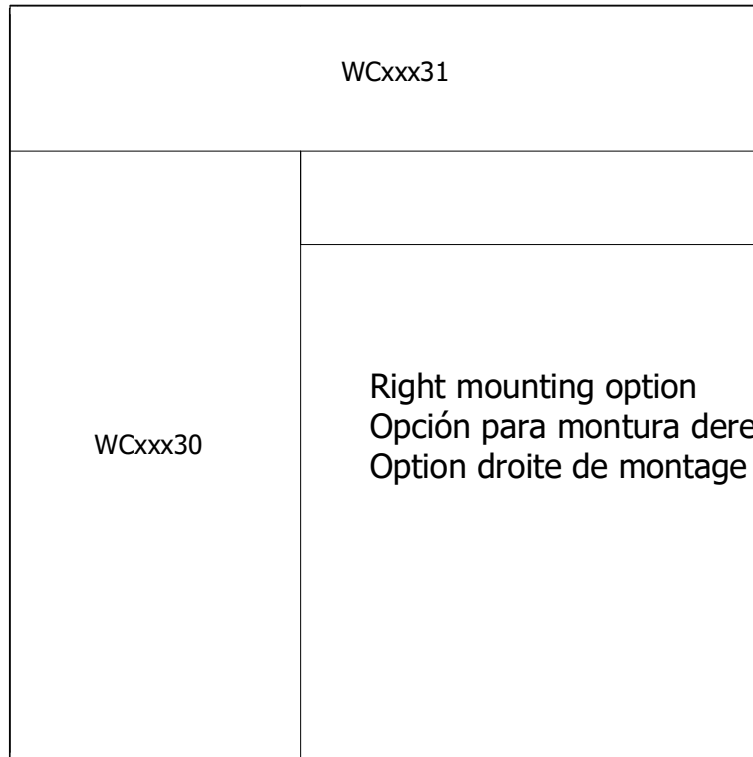
Incorrect  
Incorrecto  
Incorrect



Correct  
Correcto  
Correct

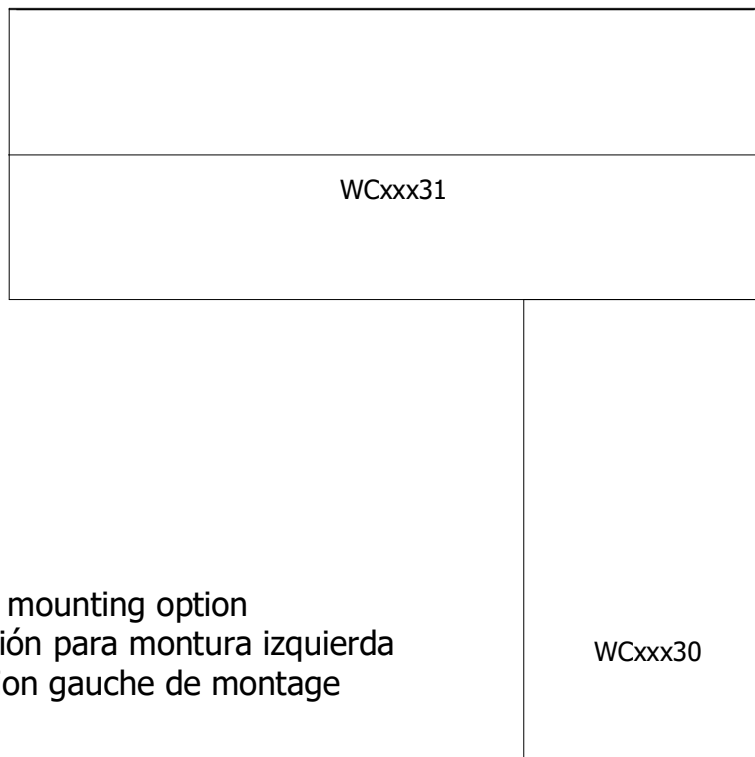


Have an assembly question or need a replacement part? Just call  
**1-800-950-4782**, we are here to help.



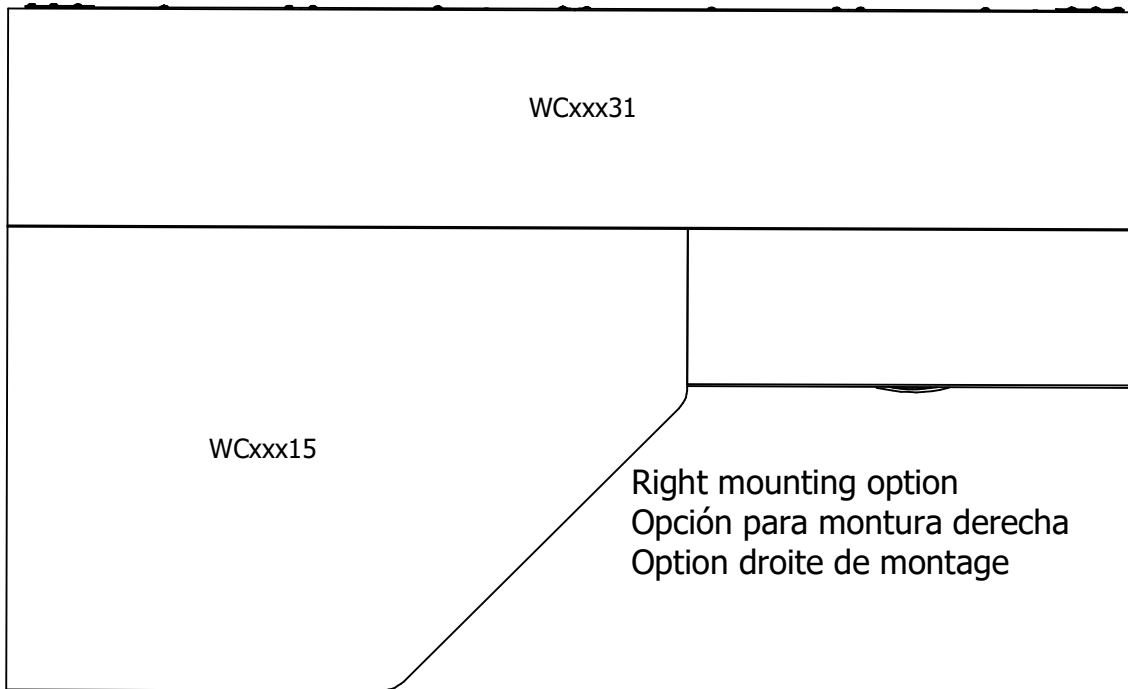
Go to Step 20.  
Proceda al paso 20.  
Allez à l'étape 20.

Right mounting option  
Opción para montura derecha  
Option droite de montage

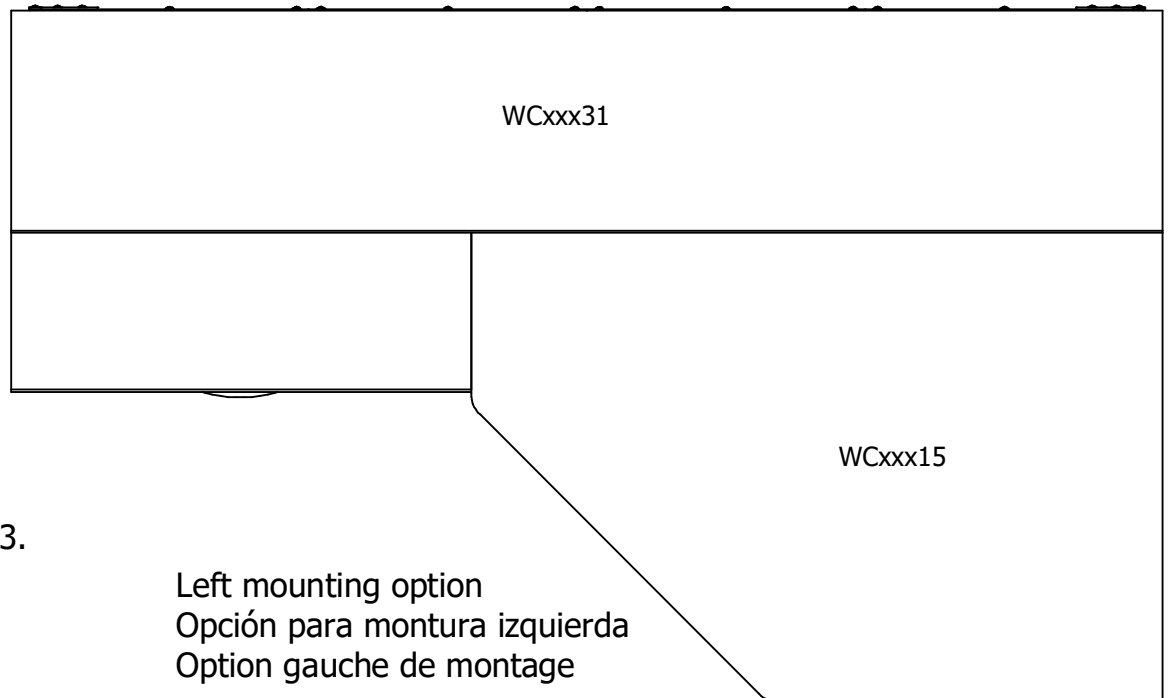


Go to Step 21.  
Proceda al paso 21.  
Allez à l'étape 21.

Left mounting option  
Opción para montura izquierda  
Option gauche de montage



Go to Step 22.  
Proceda al paso 22.  
Allez à l'étape 22.

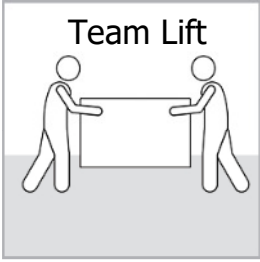


Go to Step 23.  
Proceda al paso 23.  
Allez à l'étape 23.

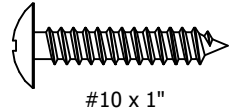
# STEP 20

# Attach Hutch

A213424

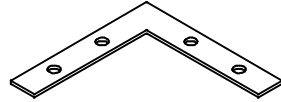


H23682



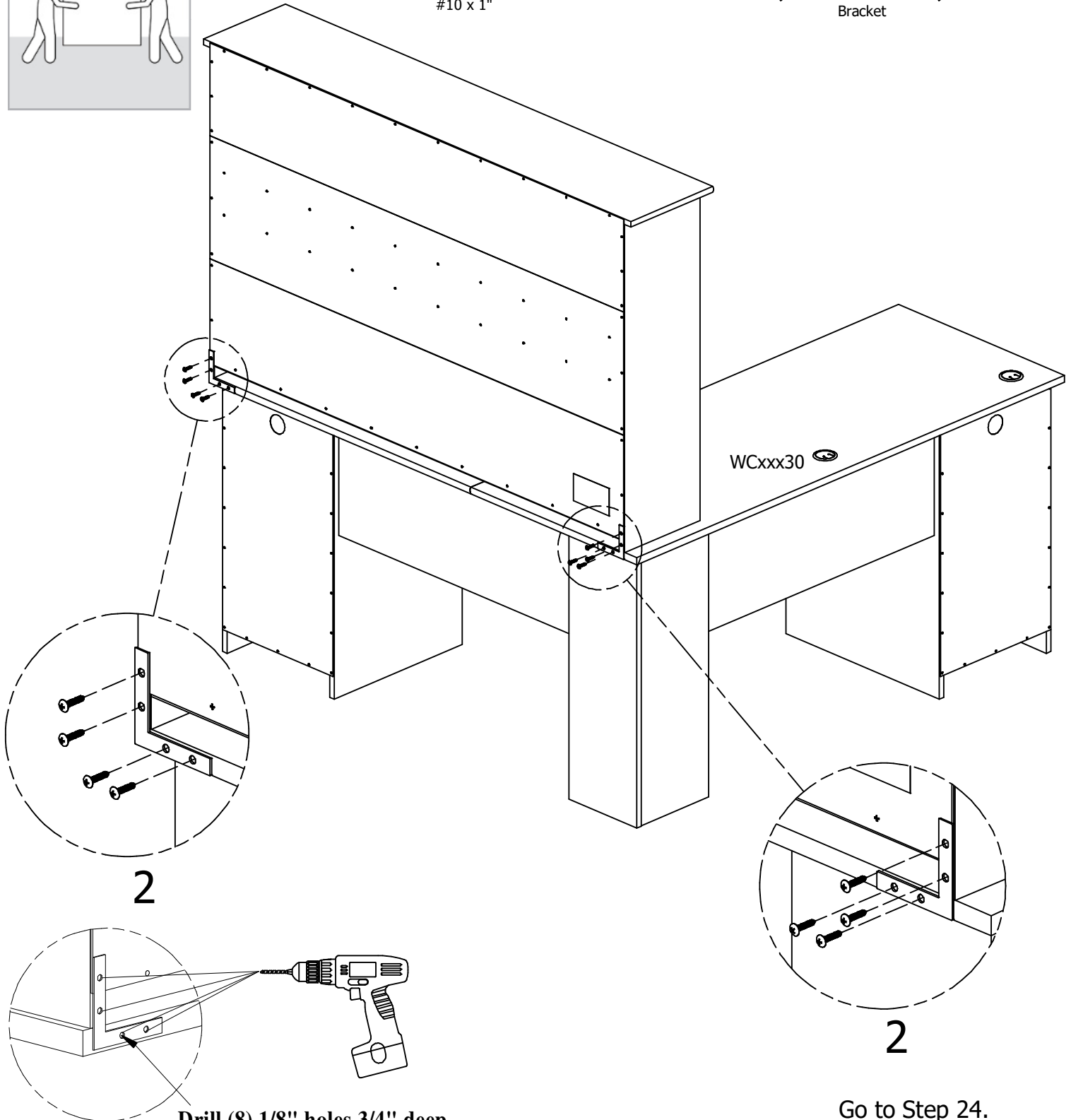
[ 8 ]

H85966



[ 2 ]

Bracket



2

2

1

**Drill (8) 1/8" holes 3/4" deep.**  
Perfore (8) agujeros de 3mm a 19mm de profundido.  
Percer (8) trous de 3mm de diamètre et 19mm de profondeur.

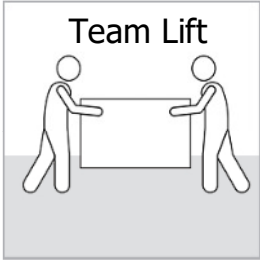
Go to Step 24.  
Proceda al paso 24.  
Allez à l'étape 24.

Have an assembly question or need a replacement part? Just call  
**1-800-950-4782**, we are here to help.

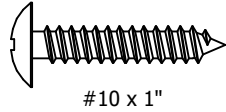
# STEP 21

# Attach Hutch

A213424

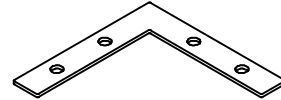


H23682



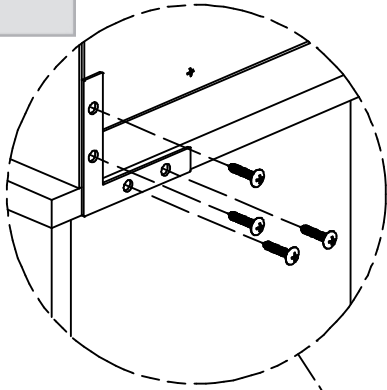
[ 8 ]

H85966

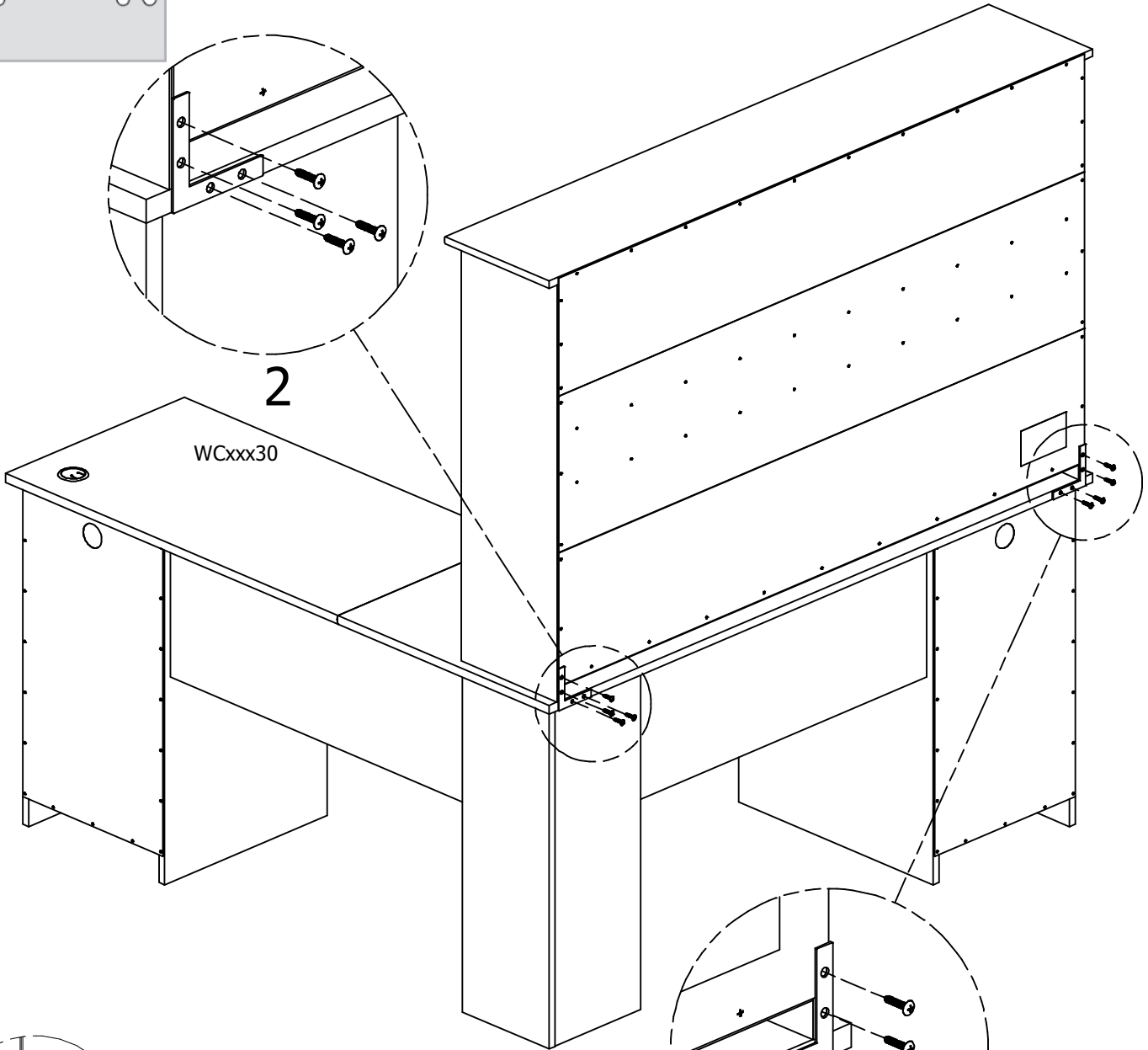


[ 2 ]

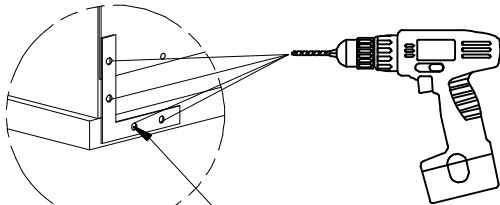
Bracket



2

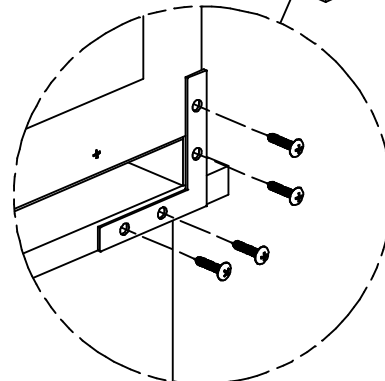


WCxxx30



1

**Drill (8) 1/8" holes 3/4" deep.**  
Perfore (8) agujeros de 3mm a 19mm de profundido.  
Perçer (8) trous de 3mm de diamètre et 19mm de profondeur.



2

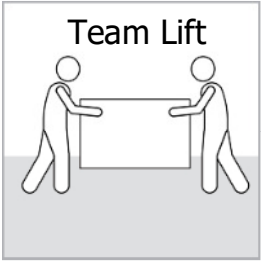
Go to Step 24.  
Proceda al paso 24.  
Allez à l'étape 24.

Have an assembly question or need a replacement part? Just call  
**1-800-950-4782**, we are here to help.

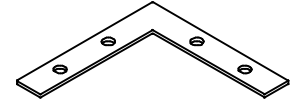
# STEP 22

# Attach Hutch

A213424



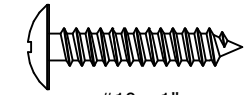
H85966



[ 2 ]

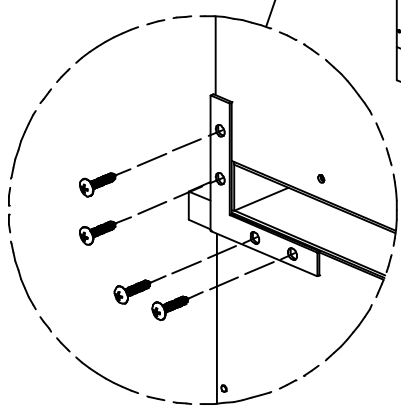
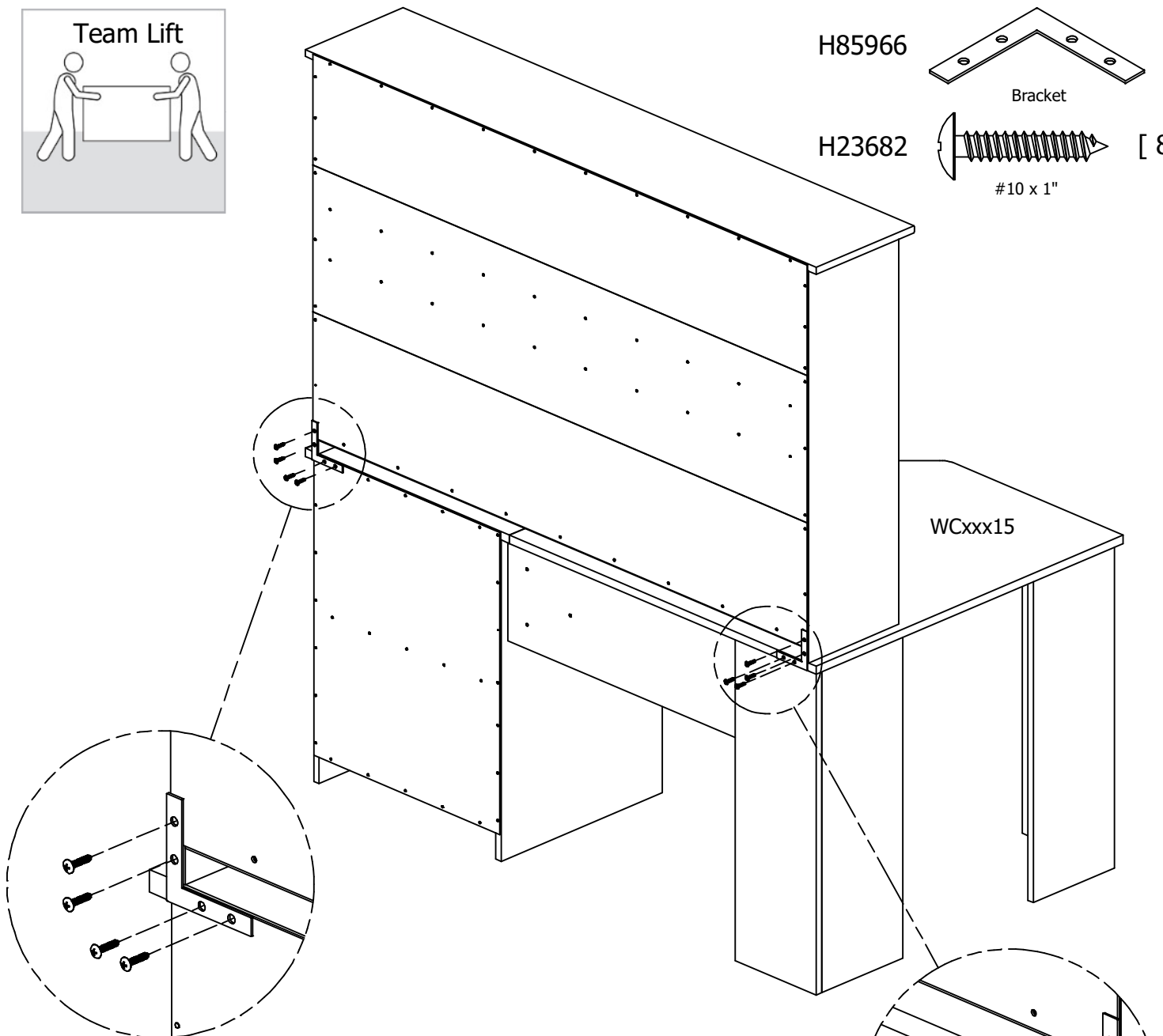
Bracket

H23682

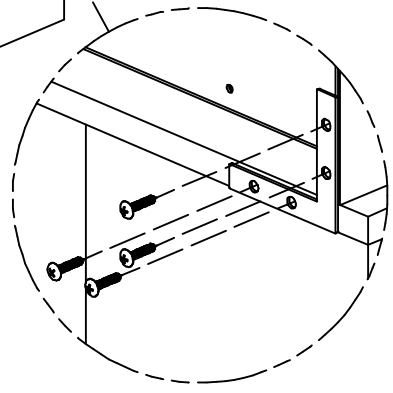


[ 8 ]

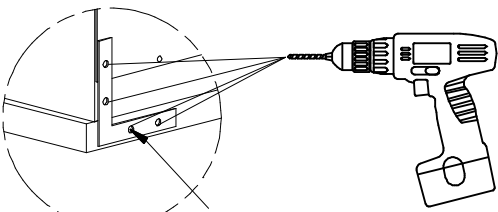
#10 x 1"



2



2



**1** Drill (8) 1/8" holes 3/4" deep.  
Perfore (8) agujeros de 3mm a 19mm de profundo.  
Percer (8) trous de 3mm de diamètre et 19mm de profondeur.

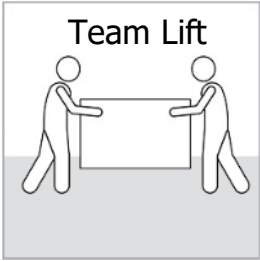
Go to Step 24.  
Proceda al paso 24.  
Allez à l'étape 24.

Have an assembly question or need a replacement part? Just call  
**1-800-950-4782**, we are here to help.

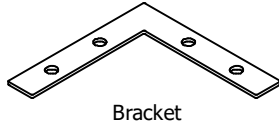
# STEP 23

# Attach Hutch

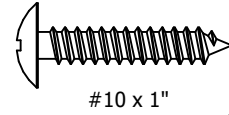
A213424



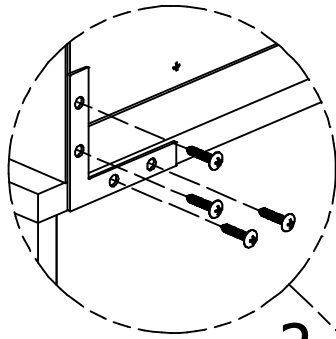
H85966



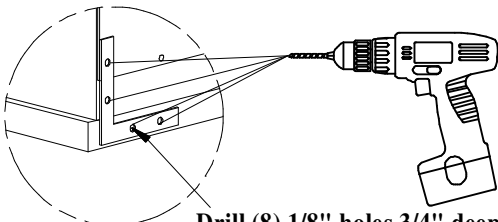
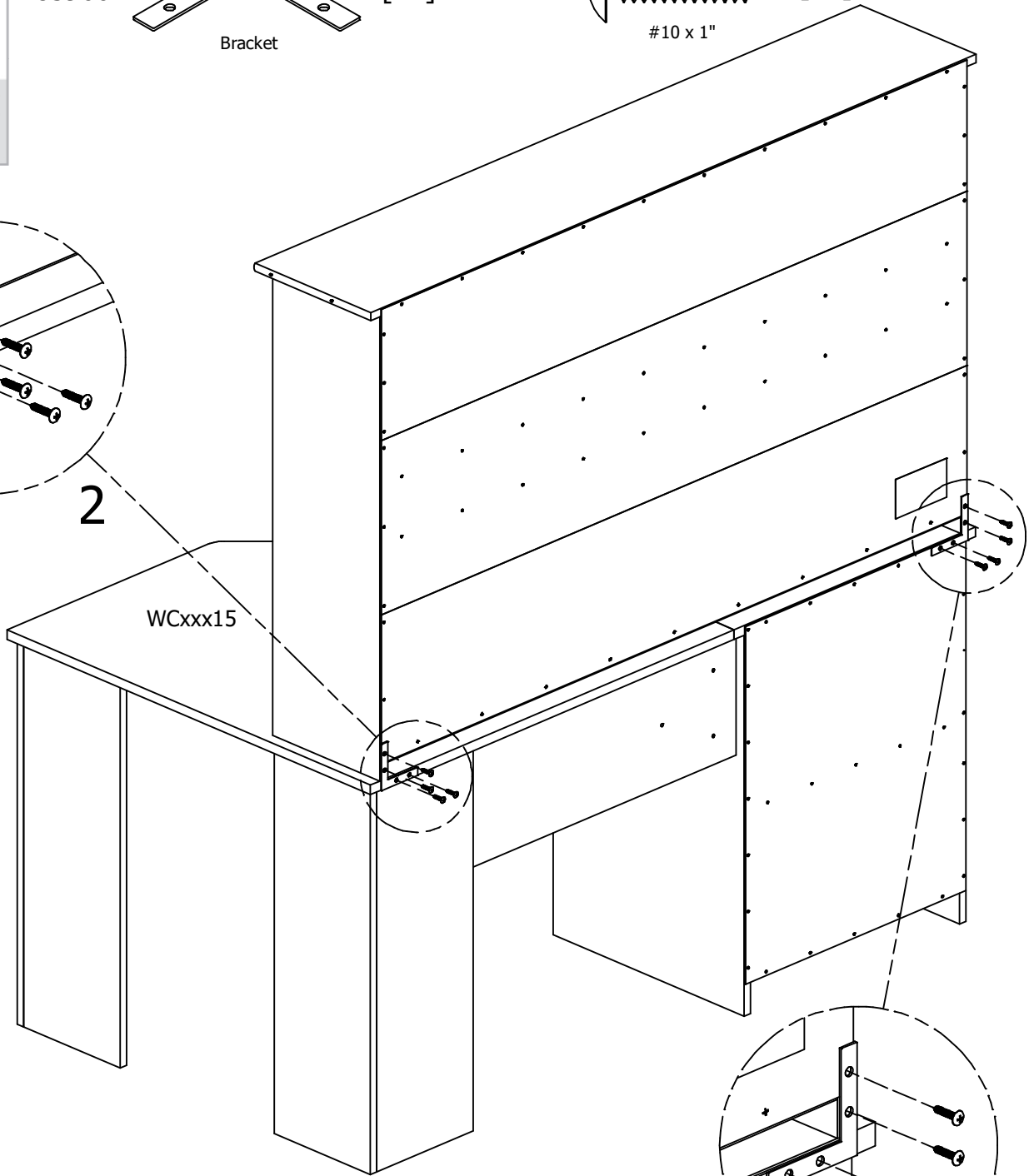
[ 2 ] H23682



[ 8 ]



2



1

**Drill (8) 1/8" holes 3/4" deep.**  
Perfore (8) agujeros de 3mm a 19mm de profundido.  
Percer (8) trous de 3mm de diamètre et 19mm de profondeur.

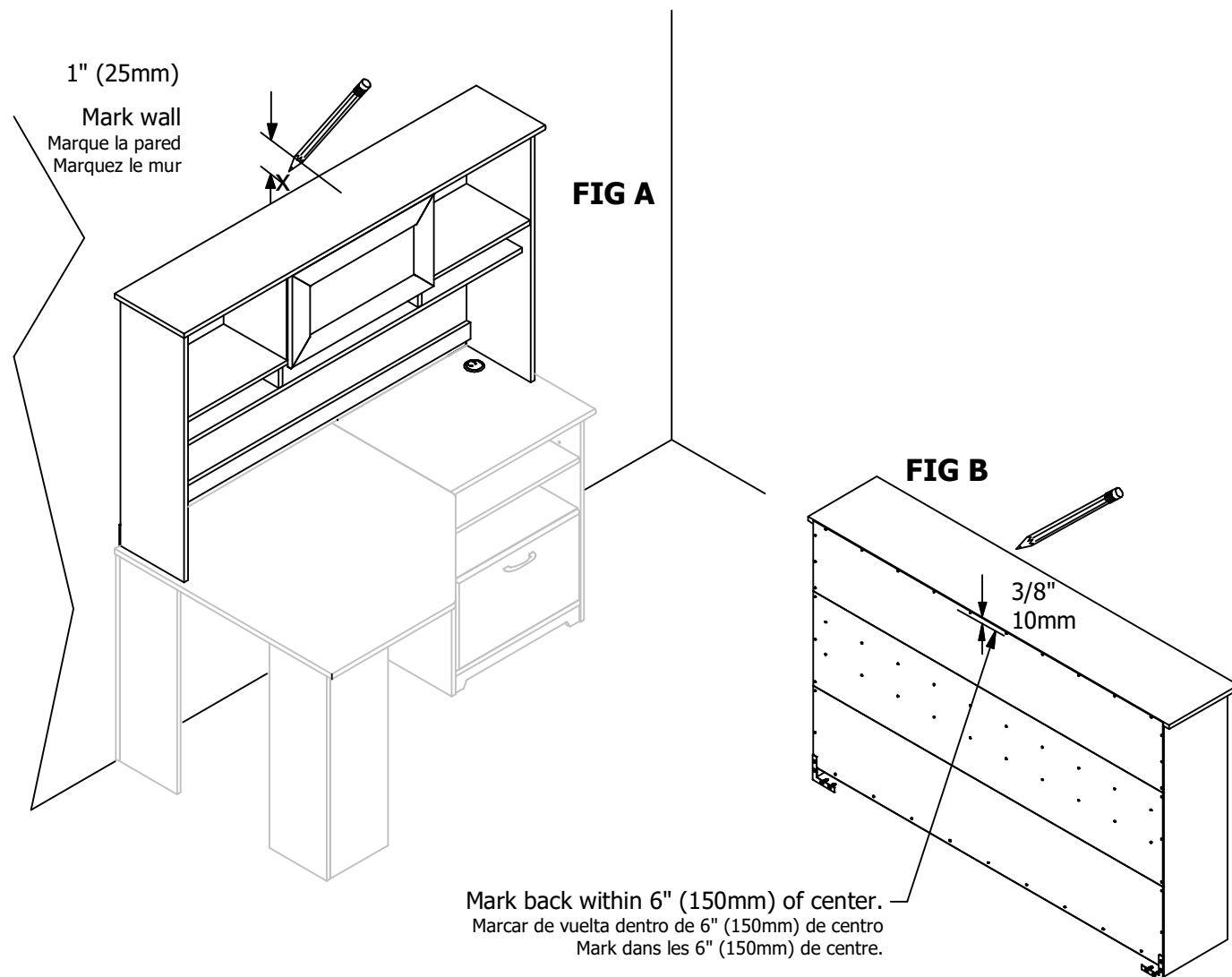
Have an assembly question or need a replacement part? Just call  
**1-800-950-4782**, we are here to help.

Secure unit to the wall with a tip-over restraint.  
 Unidad de seguro a la pared con un sistema de retención de un vuelco.  
 Fixer l'unité au mur avec un dispositif de retenue renversement.

1. Place unit in desired location.
2. Locate wall stud nearest unit center. **FIG A**
3. On wall, mark center of stud location 1" below top of unit. **FIG A**
4. If a wall stud cannot be located mark hollow wall at unit center. **FIG A**
5. On back of unit, mark corresponding location 3/8" below top of unit. **FIG B**

1. Coloque la unidad en el lugar deseado.
2. Localice pie derecho de pared centro de unidad más próxima.
3. En la pared del, marque el centro de la ubicación del montante 1 "abajo la parte superior de la unidad.
4. Si un poste de la pared no se puede localizar marcar pared hueca en el centro de la unidad.
5. En el dorso de la unidad, marque la ubicación 3/8 correspondiente abajo la parte superior de la unidad.

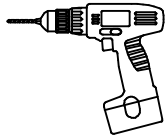
1. Placez l'unité à l'endroit désiré.
2. Localiser centre d'unité la plus proche de la paroi Stud.
3. Sur le mur, centre de emplacement du montant 1 "ci-dessous dessus de l'appareil de la marque.
4. Si un montant de mur ne peut pas être situé marquer mur creux au centre de l'unité.
5. Le dos de l'appareil, marquer l'emplacement 3/8 correspondant ci-dessous dessus de l'appareil.



Have an assembly question or need a replacement part? Just call  
**1-800-950-4782**, we are here to help.

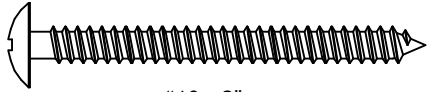


# WALL STUD ATTACHMENT



Drill 1/8" hole 2" deep at mark on wall.  
 Taladro 1/8 "agujero 2" de profundidad en la marca en la pared.  
 Percer 1/8 "trou de 2" de profondeur à la marque sur le mur.

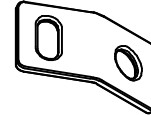
H181434



[ 1 ]

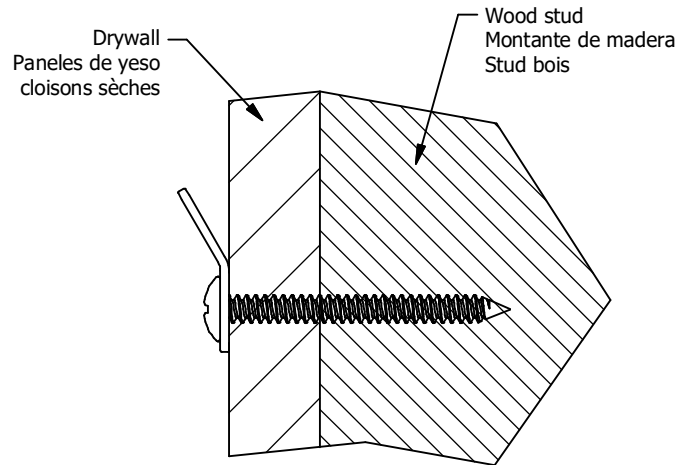
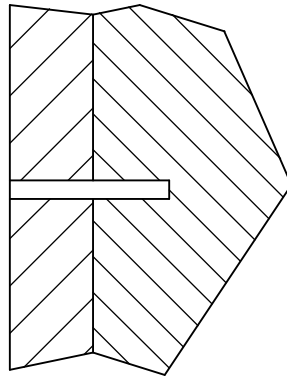
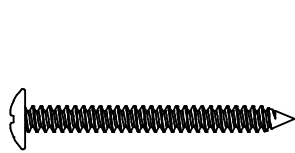
#10 x 2"

H181412

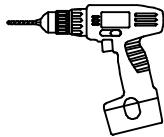


[ 1 ]

Connecting Plate

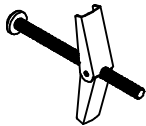


# HOLLOW WALL ATTACHMENT



Drill 1/2" hole 1" deep at mark on wall.  
 Taladro 1/2 "agujero 1" de profundidad en la marca en la pared.  
 Percer 1/2 "trou de 1" de profondeur à la marque sur le mur.

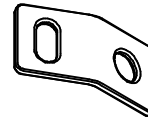
H181419



[ 1 ]

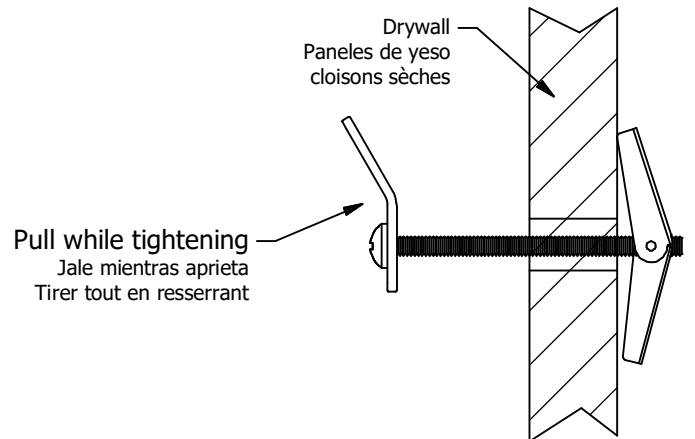
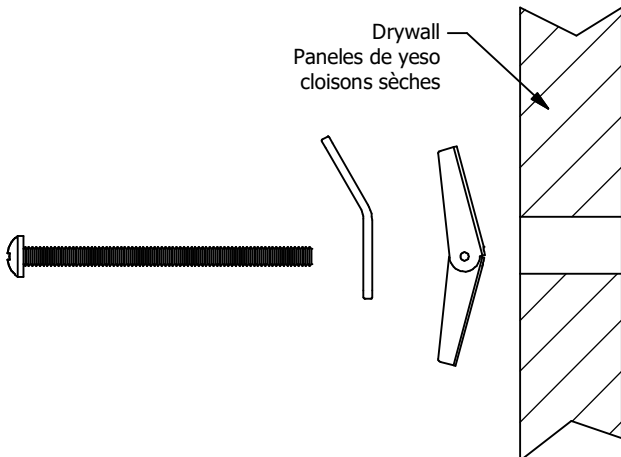
Toggle Bolt

H181412



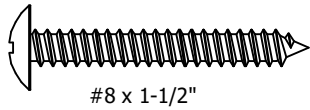
[ 1 ]

Connecting Plate



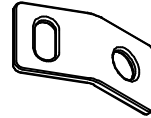
Have an assembly question or need a replacement part? Just call  
**1-800-950-4782**, we are here to help.

H107572



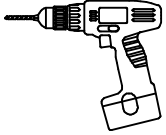
[ 1 ]

H181412



[ 1 ]

Connecting Plate

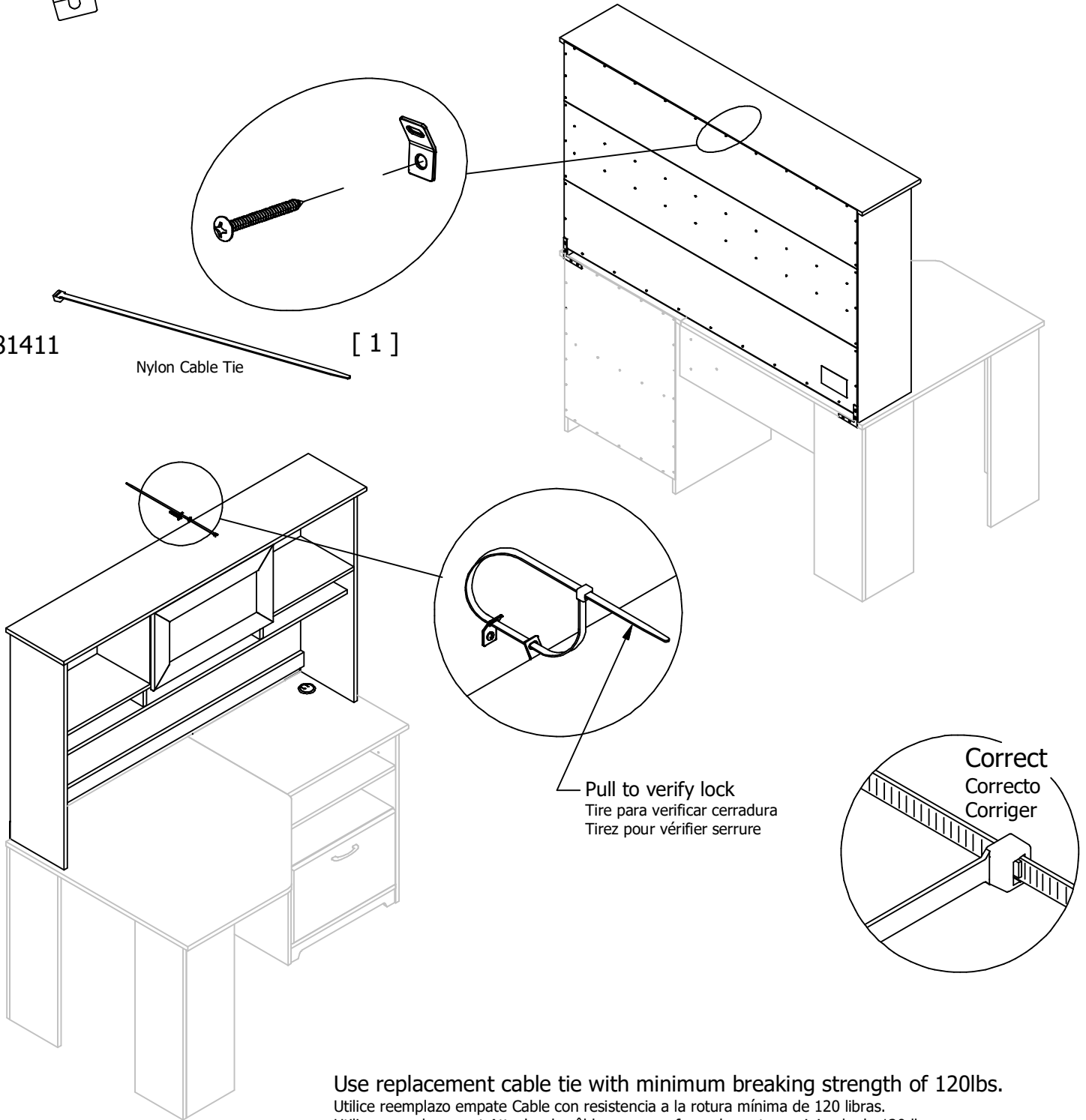


Drill 1/8" hole 1" deep at mark on unit.  
Taladro 1/8 "agujero de 1" de profundidad en la marca de la unidad.  
Perçer 1/8 "trou 1" de profondeur à la marque sur l'unité.

H181411

Nylon Cable Tie

[ 1 ]



Use replacement cable tie with minimum breaking strength of 120lbs.

Utilice reemplazo empaque Cable con resistencia a la rotura mínima de 120 libras.

Utilisez remplacement Attache de câble avec une force de rupture minimale de 120 lbs.

Have an assembly question or need a replacement part? Just call

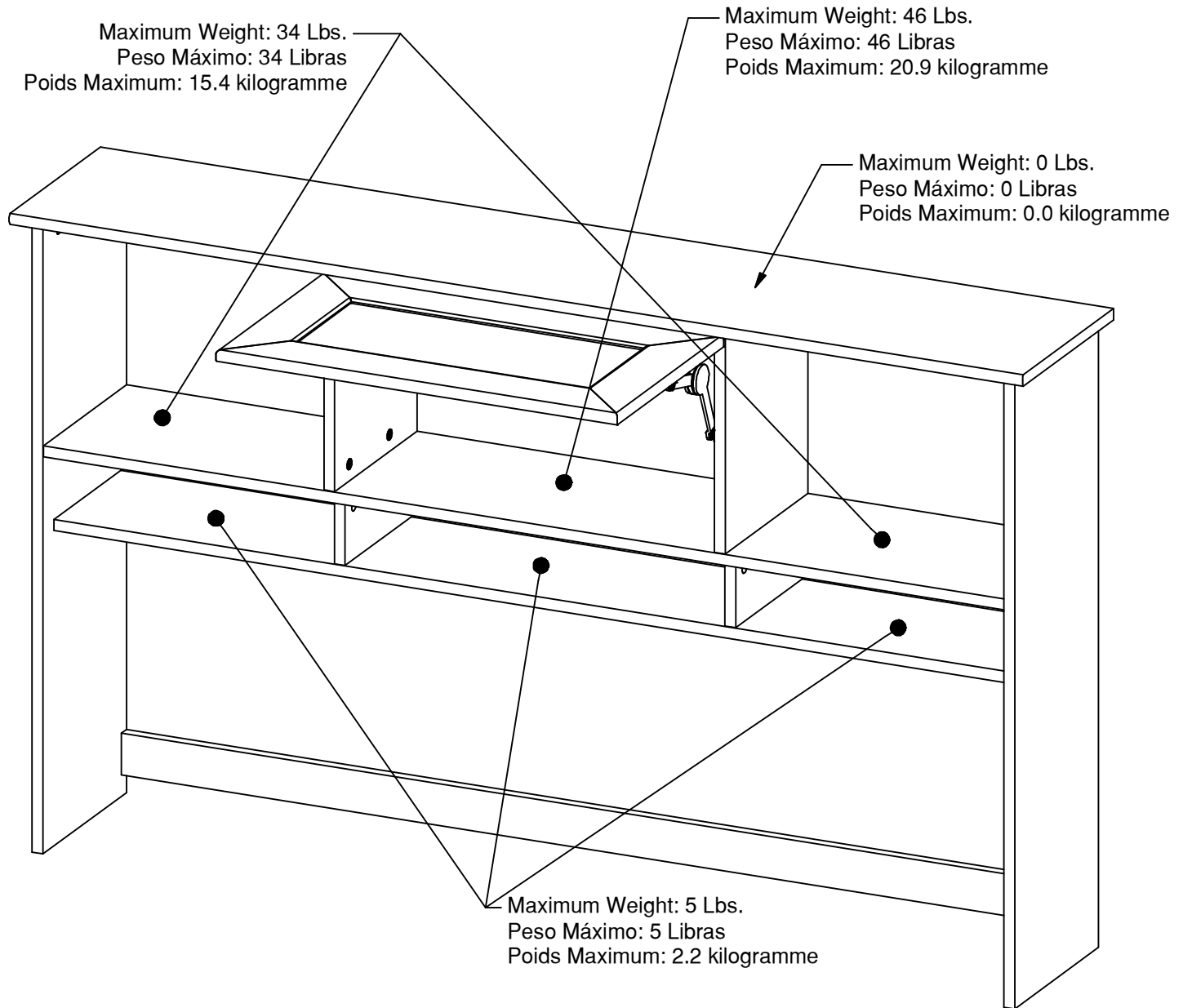
**1-800-950-4782**, we are here to help.

Scan QR Code to Watch Video on:



How to Clean the Surface

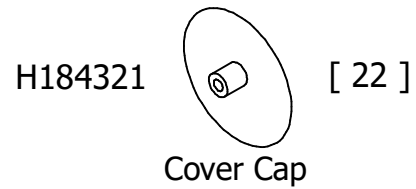
Gently clean surfaces with a damp sponge eraser.



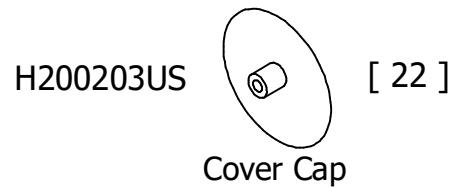
Congratulations! You are all done. If you have any questions or concerns, please call.

Have an assembly question or need a replacement part? Just call **1-800-950-4782**, we are here to help.

WC31031			
LABEL	PART NUMBER	QTY	DESCRIPTION
A	W213952	1	Top Shelf
B	W213953	1	Left Side Panel
C	W213954	1	Right Side Panel
D	W213955	1	Middle Shelf
E	W213956	1	Bottom Shelf
F	W213957	1	Support Rail
G	W213958	2	Divider
H	W213959	1	Left Partition
I	W213960	1	Right Partition
J	W213961	1	Back Panel
K	S213963	1	Door Assembly
L	W213962	1	Center Back Panel



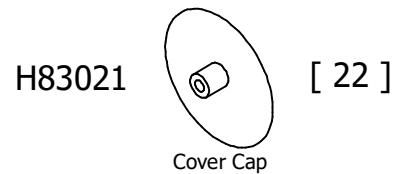
WC31131			
LABEL	PART NUMBER	QTY	DESCRIPTION
A	W213966	1	Top Shelf
B	W213967	1	Left Side Panel
C	W213968	1	Right Side Panel
D	W213969	1	Middle Shelf
E	W213970	1	Bottom Shelf
F	W213971	1	Support Rail
G	W213972	2	Divider
H	W213973	1	Left Partition
I	W213974	1	Right Partition
J	W213975	1	Back Panel
K	S213977	1	Door Assembly
L	W213976	1	Center Back Panel



WC31231			
LABEL	PART NUMBER	QTY	DESCRIPTION
A	W213223	1	Top Shelf
B	W213224	1	Left Side Panel
C	W213225	1	Right Side Panel
D	W213226	1	Middle Shelf
E	W213227	1	Bottom Shelf
F	W213228	1	Support Rail
G	W213229	2	Divider
H	W213230	1	Left Partition
I	W213231	1	Right Partition
J	W213232	1	Back Panel
K	S197006	1	Door Assembly
L	W213234	1	Center Back Panel



WC31331			
LABEL	PART NUMBER	QTY	DESCRIPTION
A	W213980	1	Top Shelf
B	W213981	1	Left Side Panel
C	W213982	1	Right Side Panel
D	W213983	1	Middle Shelf
E	W213984	1	Bottom Shelf
F	W213985	1	Support Rail
G	W213986	2	Divider
H	W213987	1	Left Partition
I	W213988	1	Right Partition
J	W213989	1	Back Panel
K	S213991	1	Door Assembly
L	W213990	1	Center Back Panel



WC31431			
LABEL	PART NUMBER	QTY	DESCRIPTION
A	W210193	1	Top Shelf
B	W210194	1	Left Side Panel
C	W210195	1	Right Side Panel
D	W210196	1	Middle Shelf
E	W210197	1	Bottom Shelf
F	W210198	1	Support Rail
G	W210199	2	Divider
H	W210200	1	Left Partition
I	W210201	1	Right Partition
J	W210202	1	Back Panel
K	S210203	1	Door Assembly
L	W213221	1	Center Back Panel

H184321



Cover Cap

[ 22 ]

WC31531			
LABEL	PART NUMBER	QTY	DESCRIPTION
A	W213994	1	Top Shelf
B	W213995	1	Left Side Panel
C	W213996	1	Right Side Panel
D	W213997	1	Middle Shelf
E	W213998	1	Bottom Shelf
F	W213999	1	Support Rail
G	W214000	2	Divider
H	W214001	1	Left Partition
I	W214002	1	Right Partition
J	W214003	1	Back Panel
K	S214005	1	Door Assembly
L	W214004	1	Center Back Panel

H77823



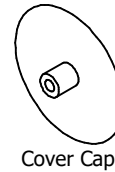
Cover Cap

[ 22 ]

Have an assembly question or need a replacement part? Just call  
**1-800-950-4782**, we are here to help.

WC31731			
LABEL	PART NUMBER	QTY	DESCRIPTION
A	W213235	1	Top Shelf
B	W213236	1	Left Side Panel
C	W213237	1	Right Side Panel
D	W213238	1	Middle Shelf
E	W213239	1	Bottom Shelf
F	W213240	1	Support Rail
G	W213241	2	Divider
H	W213242	1	Left Partition
I	W213243	1	Right Partition
J	W213244	1	Back Panel
K	S184688	1	Door Assembly
L	W213246	1	Center Back Panel

H92521



Cover Cap

[ 22 ]

WC31831			
LABEL	PART NUMBER	QTY	DESCRIPTION
A	W210206	1	Top Shelf
B	W210207	1	Left Side Panel
C	W210208	1	Right Side Panel
D	W210209	1	Middle Shelf
E	W210210	1	Bottom Shelf
F	W210211	1	Support Rail
G	W210212	2	Divider
H	W210213	1	Left Partition
I	W210214	1	Right Partition
J	W210215	1	Back Panel
K	S210216	1	Door Assembly
L	W213222	1	Center Back Panel

H73621

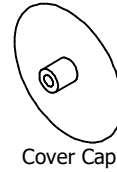


Cover Cap

[ 22 ]

WC31931			
LABEL	PART NUMBER	QTY	DESCRIPTION
A	W213247	1	Top Shelf
B	W213248	1	Left Side Panel
C	W213249	1	Right Side Panel
D	W213250	1	Middle Shelf
E	W213251	1	Bottom Shelf
F	W213252	1	Support Rail
G	W213253	2	Divider
H	W213254	1	Left Partition
I	W213255	1	Right Partition
J	W213256	1	Back Panel
K	S192331	1	Door Assembly
L	W213258	1	Center Back Panel

H73619



Cover Cap

[ 22 ]