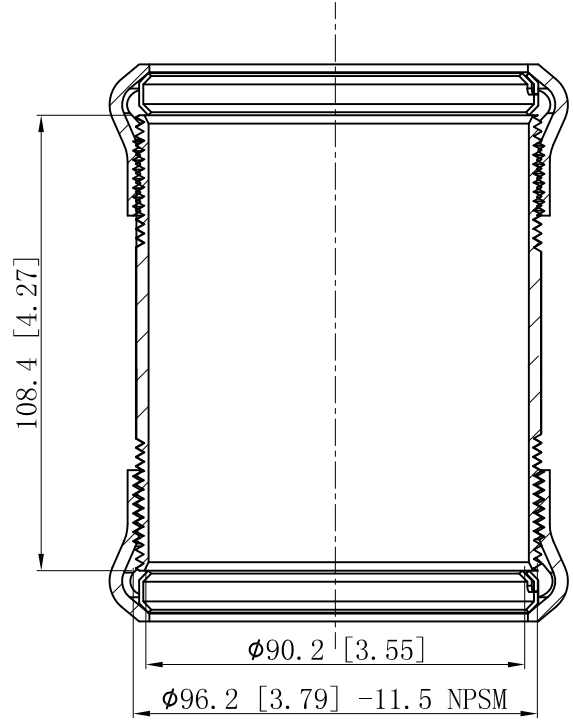
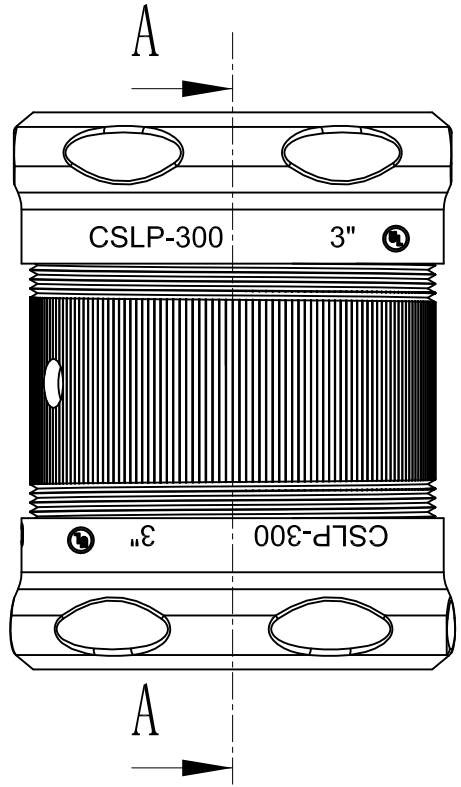


SIDES	BOTTOM
Material:Steel-Welding tube, zinc plated	



CUTAWAY VIEW A-A

This data sheet is for reference only .GARVIN INDUSTRIES reserves the right to make changes to the design without prior notice.

DESCRIPTION
TRADE REFERENCE TERMS

STANDARD PACKING	<h1 style="margin: 0;">GARVIN INDUSTRIES</h1>		
5 PCS			
TITLE	STEEL EMT SET COMPRESSION CONNECTORS		
SIZE	DWG NO.	CSLP-300	REV B
DATA SHEET			
www.garvinindustries.com			