

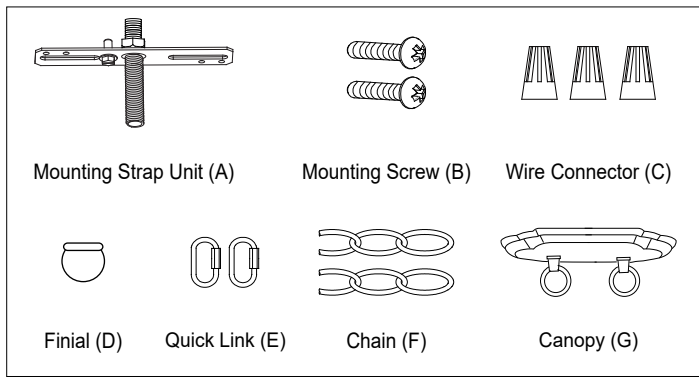
# ASSEMBLY AND INSTALLATION INSTRUCTIONS

H0299

**WARNING:** TO AVOID RISK OF ELECTRICAL SHOCK, BE SURE TO SHUT OFF POWER BEFORE INSTALLING OR SERVICING THIS FIXTURE.

**NOTES:** 1. Before installing, consult local electrical codes for wiring and grounding requirements.  
2. Read and save this instruction.

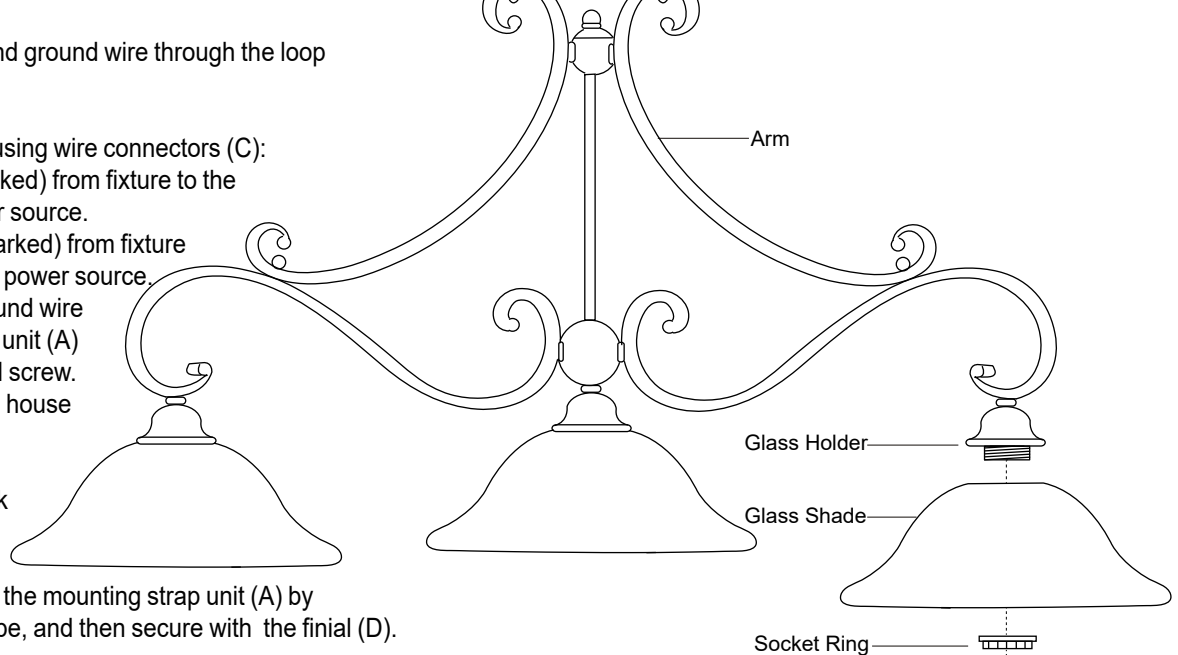
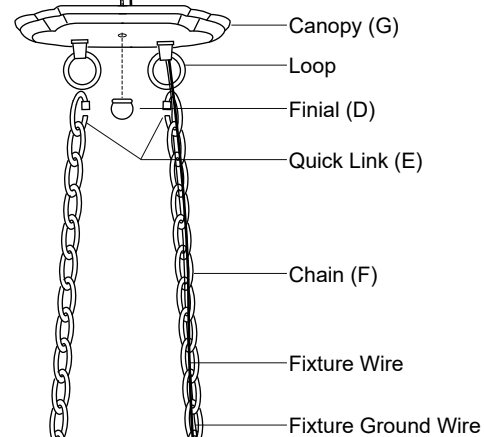
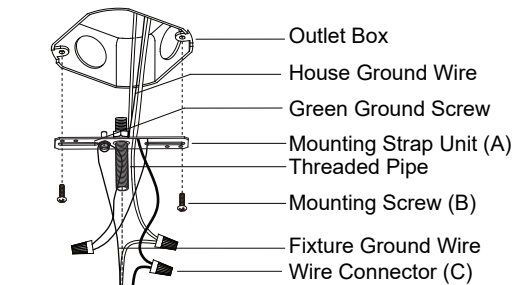
## Hardware Package (included):



## Installation Steps

Turn off the power at fuse or circuit box.

1. Attach the mounting strap unit (A) to the outlet box by using two mounting screws (B).
2. Choose two certain same length of the chains (F) you need, hook one end of the chains (F) to the arms, and then weave the fixture wire and the ground wire through one of the chains. Then connect the other end of the chains (F) to the loops by using the quick links (E).
3. Thread the fixture wire and ground wire through the loop and canopy (G) in order.
4. Make wire connections using wire connectors (C):
  - The smooth wire (marked) from fixture to the black wire from power source.
  - The ridged wire (unmarked) from fixture to the white wire from power source.
  - Attach the fixture ground wire to the mounting strap unit (A) with the green ground screw. Then connect it to the house ground wire with the wire connector (C).
 Carefully tuck wires back into the outlet box.
5. Attach the canopy (G) to the mounting strap unit (A) by inserting the threaded pipe, and then secure with the finial (D).
6. Attach the glass shades to the glass holders, and then secure with the socket rings.



Max. 100W Medium Base Bulb (not included)

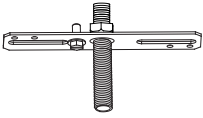
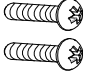
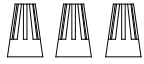





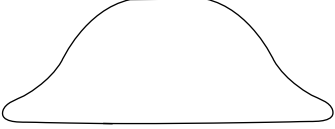
7. Install 3 x 100W max. medium base bulbs (not included) . See relamping label at socket area or packaging for maximum wattage allowed.

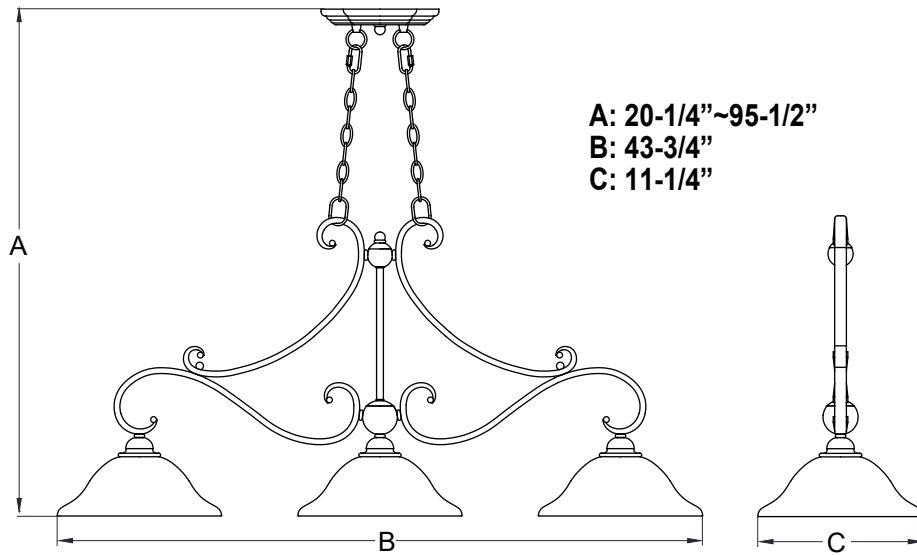
Turn on the power at fuse or circuit box.

The following parts are available for reorder if damaged or missing.

**Spare Parts List:**

						→ Mounting Hardware 6378MM(1 SET)
Mounting Strap Unit (A)	Mounting Screw (B)	Wire Connector (C)	Finial (D)	Loop Lock (E)	Chain (F)	

 Glass Shade  
5143GS



### 1 Year Warranty

Vaxcel warrants all of our products against defects in workmanship and finishes for one year following the date of shipment.

*Exclusions: This warranty does not include the failure of products from extreme acts of nature; environmental conditions not suited for the products intended use; operation in temperatures outside of the range specified in the instruction manual; usage with improper power supply, power surges or dips. For coastal locations, some corrosion is considered normal for the environment.*

*Vaxcel reserves the right to repair, replace or issue a credit for any properly installed product, provided it is returned per RMA instruction. This warranty is limited to the cost of the product only and does not extend to transportation, installation or replacement costs.*

How can warranty service be obtained?  
info@vaxcel.com  
1-800-482-9235