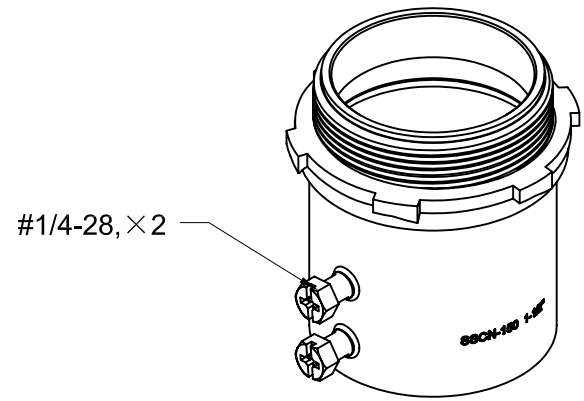
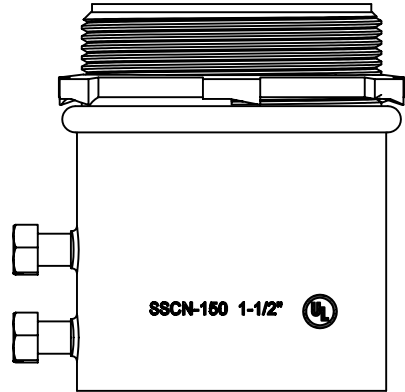
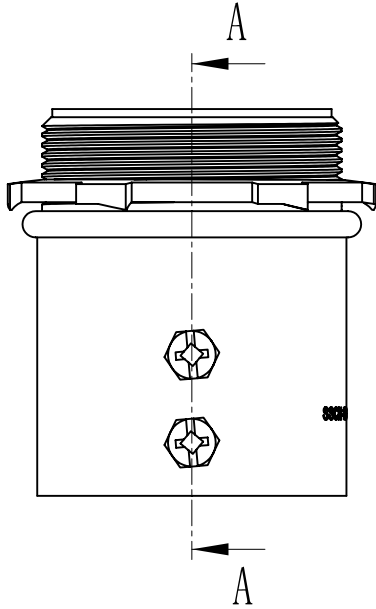
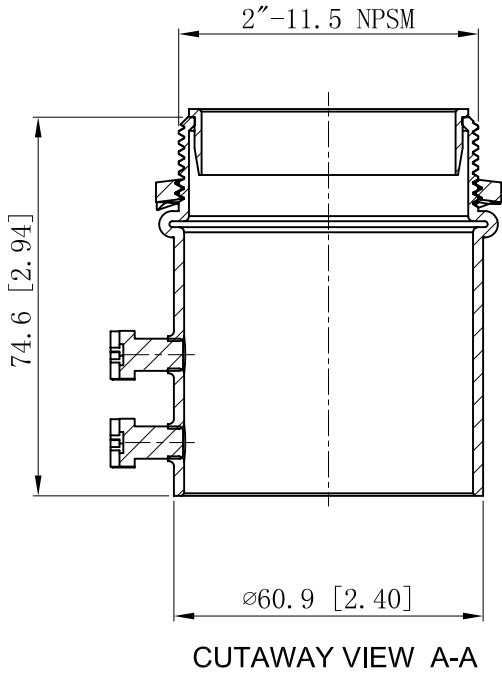


SIDES	BOTTOM
2 pcs #1/4-28×3/8 Screws Installed	
Material:Steel-Welding tuble, zinc plated	



DESCRIPTION
TRADE REFERENCE TERMS

STANDARD PACKING
10 PCS

This data sheet is for reference only .GARVIN INDUSTRIES reserves the right to make changes to the design without prior notice.

<b>GARVIN INDUSTRIES</b>			
TITLE STEEL EMT SET SCREW CONNECTORS			
SIZE A4	DWG NO.	SSCN-200I	REV A
DATA SHEET			