

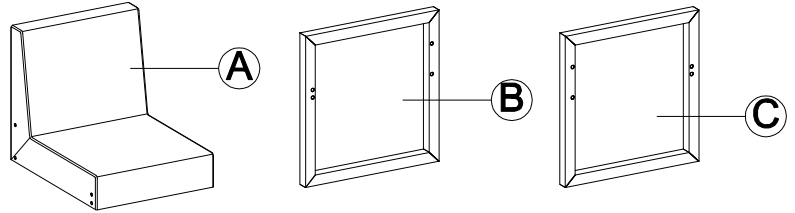
ONE COLLECT. ARM CHAIR ASSEMBLY INSTRUCTIONS



PARTS PACKING CONFIGURATIONS

A. SEAT
B. LEFT LEG
C. RIGHT LEG

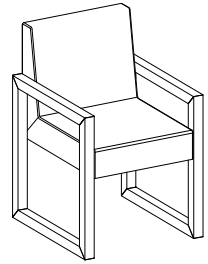
2PCS
2PCS
2PCS



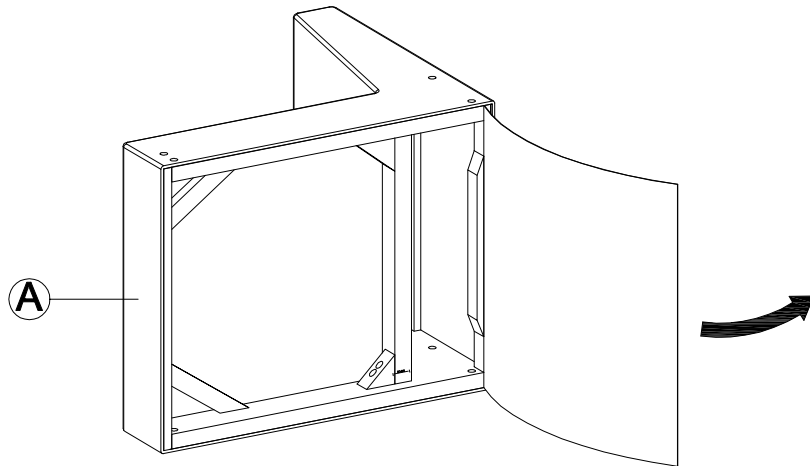
HARDWARE KIT PACKED IN BOX (for 2 chairs)

NO.	DESCRIPTION	IMAGE	Q'TY
1	ALLEN BOLT (5/16"x2")		16 PCS
2	LOCK WASHER (5/16")		16 PCS
3	FLAT WASHER (5/16")		16 PCS
4	ALLEN KEY (5mm)		2 PCS

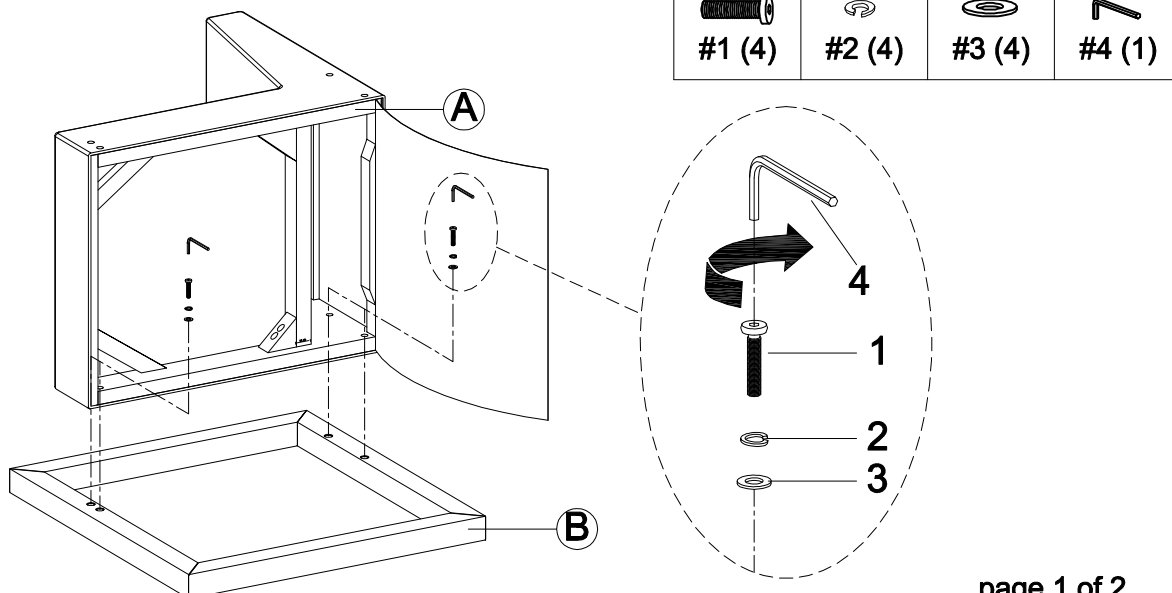
FULLY ASSEMBLED



Step 1:



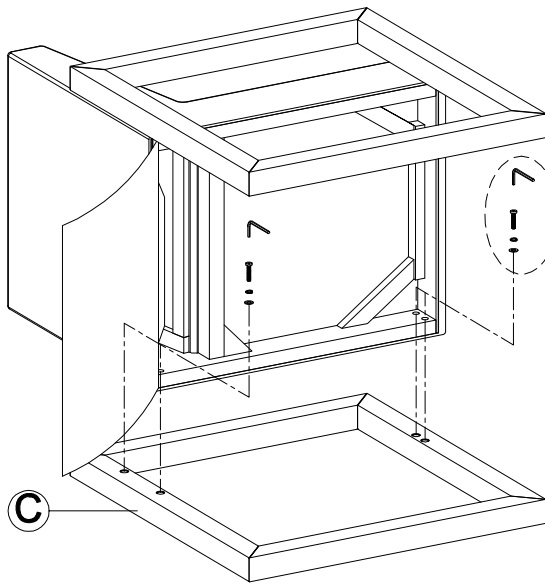
Step 2:







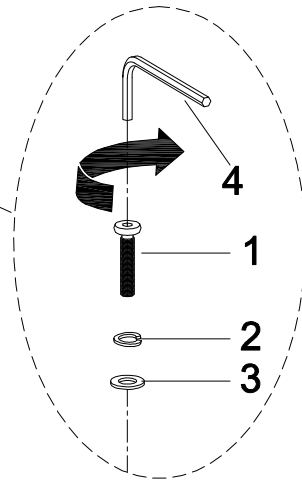
ONE COLLECT. ARM CHAIR ASSEMBLY INSTRUCTIONS



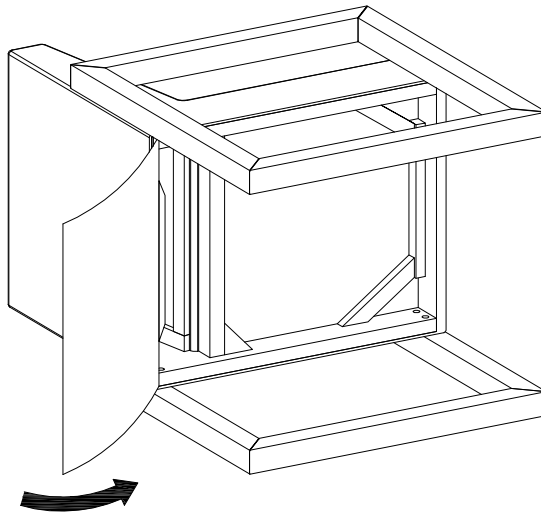
Step 3:



 #1 (4)	 #2 (4)	 #3 (4)	 #4 (1)
---	---	---	---



Step 4:



ASSEMBLY COMPLETE

