



QUICKSTER CHIPPING NET

INSTRUCTION MANUAL



PRACTICE

Thank you for choosing SKLZ Quickster Chipping Net. We are dedicated to providing you with the best tools and instruction possible to help you unleash your athletic potential. If there is anything else we can do to help you optimize your training, don't hesitate to send us an email (customerservice@sklz.com) or give us a call (1-877-225-7275).

*****IF YOU ARE MISSING ANY PARTS OR HAVE ANY PROBLEMS WITH YOUR SKLZ PRODUCT, PLEASE CONTACT US (customerservice@sklz.com) OR GIVE US A CALL (1-877-225-7275) AND WE WILL DO OUR BEST TO MAKE IT RIGHT.*****

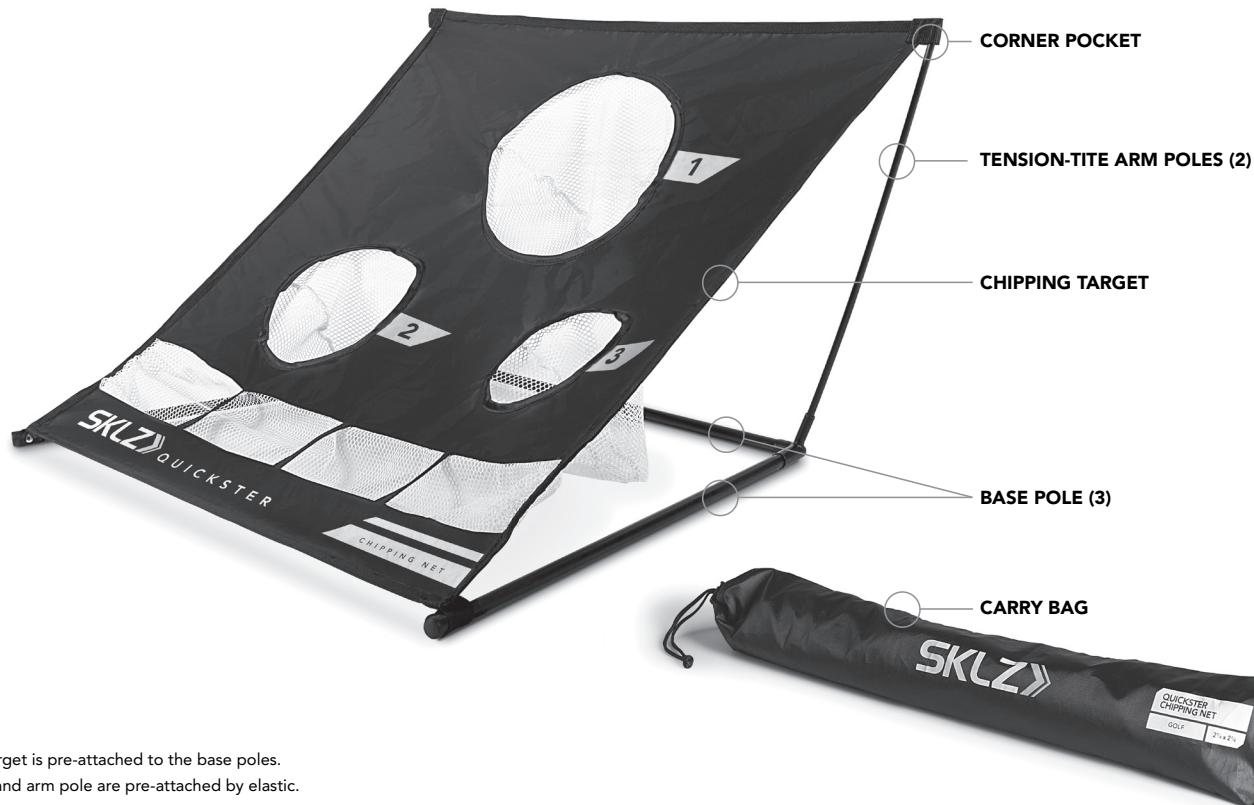
BEFORE YOU BEGIN:

- » Adult assembly required
- » Make sure you have all of the Quickster Chipping Net components.
- » Read all setup and usage instructions carefully.
- » When done, disassemble Quickster Chipping Net and store after use. Do not leave outdoors.
- » Regularly check for wear and tear. Stop using net if any part of it breaks. Failure to do so could result in injury.
- » Keep away from fire and heat sources.
- » Not suitable for children under 3 years of age.

⚠ WARNING:

- » Quickster Chipping Net is under tension when assembled. Please take the utmost care when releasing the tension during disassembly. Failure to do so may result in injury.

COMPONENTS



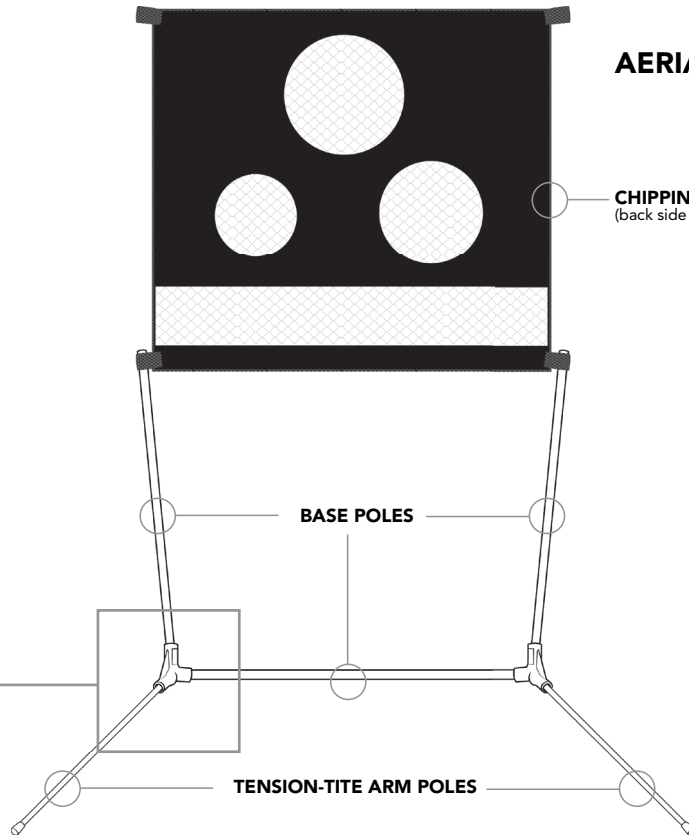
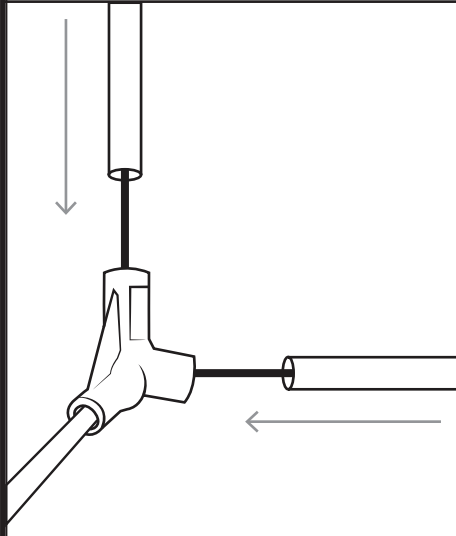
NOTE:

Chipping target is pre-attached to the base poles.
Base poles and arm pole are pre-attached by elastic.

**STEP 1
BASE POLE ASSEMBLY**

1 – Insert each of the Base Poles into the holes of the corresponding corner joints.

NOTE: Ensure poles are fully inserted. Failure to do so may result in damage to the Chipping Net.



**STEP 2
CONNECT THE CHIPPING TARGET TO THE TENSION-TITE™ ARM POLES**

NOTE: Ensure all poles are fully inserted. Failure to do so may result in damage to the Chipping Net.

1 – Slide each of the Tension-Tite™ Arm Poles into the corresponding top corner pocket on the Chipping Target.

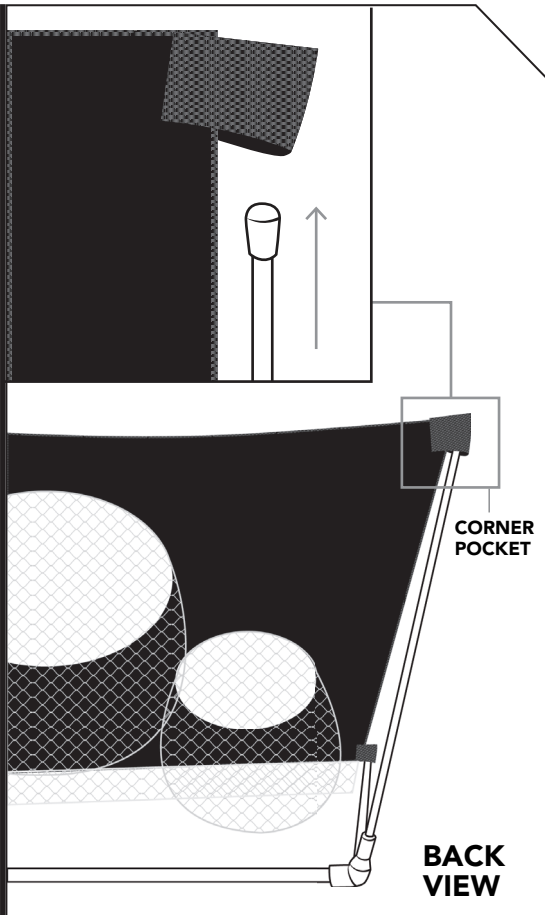
**STEP 3
STORING YOUR QUICKSTER CHIPPING NET**

Remove the Tension-Tite™ Arm Poles from the pockets on the Chipping Target.

WARNING: Chipping Net is under tension when assembled. Please take the utmost care when releasing the tension during disassembly. Failure to do so may result in injury.

Disconnect the Base Poles from the corner joints and fold the frame so all of the poles lay parallel.

Roll up the Frame into the Chipping Target, and place into the Carry Bag.



sV1

SKLZ.COM

VISIT SKLZ.COM FOR
INSTRUCTIONAL VIDEO AND CONTENT



Training Videos & Articles: SKLZ.com
facebook.com/SKLZgolf
twitter.com/SKLZ