


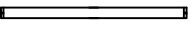

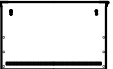

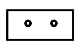




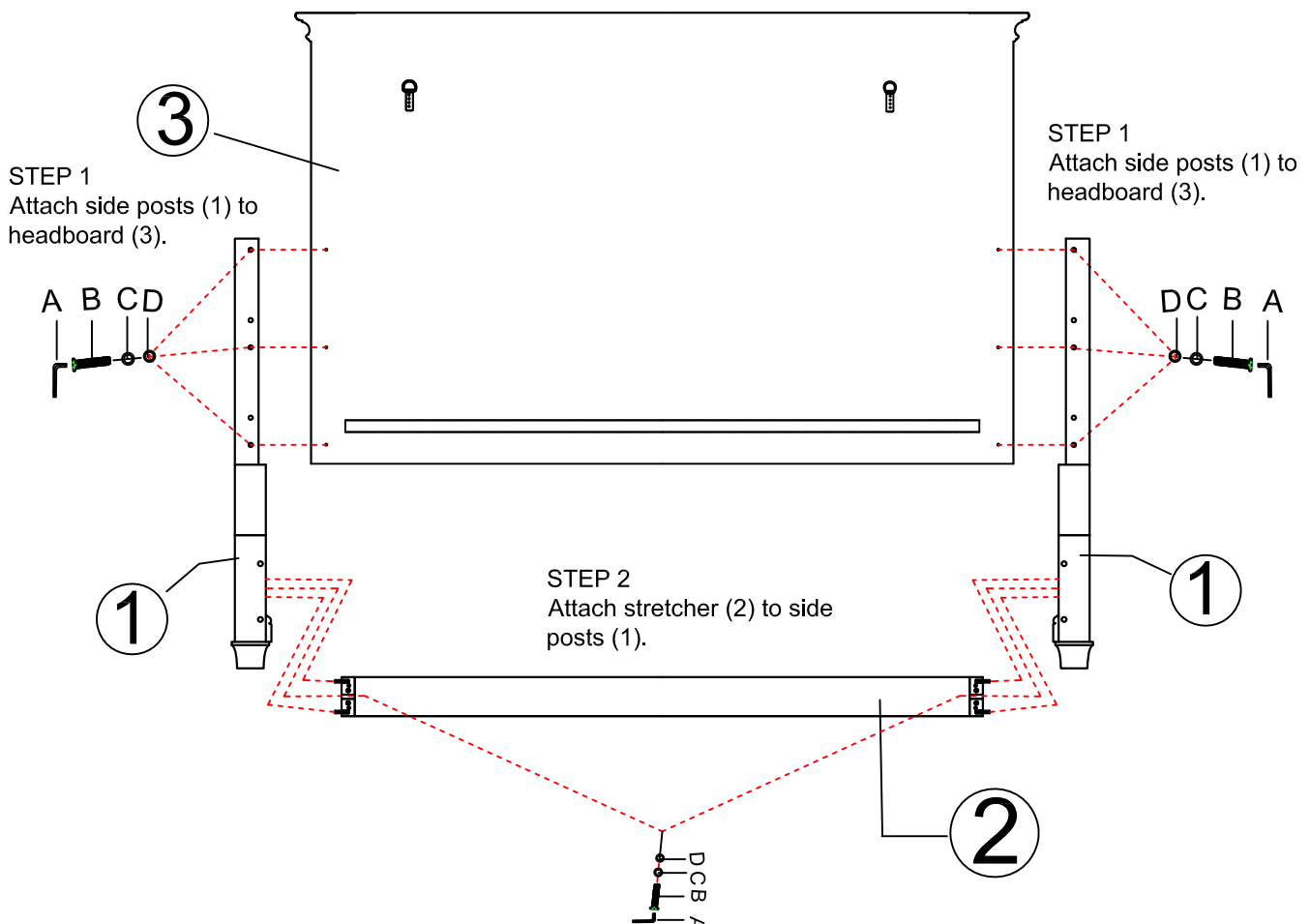
ITEM: 5961-90251-89 5/0 Panel Headboard
5961-90267-89 6/0-6/6 Panel Headboard

Thank you for purchasing this quality product. Be sure to unpack carefully looking for small parts which may have come loose during shipment.
Read all instruction and study the drawing carefully before starting the assembly process.

HARDWARE PACK					PART LIST			
NO.	DRAWING	DESCRIPTION	SIZE	Q'TY	NO.	DRAWING	DESCRIPTION	Q'TY
A		Allen Wrench	73*29*5mm	1PC	1		Side Post	2PCS
B		Bolt	Ø $\frac{5}{16}$ *40mm	8PCS	2		Stretcher	1PC
C		Lock Washer	Ø5/16"	8PCS	3		Headboard	1PC
D		Flat Washer	Ø5/16"	8PCS	4		Extension Block	2PCS
E		Hook	4*53mm	2PCS				
F		Plastic Anchor	Ø9*30mm	2PCS				

Note: Height of the Headboard can be adjusted by adding or removing the extension blocks.

Assembly steps of Headboard in 74" height (with extension block):

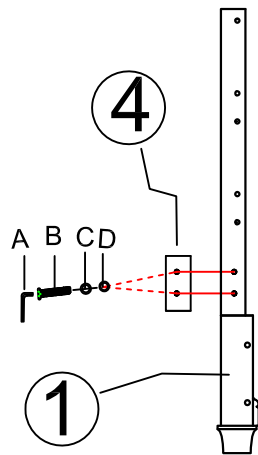


ITEM: 5961-90251-89 5/0 Panel Headboard
5961-90267-89 6/0-6/6 Panel Headboard

Thank you for purchasing this quality product. Be sure to unpack carefully looking for small parts which may have come loose during shipment.
Read all instruction and study the drawing carefully before starting the assembly process.

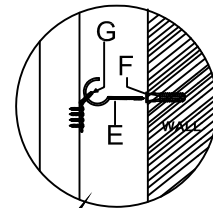
Assembly steps of Headboard in 66" height (without extension block):

STEP 1



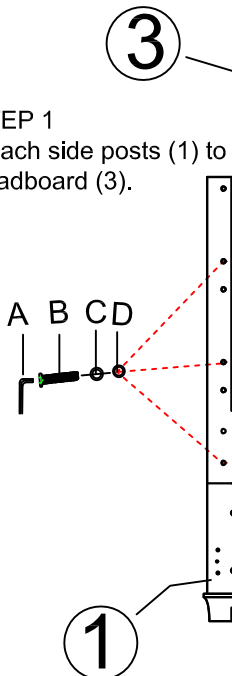
Remove extension blocks (4) from side posts (1).

STEP 3

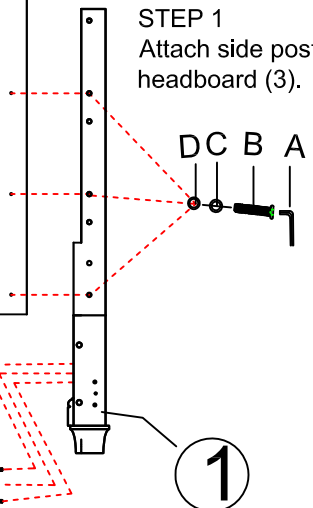


When using headboard only, hang the metal ring (G) onto the hook (E)

STEP 1
Attach side posts (1) to headboard (3).



STEP 1
Attach side posts (1) to headboard (3).



STEP 2
Attach stretcher (2) to side posts (1).

