

ASSEMBLY INSTRUCTIONS

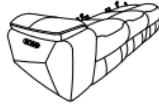





TEDDY COLLECTION

ITEM#: U5427-L30P2

DESCRIPTION : TEDDY LAF SOFA W/PWR HR & FR

Thank you for purchasing this quality product. Be sure to check all packing materials carefully for small parts, which may have come loose during shipment. Identify and count all items and compare with the parts list shown below. It is recommended to have two people during assembling and to remove the back and base of the furniture out from the box.

Please follow the drawings below to assemble the item

PARTS LIST			
NO.	DESCRIPTION	SKETCH	QTY
A	Seat		1PC
B	Left Side Facing (LSF) Backrest		1PC
C	Middle Backrest		1PC
D	Right Side Facing (RSF) Backrest		1PC
E	Left Side Facing (LSF) Backrest		1PC
F	Power Cable 29V		1PC

All images shown are for illustration purpose only.
Actual product may vary due to product enhancement.

ASSEMBLY INSTRUCTIONS

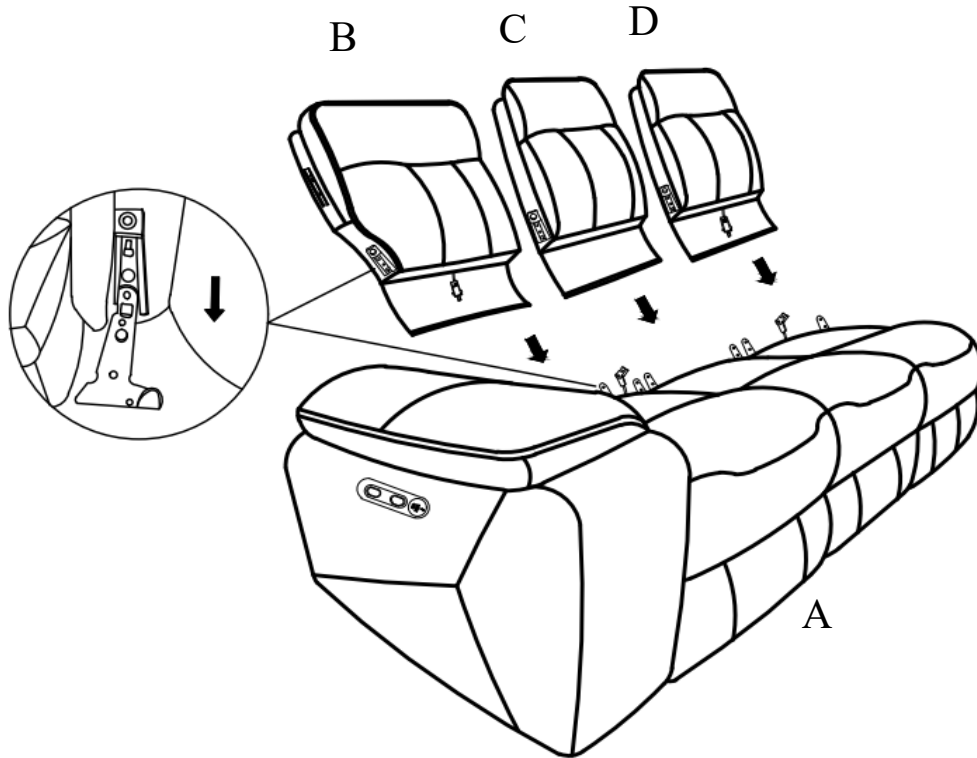
TEDDY COLLECTION

ITEM#: U5427-L30P2

DESCRIPTION : TEDDY LAF SOFA W/PWR HR & FR

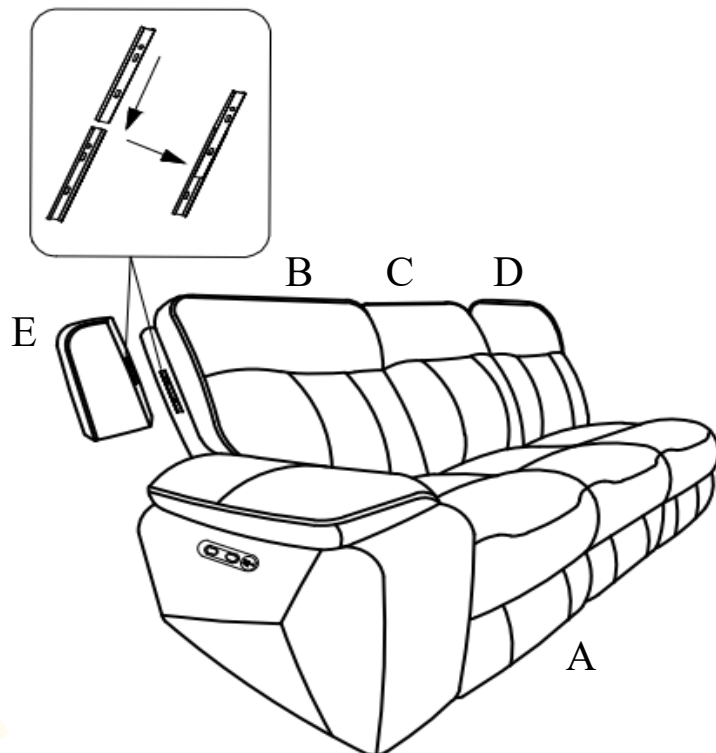
Step 1:

Insert the backrests (B/C/D) to the seat (A).
Make sure the backrests are secured in position.



Step 2:

Insert the LSF wing (E) to the LSF backrest (B). Make sure the wings are secured in position.



All images shown are for illustration purpose only.
Actual product may vary due to product enhancement.

ASSEMBLY INSTRUCTIONS

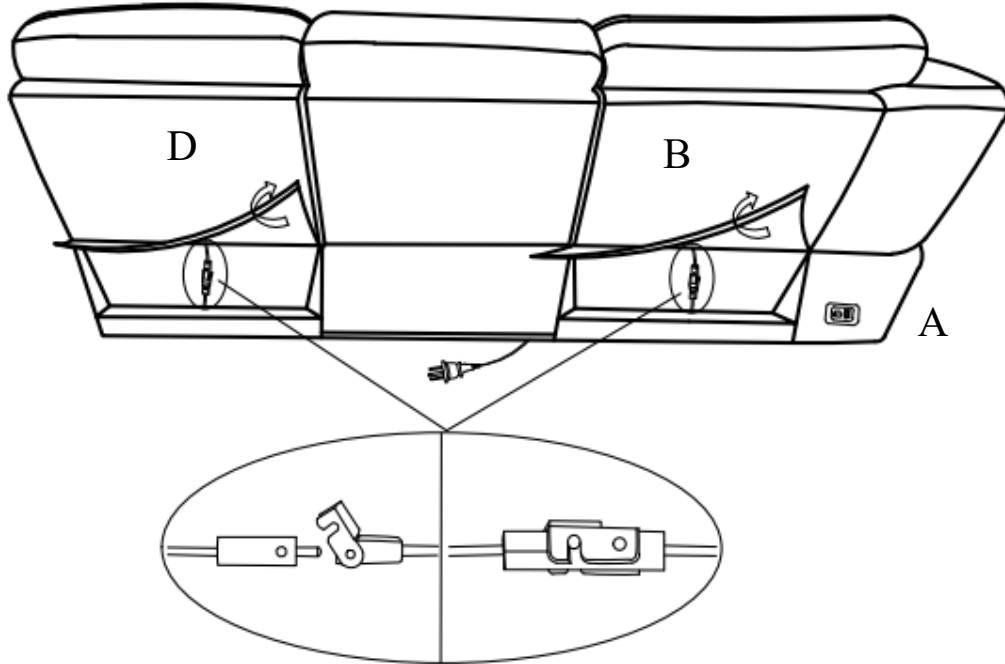
TEDDY COLLECTION

ITEM#: U5427-L30P2

DESCRIPTION : TEDDY LAF SOFA W/PWR HR & FR

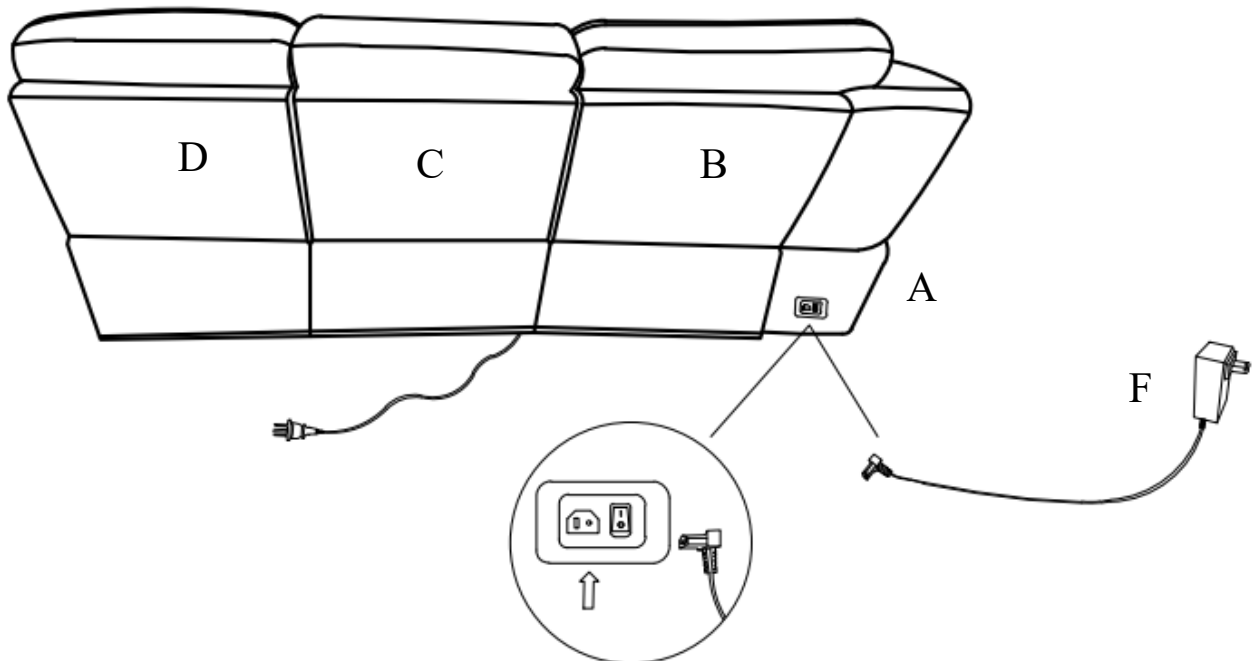
Step 3:

Connect the cable on the backrests (B & D) to the cables on the seat (A).



Step 4:

Locate the power cord on the back of the seat (A). Connect the 29 V Power Cord (F) to the power cord on the seat (A). Next, connect the wall plug the Middle Backrest (C) to the power source.



All images shown are for illustration purpose only.
Actual product may vary due to product enhancement.

ASSEMBLY INSTRUCTIONS

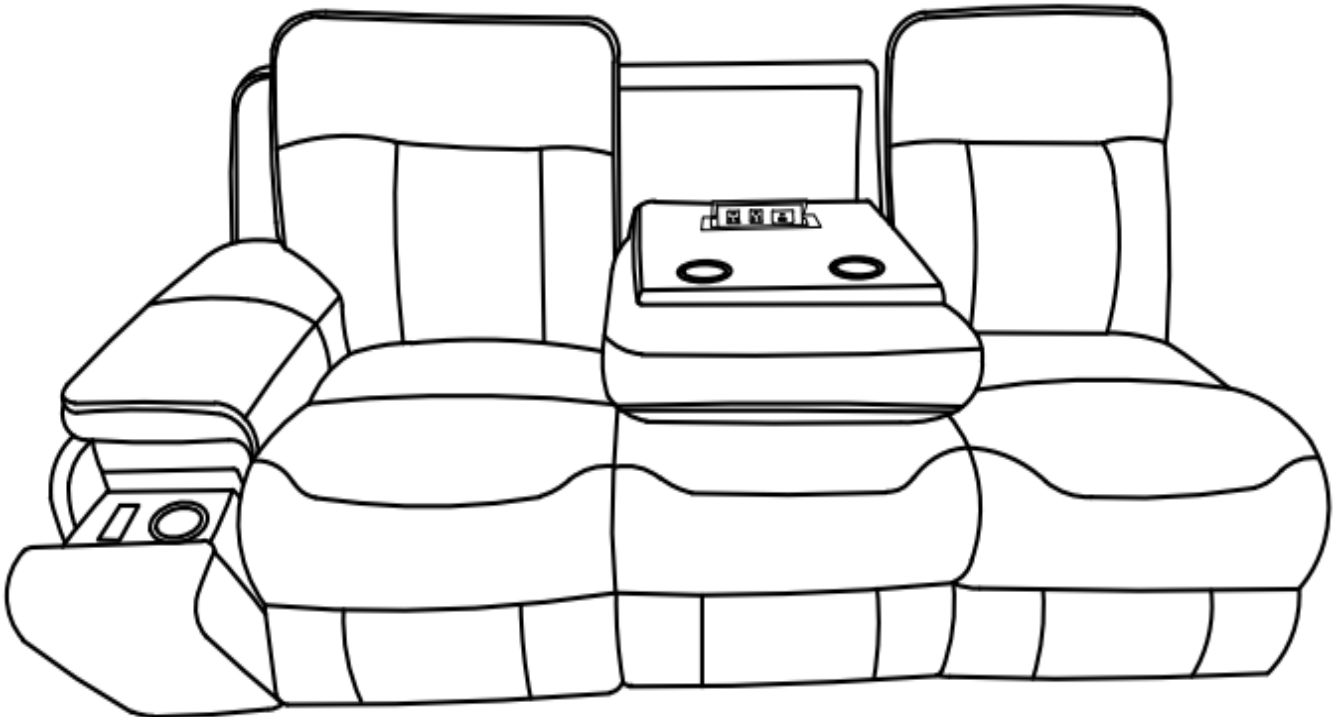
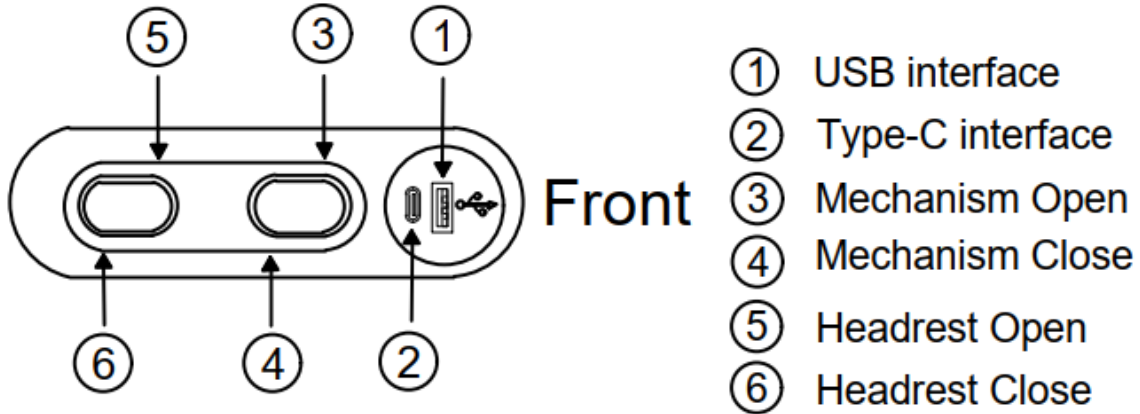
TEDDY COLLECTION

ITEM#: U5427-L30P2

DESCRIPTION : OTEDDY LAF SOFA W/PWR HR & FR

Step 5:

Connect the power and open/close the footrest and headrest by pressing the buttons.



All images shown are for illustration purpose only.
Actual product may vary due to product enhancement.