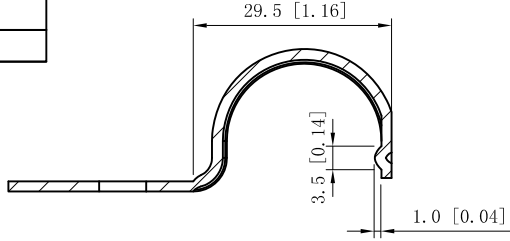
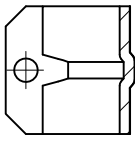
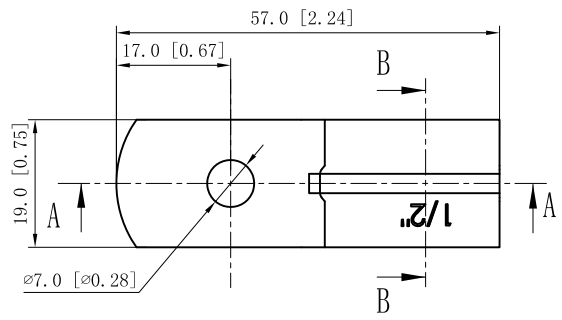


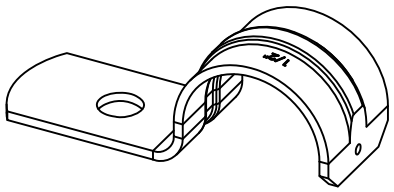
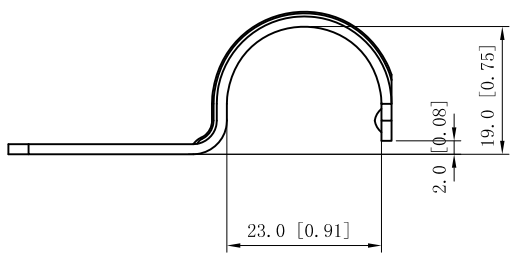
SIDES	BOTTOM
Material: 0.0591" - Stainless steel 316	



CUTAWAY VIEW A-A



CUTAWAY VIEW B-B



This data sheet is for reference only .GARVIN INDUSTRIES reserves the right to make changes to the design without prior notice.

DESCRIPTION
TRADE REFERENCE TERMS

STANDARD PACKING	<h1 style="text-align: center;">GARVIN INDUSTRIES</h1> <h2 style="text-align: center;">ONE-HOLE STRAPS</h2>		
	SIZE	DWG NO.	REV
	A4	OHSSR-50	
DATA SHEET			
www.garvinindustries.com			