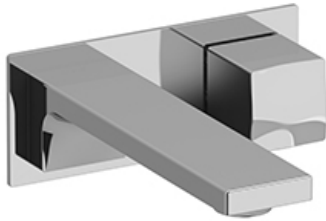




360° Wall-mount lavatory faucet
RF360



Specifications

Composition

- RH360 - Lavatory rough

Available flows

- 4.5 L/min, 1.2 gpm (US) 60psi *
- 1.9 L/min, 0.5 gpm (US) 60psi (**RF360-05**)

EPA certification applicable to the indicated model only

Certifications

- CSA B125.1
- NSF/ANSI standard 61 and 372
- ASME A112.18.1



Warranty

This Riobel Inc. product you have purchased carries a Limited Lifetime Warranty on the chrome, PVD finish, blacks and all working parts and is guaranteed from the initial purchase date against all manufacturing defects. All other finishes, including plastic components, are guaranteed for one year. All electric and/or electronic parts are covered by a 5-year limited warranty. The warranty offered on our products will be honored only if the installation is performed by a certified master plumber.

Customer Care

Phone (800) 777 - 9762 | Email: customer care@houseofrohl.com | Website: houseofrohl.com/support/contact-us

Consult your local House of Rohl showroom for additional information and specifications. For complete warranty details and a list of showrooms, go to houseofrohl.com



Lavatory rough
RH360



Specifications

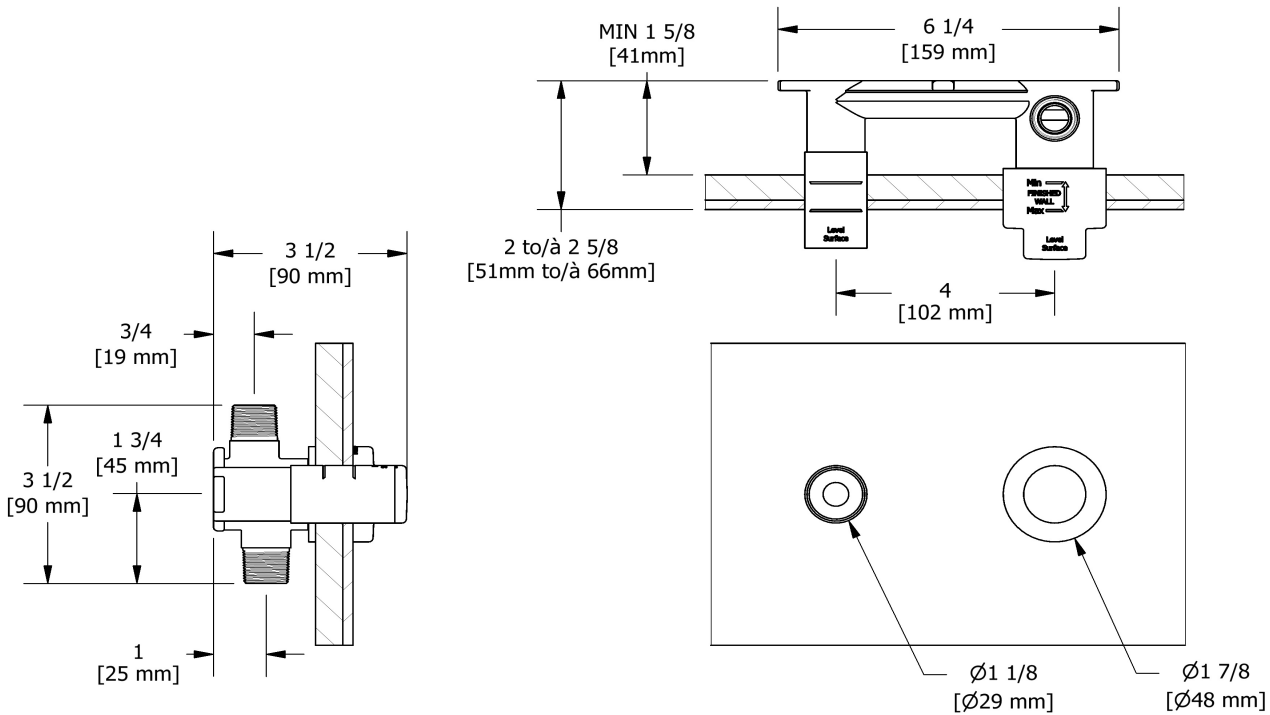
Descriptions

- Rough only
- Test cap
- 1/2" inlet female NPT
- Can be installed 360°

Certifications

- CSA B125.1
- NSF/ANSI standard 61 and 372
- ASME A112.18.1

UPC®



Sizes, models and finishes may differ from those presented.

Warranty

7KLV 5LREHO ,QF SURGXFW \RX KDYH SXUFKDVHG FDUULHV D /LPLWHG /LIHWLPH :DUUDQW\ RQ V
LQLWLDO SXUFKDVH GDWH DJDLQVW DOO PDQXIDFWXULQJ GHIIHFWV \$OO RWKHU ILQLVKHV LQ
DUH FRYHUHG E\ D \HDKUDLURUHQWURQJ QDSURGXFWV KRQRULH QV RQO\ DLOOHUWLRQV H U WPDIV WOXPEHU

Customer & DUH

3KRQH _ (PDLO FXVWRPHUFDUH#KRXVHRIURKO FRP _ :HEVLWH KRXVHRIURKO FRP V

&RQVXOW \RXU ORFDO +RXVH RI 5RKO VKRZURRP IRU DGGLWLRQDO LQIRUPDWLRQ DQG VSHFLILFDWLRQV)RU FRP