

WARNING

Small parts and sharp point may be present prior to assembly.

Care Instructions

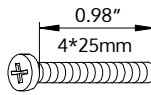
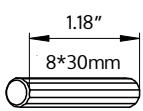
To clean your product, use mild soap and water on a damp cloth. Do not use window cleaners or cleaning abrasives as they will scratch the surface and could damage the protective coating.

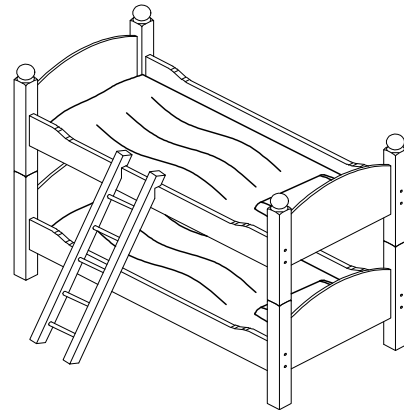
Customer Service

For questions regarding this product, or to receive replacement or missing parts, please contact customer service based on your location. Please have ready the model number and part number(s) located in this assembly instruction sheet when you contact us.

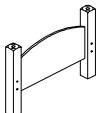
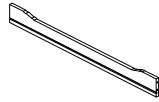
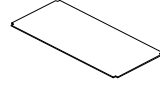
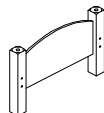

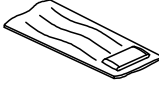
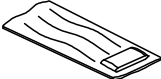

Made in China

HARDWARE

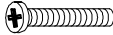
- ①  16PCS
- ②  4PCS

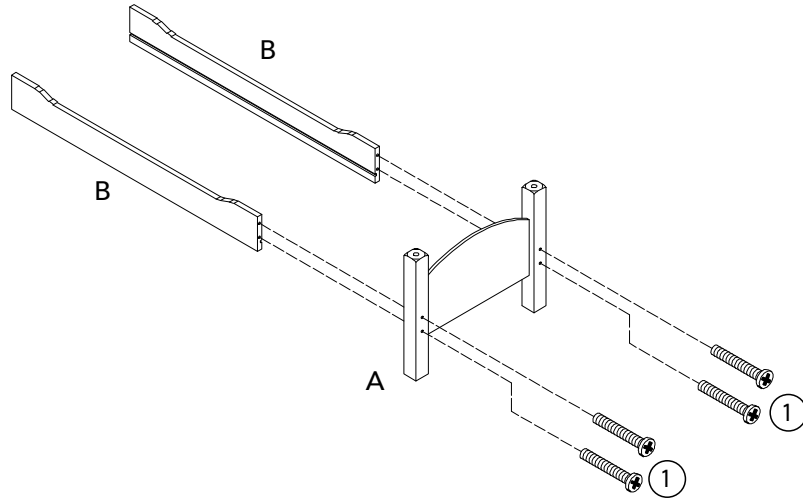


PRODUCT PART

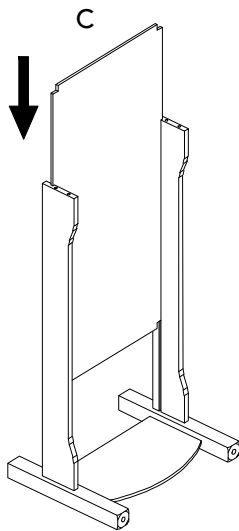
A	B	C	D	E	F
					
2PCS	4PCS	2PCS	2PCS	8PCS	1SET
G	H				
					
1SET	1SET				

STEP 1

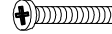
①  4PCS
4*25mm

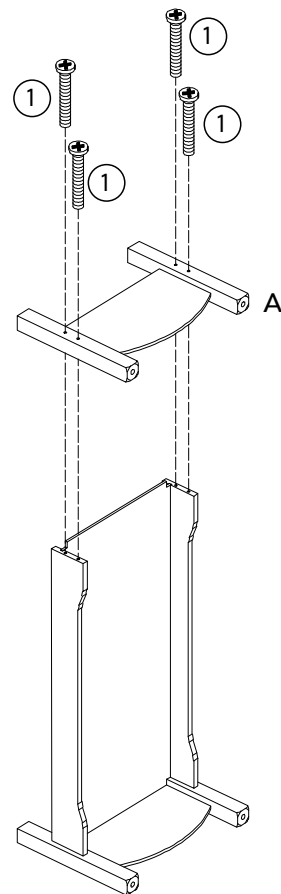


STEP 2

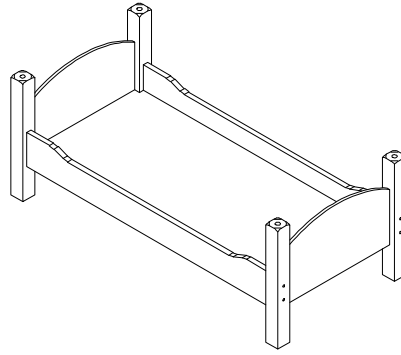


STEP 3

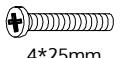
①  4PCS
4*25mm

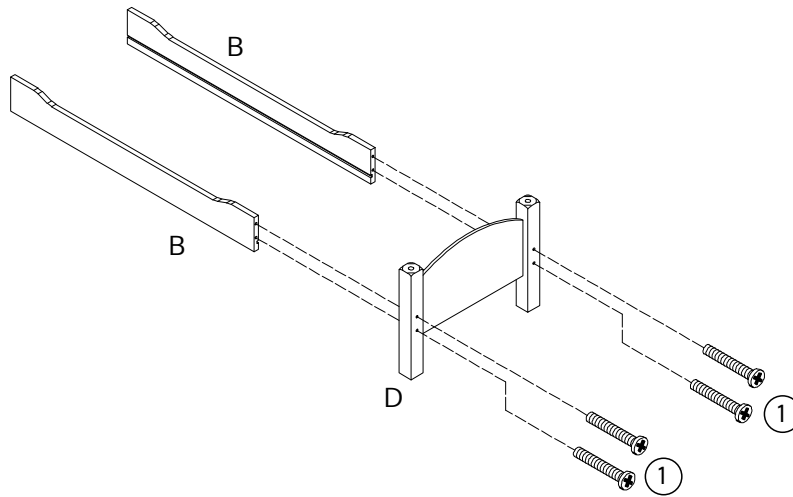


STEP 4

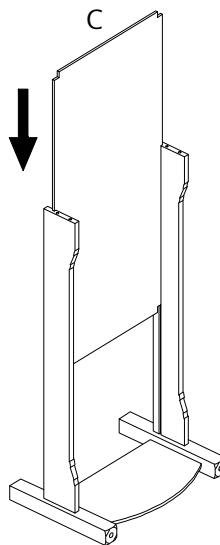


STEP 5

①  4PCS
4*25mm

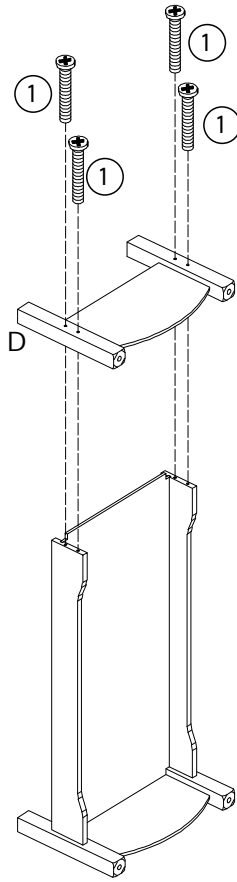


STEP 6

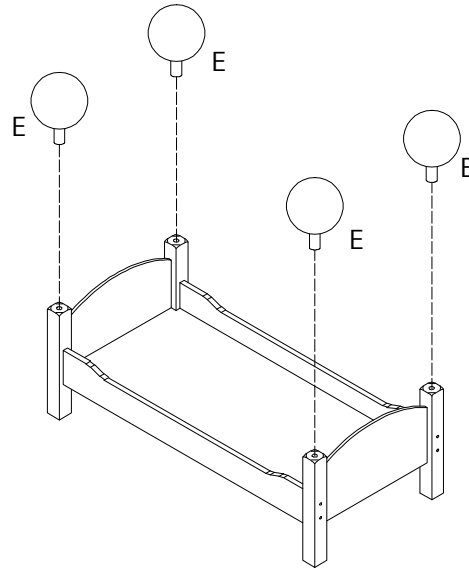


STEP 7

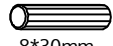
①  4PCS
4*25mm

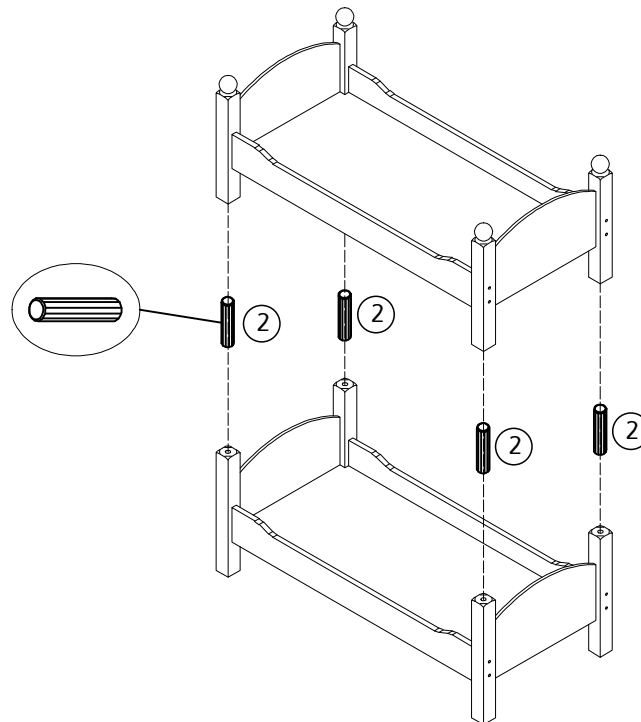


STEP 8

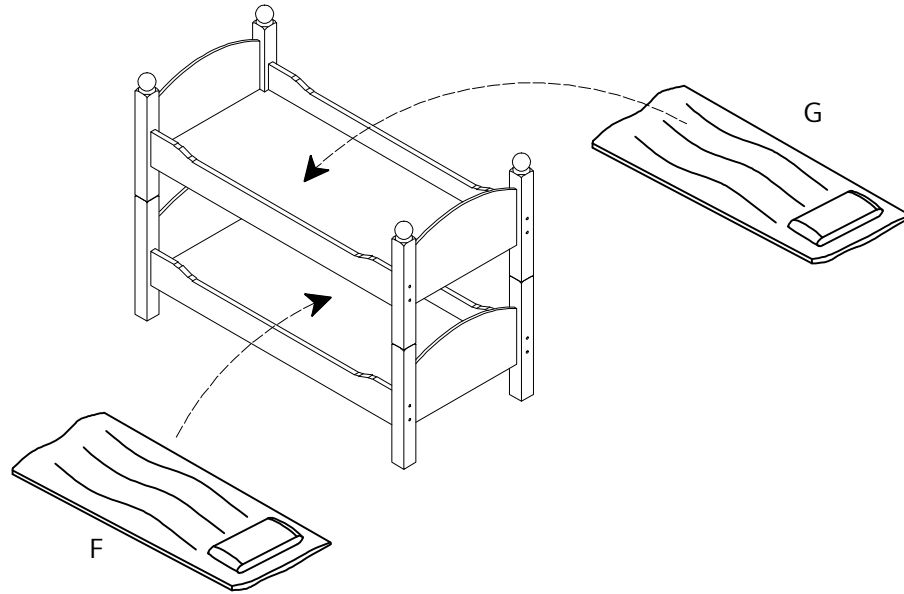


STEP 9

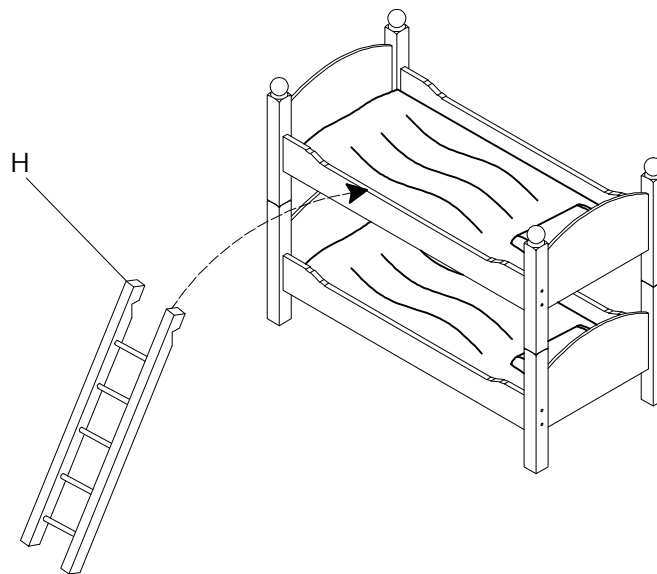
②  4PCS
8*30mm



STEP 10



STEP 11



STEP 12

