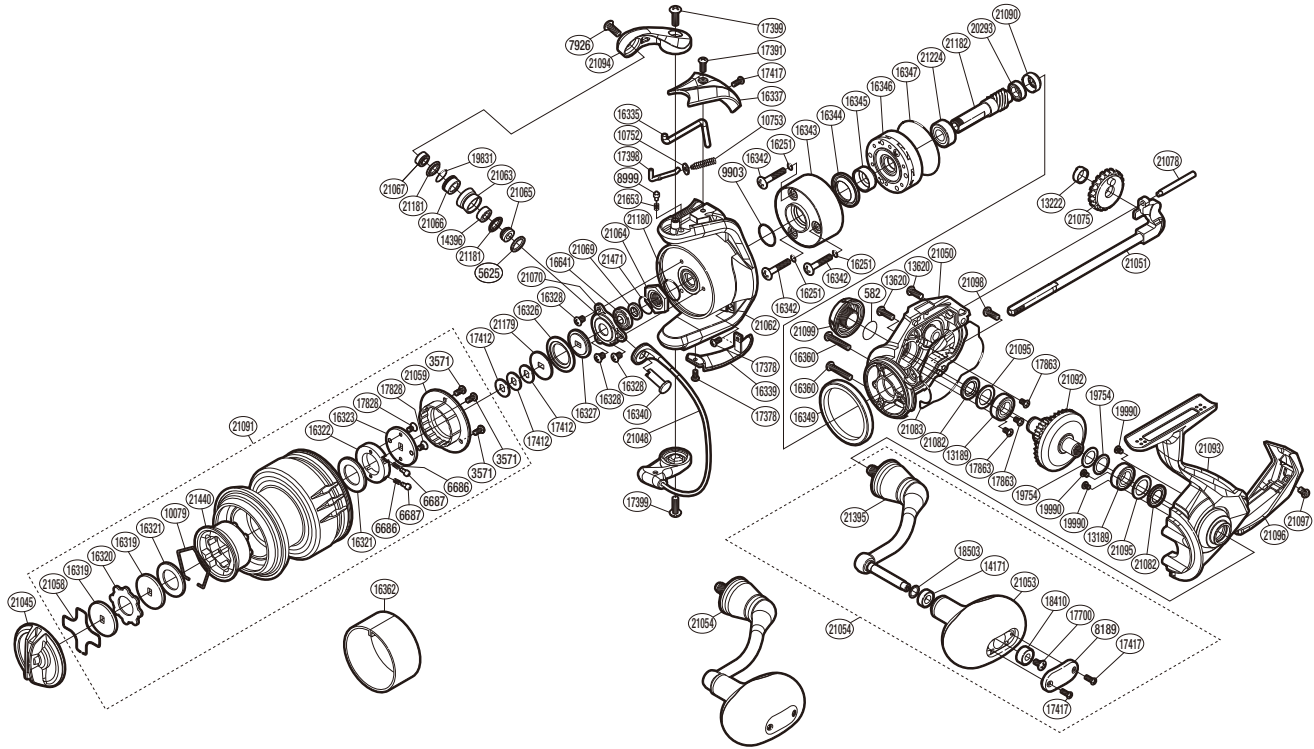


# SHIMANO

## SARAGOSA

## SRG6000SWAHG



(51SF30M062X)

#	Part No.	Description	#	Part No.	Description	#	Part No.	Description
582	108WH	O Ring	16345	10K7R	Rotor Ring	21065	100X6	Line Roller Support Collar
3571	10MPP	Screw	16346	10QPE	Roller Clutch Assembly	21066	100X3	Line Roller Bushing
5625	10KFF	Line Roller Spacer	16347	10H4F	Roller Clutch Cover Seal	21067	10TG5	Line Roller Washer
6686	10JXE	Click Spring	16349	10G7	Friction Ring	21069	10TG8	Main Shaft Spacer
6687	10PEH	Click Pin	16360	10LZ7	Screw	21070	10TGE	Nut Lock Plate
8189	108SM	Handle Knob I.D. Plate	16641	107F7	Bearing Water Proof	21075	10TG7	Oscillating Gear
8999	10HEA	Click Pin	17378	10L1R	Screw	21078	10TG9	Oscillating Guide
9903	108WA	O Ring	17391	10LFK	Screw	21082	10TGJ	Bearing Water Proof
10079	10MZP	Drag Washer Retainer	17398	105LU	Bail Spring Guide A	21083	10TGH	Body Seal
10752	10TYE	Bail Spring Guide A Support	17399	10LLJ	Screw	21090	100XM	Bushing
10753	10FVD	Bail Spring	17412	10PH7	Spool Washer	21091	10TGF	Spool Assembly
13189	104PT	Ball Bearing	17417	10L1T	Screw	21092	100XS	Drive Gear
13222	10JYG	Oscillating Gear Bushing	17700	10LFA	Screw	21093	10R81	Side Cover
13620	10L6D	Screw	17828	10QVK	Screw	21094	10DNS	Bail Arm
14171	104UJ	Handle Knob Bushing B	17863	10LCS	Screw	21095	10BGF	Washer
14396	104VQ	Ball Bearing	18410	10EU0	Handle Knob Bushing A	21096	10244	Rear Protector
16251	108WW	O Ring	19745	104FH	Washer	21097	10LHR	Screw
16319	10BC8	Key Washer	19754	10DKJ	Washer	21098	10L6A	Screw
16320	102Z8	Eared Washer	19831	1009E	O Ring	21099	101HW	Handle Screw Cap
16321	10347	Drag Washer	19990	1055H	Screw	21179	10HZX	Spool Support B
16322	10JJW	Drag Click Holder	20293	10K5Y	Ball Bearing	21180	10EZB	O Ring
16323	109HG	Drag Click Holder Cover	21045	100X8	Drag Knob	21181	100X7	Line Roller Seal
16326	10J6D	Spool Support Seal	21048	10R89	Bail Assembly	21182	10TGR	Pinion Gear
16327	103MY	Spool Support	21050	10R88	Body Assembly	21224	10E7A	Ball Bearing
16328	10LSM	Screw	21051	10R8A	Main Shaft Assembly	21225	1008N	Screw
16335	106KM	Bail Trip Lever	21053	10R8C	Handle Knob Assembly	21395	10RFU	Handle Shank Assembly
16337	1087Y	Bail Spring Cover	21054	100X5	Handle Assembly	21440	10TG1	Spool Bushing
16339	10MNB	Bail Hold Support Guard	21058	100XH	Drag Washer Retainer	21471	100G6	O Ring
16340	10Q3G	Line Roller Support	21059	100XC	Drag Cover	21653	10HEL	Click Spring
16342	10A6S	Screw	21062	100X9	Rotor			
16343	10MH9	Roller Clutch Cover	21063	100XK	Line Roller			
16344	10MH1	Roller Clutch Water Proof	21064	100X4	Rotor Nut	16362	109UZ	Line Band (Accessory)

Please note that the number of adjusting washers may not be the same as shown in the exploded views.  
(Adjustment will vary with each individual product.)

(230706)\_008