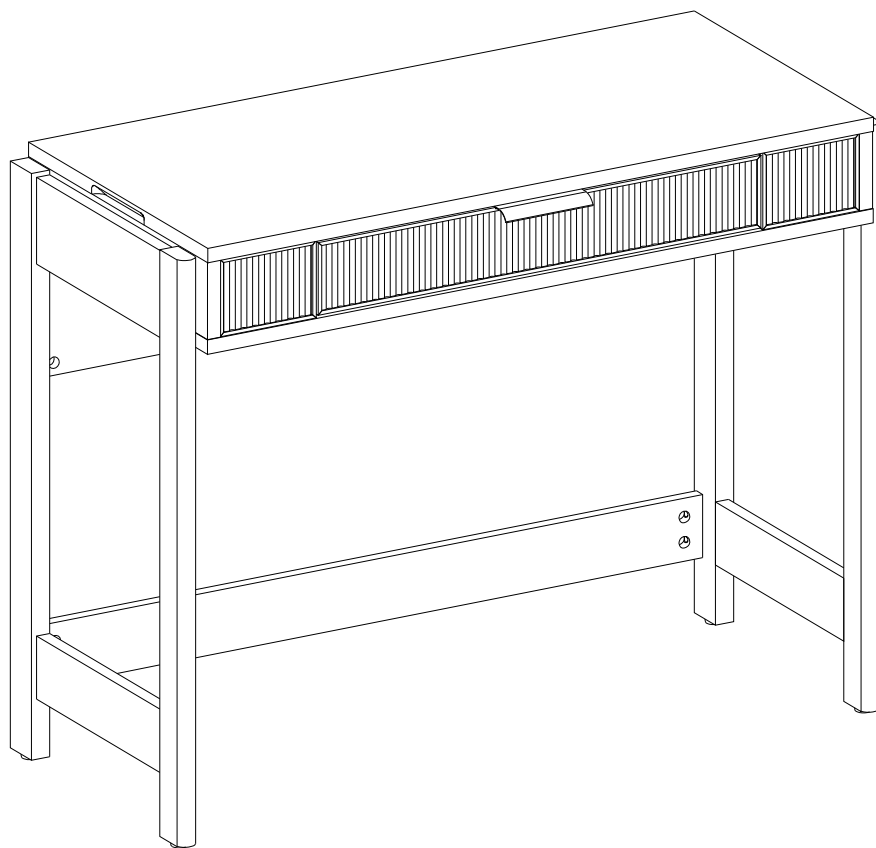


**WALKER EDISON**  
TM

# Holmes Lift-top Desk

SKU# WEHOL420S2



**For Residential Use Only**

Please visit our website for the most current instructions, assembly tips, report damage, or request parts. [www.walkerredison.com](http://www.walkerredison.com)

# WE Time to get started

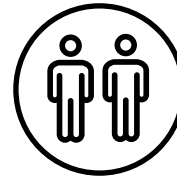
Set up a clean and soft workplace to get started and avoid damage during the assembly. It also helps to double-check you've got all the pieces and parts before diving in to assembly.

## Estimated time for assembly



## People recommended for assembly

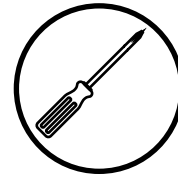
Make it a team effort! Grab a friend for quicker, easier assembly.



2 People Build

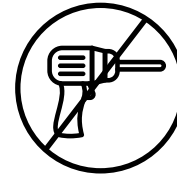
## Tools Needed

Grab a Phillips head screwdriver to conquer this assembly



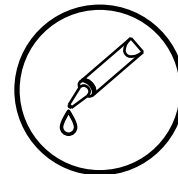
## Use power tools with caution

You can cause cracking or damage to the material and easily strip the hardware. If you choose to use a power tool, your product will no longer be covered under Walker Edison's warranty.



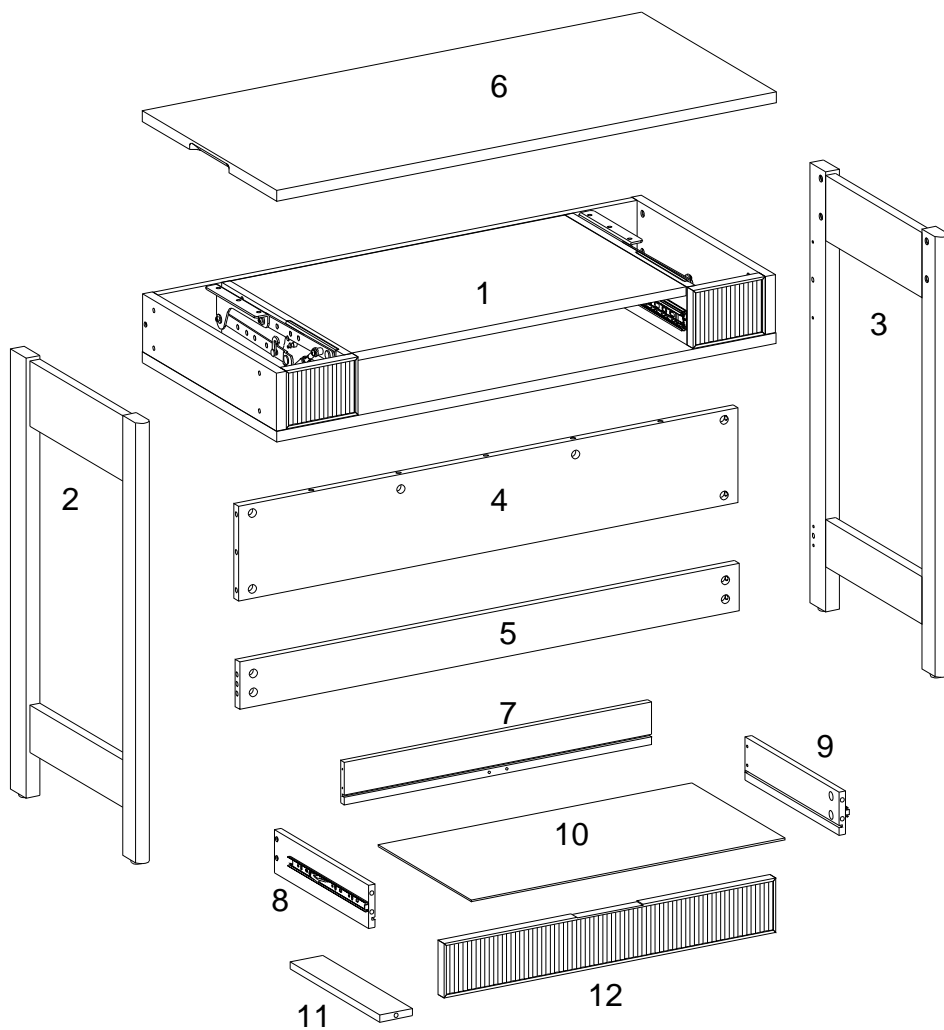
## Glue is provided to secure wood dowels in place

When inserting dowels, locate the appropriate hole, place a small amount of glue in the hole, and then insert the dowel. Wipe away excess glue immediately.




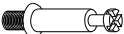



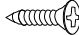


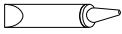


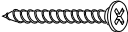
**Scan to get assembly tips and help!**

# WE Parts List



Part Number	Description	Quantity
1	Desk Box	1
2	Left Panel	1
3	Right Panel	1
4	Back Panel	1
5	Support Panel	1
6	Top Panel	1
7	Back Drawer Panel	1
8	Left Drawer Panel	1
9	Right Drawer Panel	1
10	Bottom Drawer Panel	1
11	Drawer Support Panel	1
12	Front Drawer Panel	1

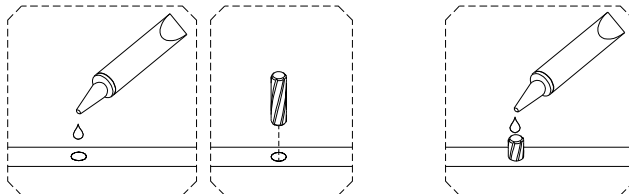
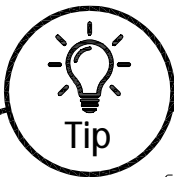
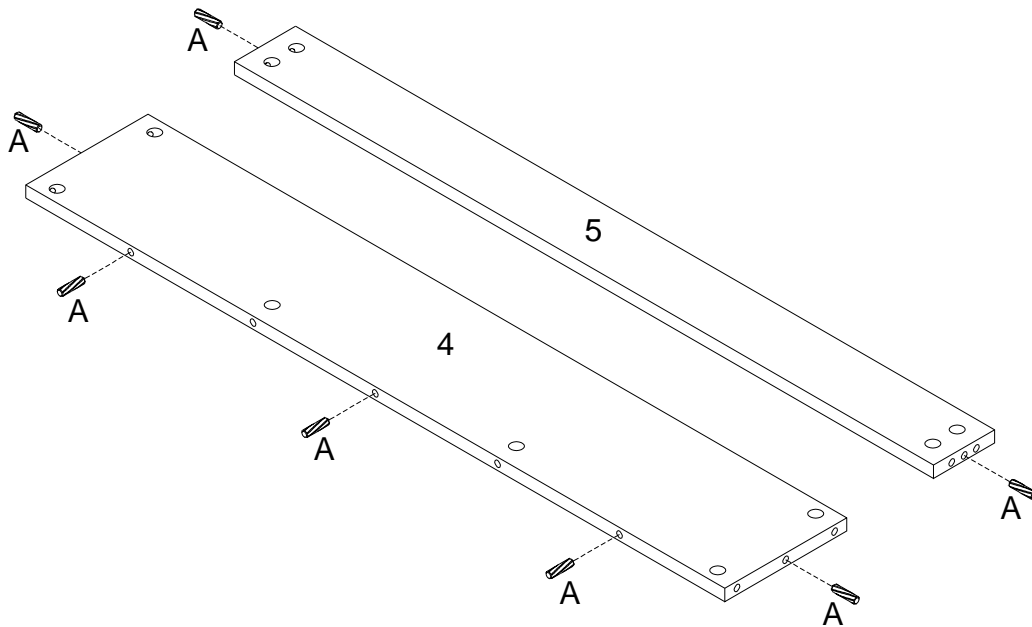
# WE Hardware List

Part	Size	Name	Quantity
A	 8x30mm	Wooden dowel	7
B	 6x35mm	Cam bolt	15
C	 15x11mm	Cam lock	10
D	 30mm	Sticker	15
E		Drawer PullH	1
F	 3x12mm	Screw	2
G	 6x30mm	Bolt	8
H	 M4x57mm	Hex Key	1
J		Glue tube	1
K	 6x15mm	Bolt	6
L	 15x9mm	Cam lock	5
M	 4x38mm	Screw	6

The hardware quantities listed above are required for proper assembly.  
Extra hardware pieces may be included.

# Step 1

Let's do this! Insert Wooden Dowels (A) into the Back Panel (4) and the Support Panel (5).

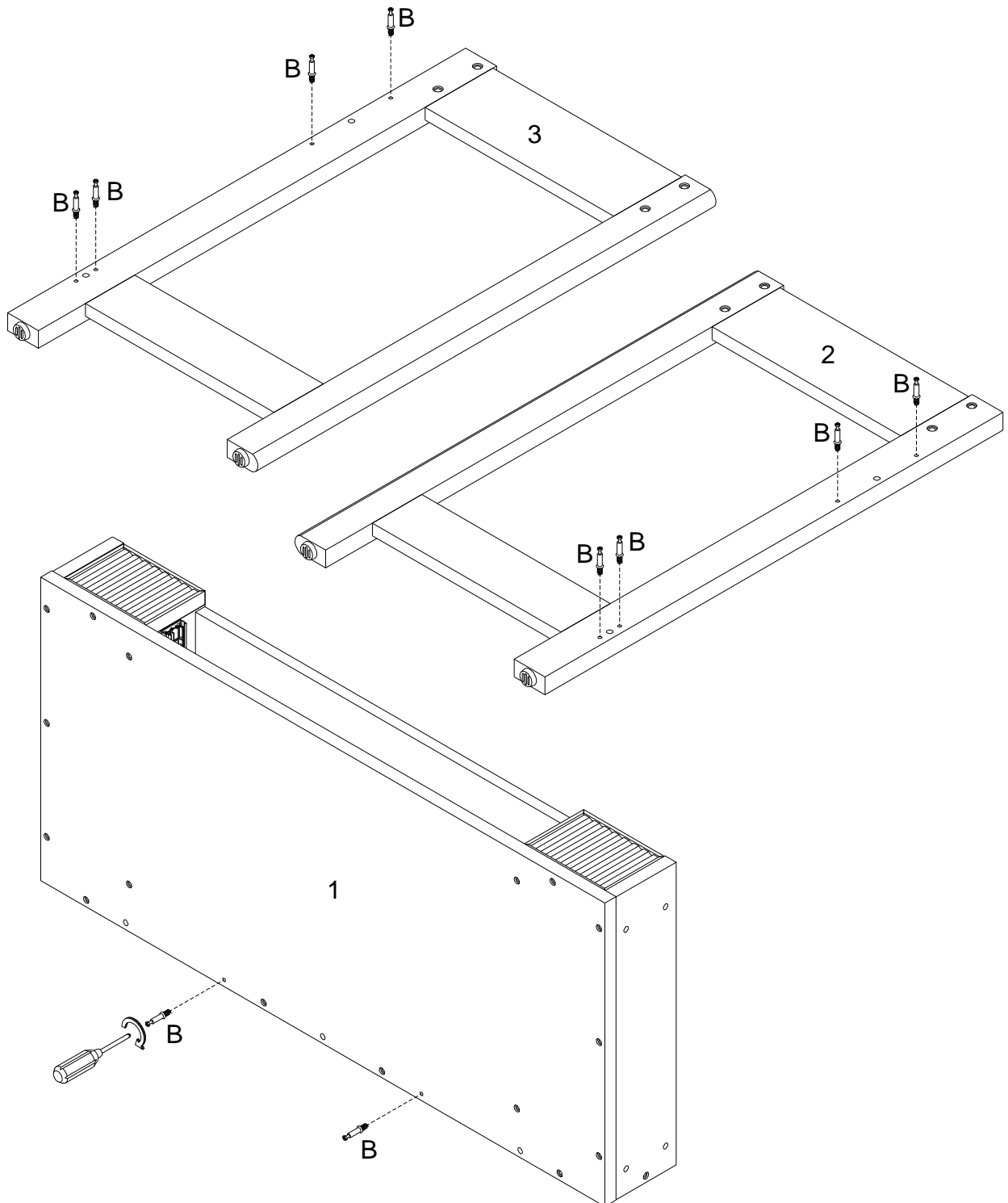


1: The provided glue is to secure wood dowels in place. When first inserting dowels, locate the appropriate hole for the dowel, place a small amount of glue in the hole and insert the dowel. Wipe away excess glue immediately.

2: In future assembly steps when dowels are necessary to attach assembly parts together, place a small amount of glue on the end of the dowel before attaching parts together. Wipe away excess glue immediately.

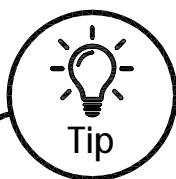
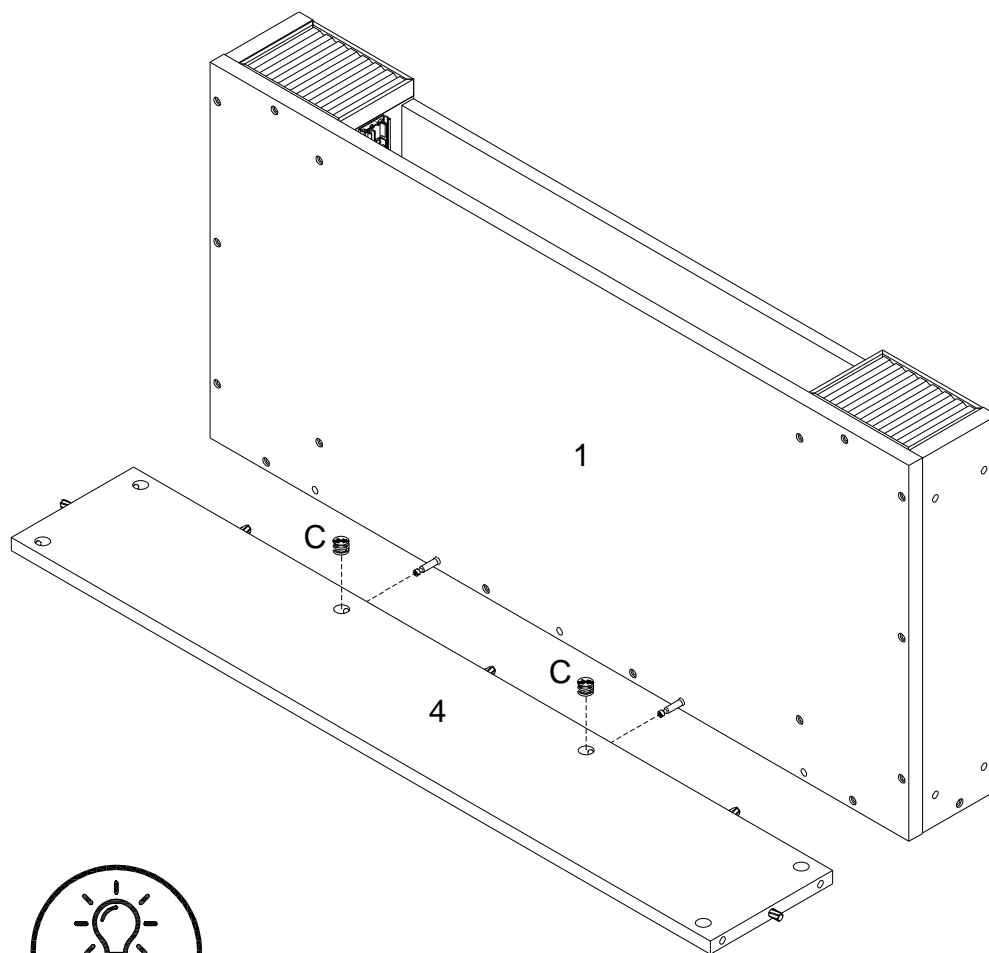
# Step 2

Using a screwdriver, attach Cam Bolts (B) to the Left Panel (2), Right Panel (3), and Desk Box (1).



# Step 3

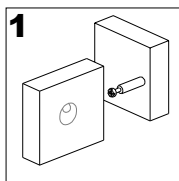
Attach the Back Panel (4) to the Desk Box (1). Secure with Cam Locks (C) and tighten with a screwdriver.



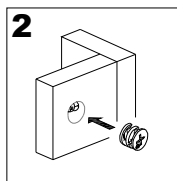
Tip

## Cam Locks

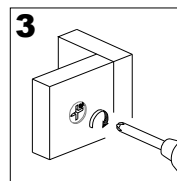
Cam Locks help securely join two pieces together.  
Follow these easy steps.



**1**  
1: Insert Cam Bolt into bolt holes on the flat side. Don't over tighten!



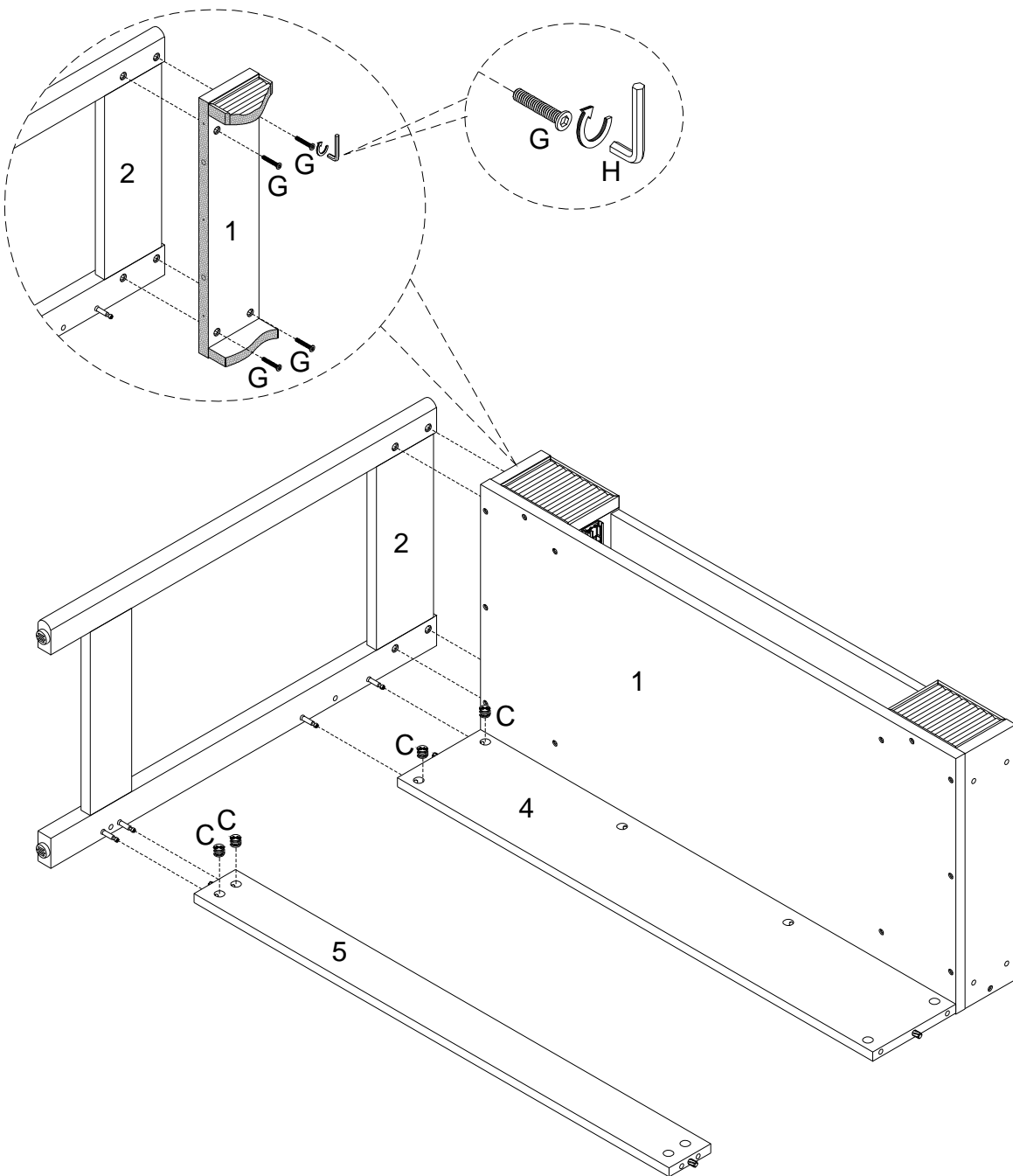
**2**  
2: Fit the proper holes on the edge of the other part over the Cam Bolts. You should be able to see the cam bolts through the larger hole on the side.



**3**  
3: On the back of the Cam Lock will be a "C" shape. Insert the Cam Lock so the opening of the "C" fits over the Cam Bolt. Tighten with the screwdriver.

# Step 4

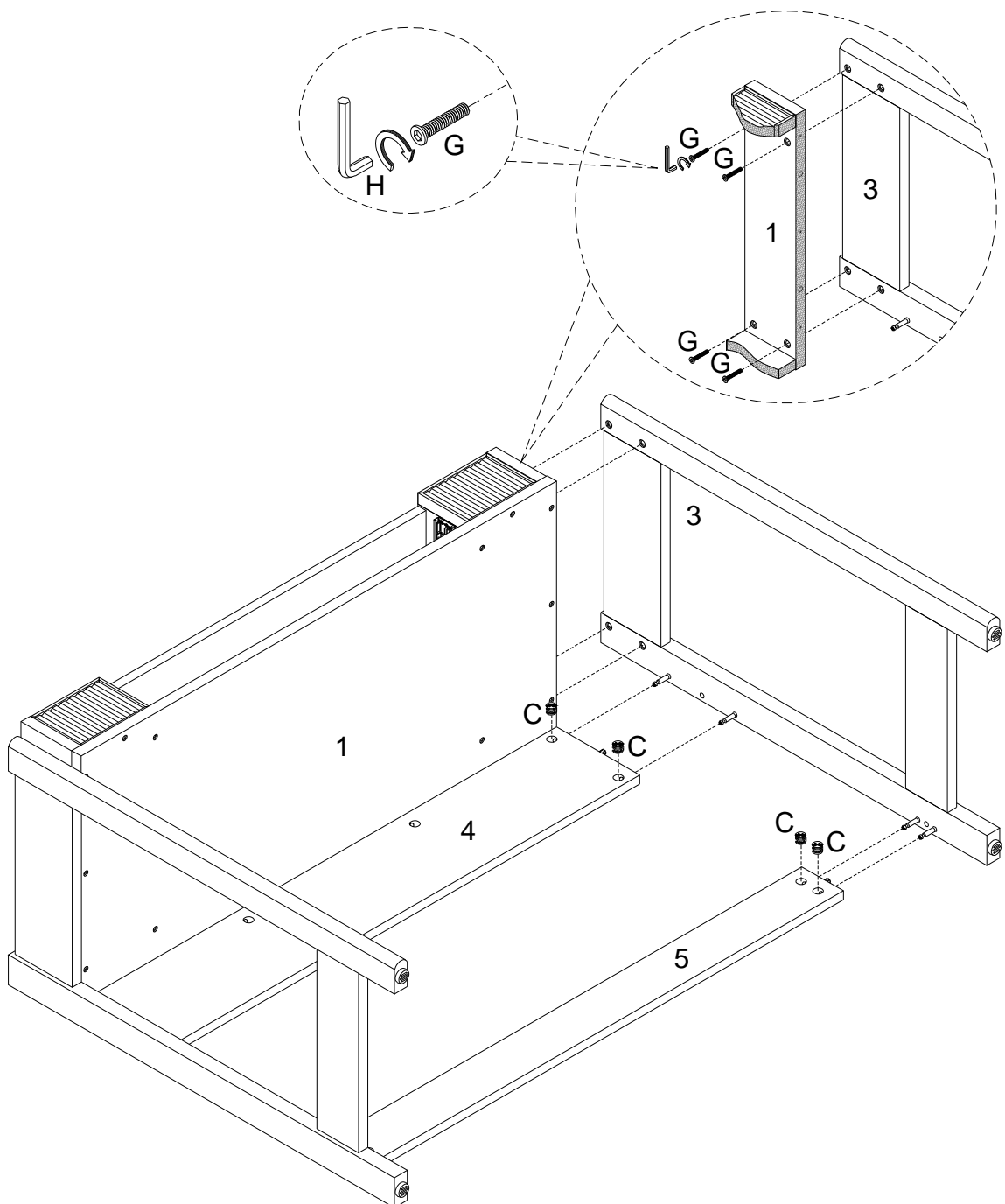
Attach the Left Panel (2) to the Desk Box (1) using 30mm Bolts (G). Bolts go through the inside of the Desk Box, into the Left Panel. Then, attach the Left Panel (2) to the Back Panel (4) and Support Panel (5) using Cam Locks (C). Secure with a screwdriver.





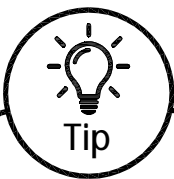
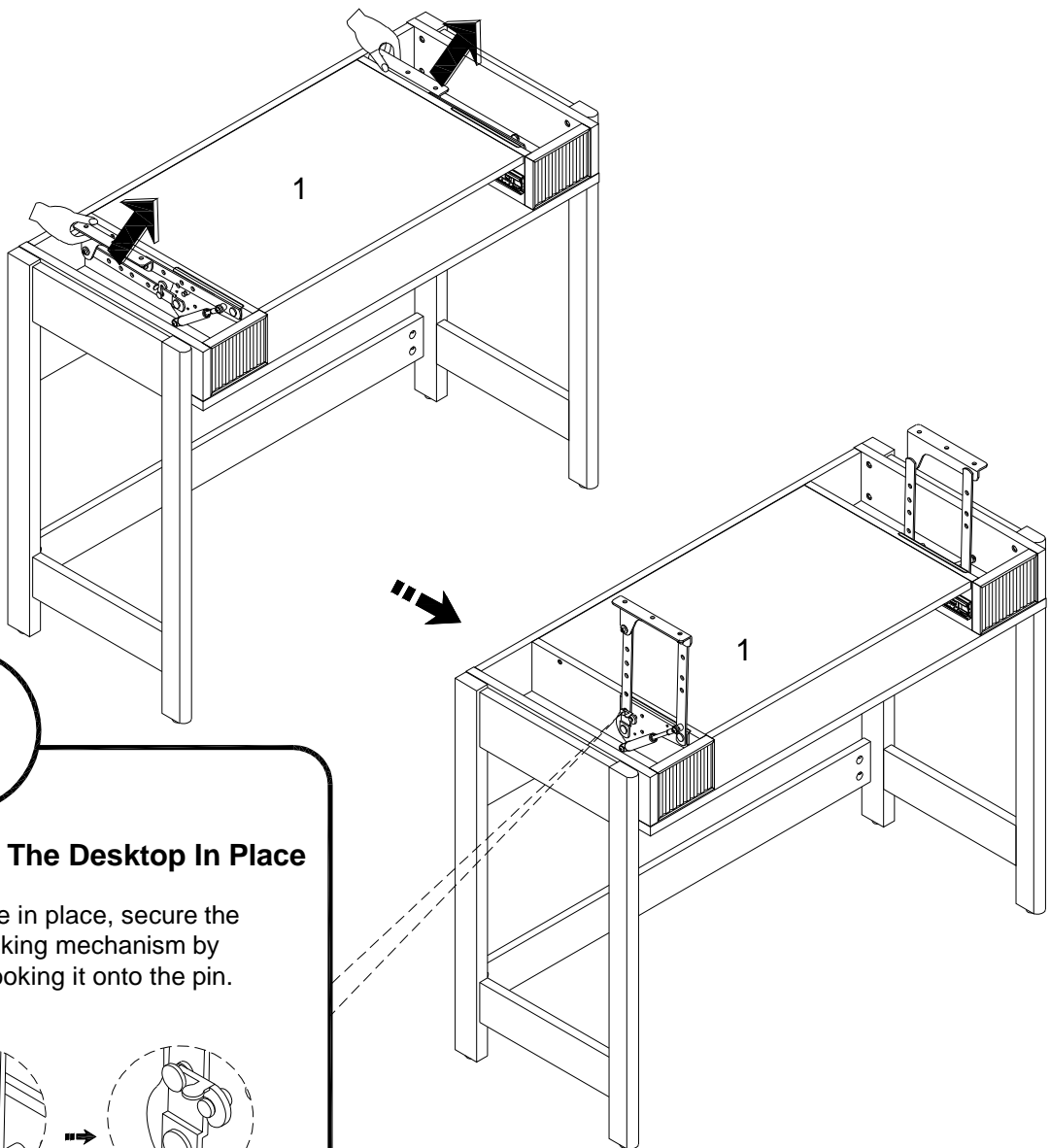
# Step 5

Repeat the same steps to attach the Right Panel (2) to the Desk Box (1) using 30mm Bolts (G). Bolts go through the inside of the Desk Box, into the Left Panel. Then attach the Right Panel (2) to the Back Panel (4) and Support Panel (5) using Cam Locks (C). Secure with a screwdriver.



# Step 6

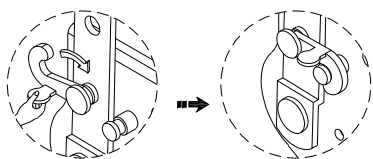
With the help of a friend, place the desk upright. Pull the lifting mechanism up to the top position and secure in place.



Tip

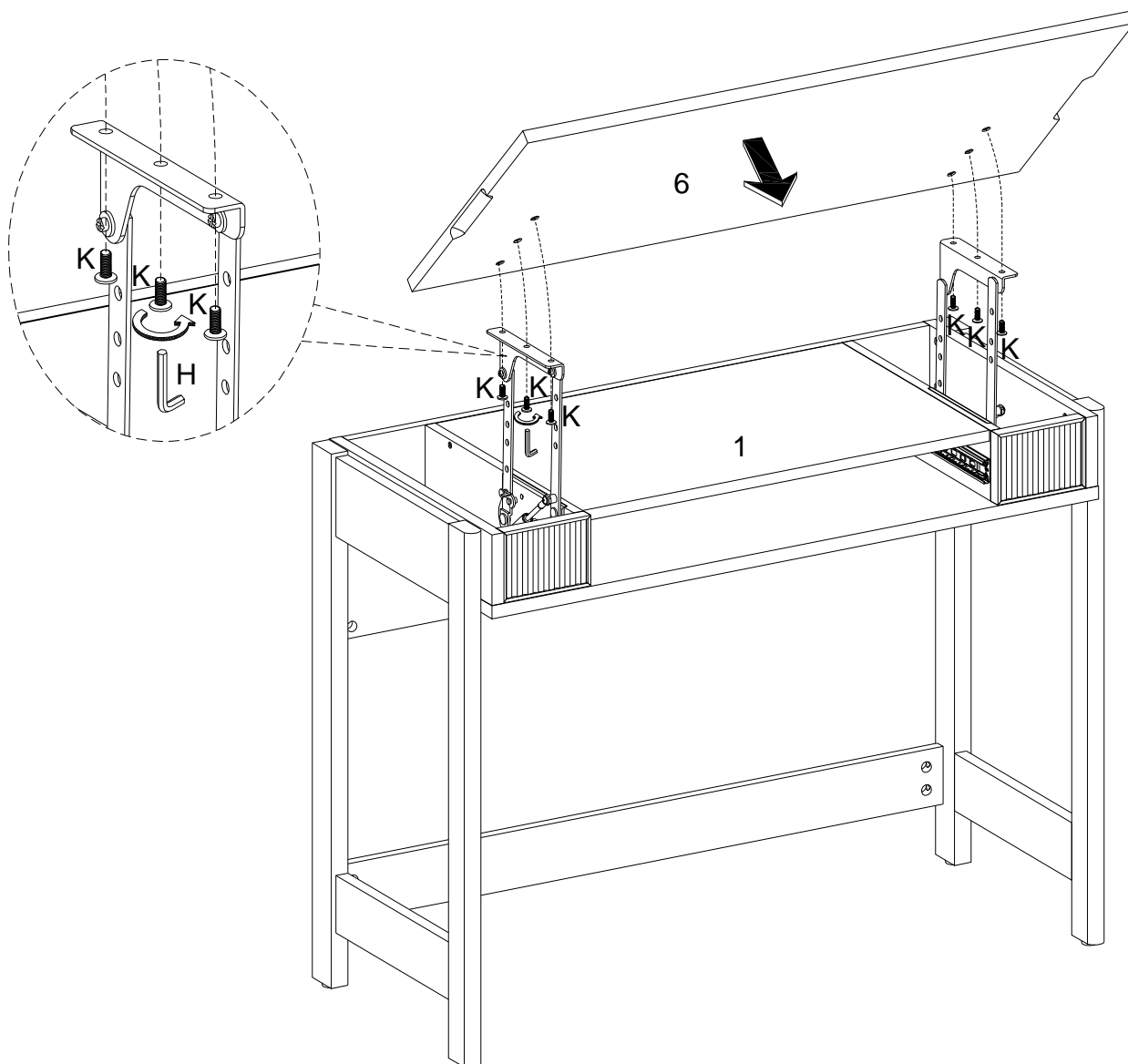
## Locking The Desktop In Place

Once in place, secure the locking mechanism by hooking it onto the pin.



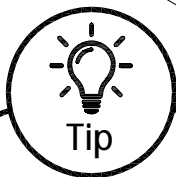
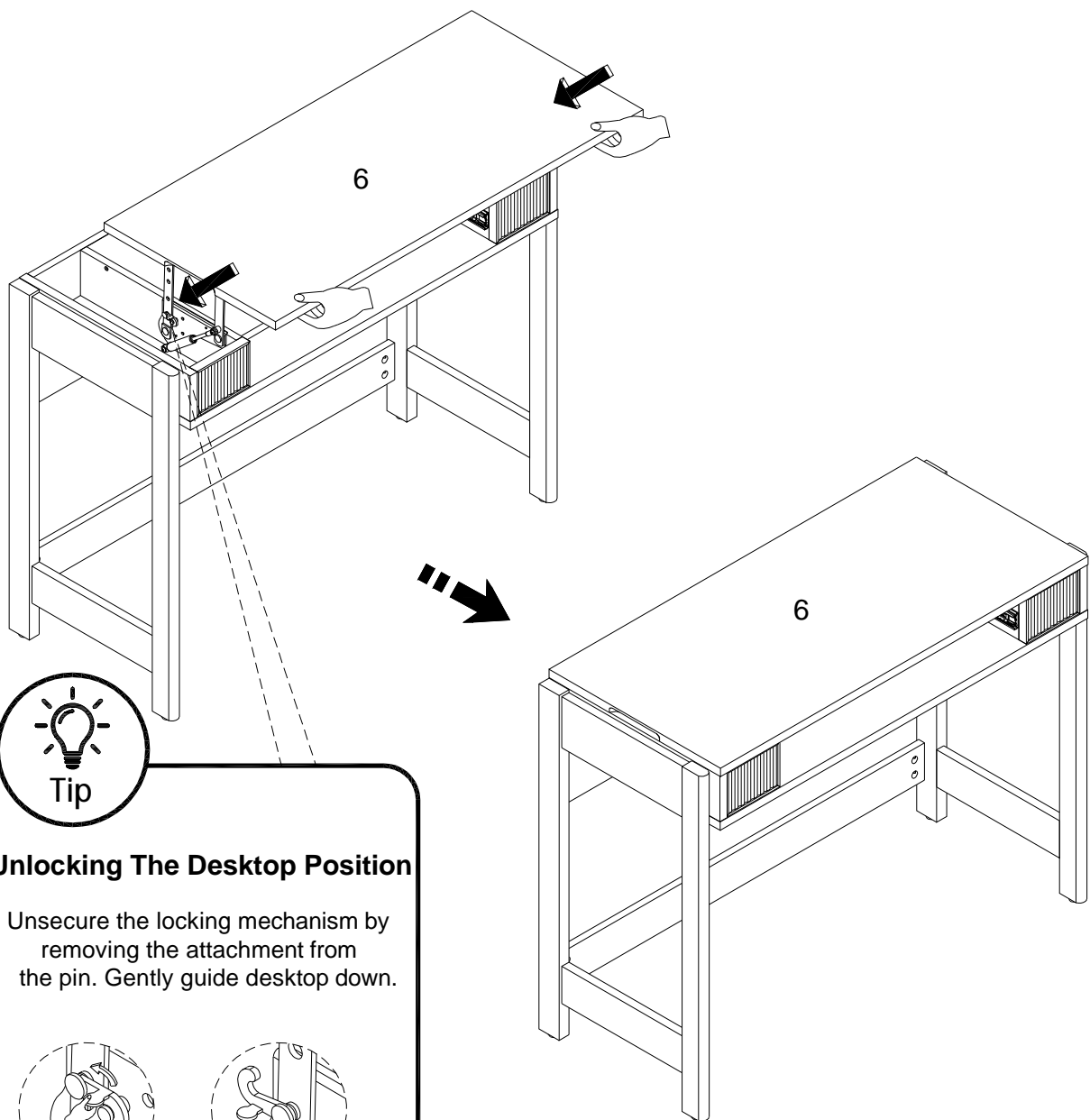
# Step 7

Attach the Top Panel (6) to the lifting mechanism using six 15mm Bolts (K).



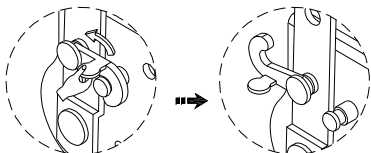
# Step 8

Unsecure the locking mechanism and return the desktop panel back down to the lower position.



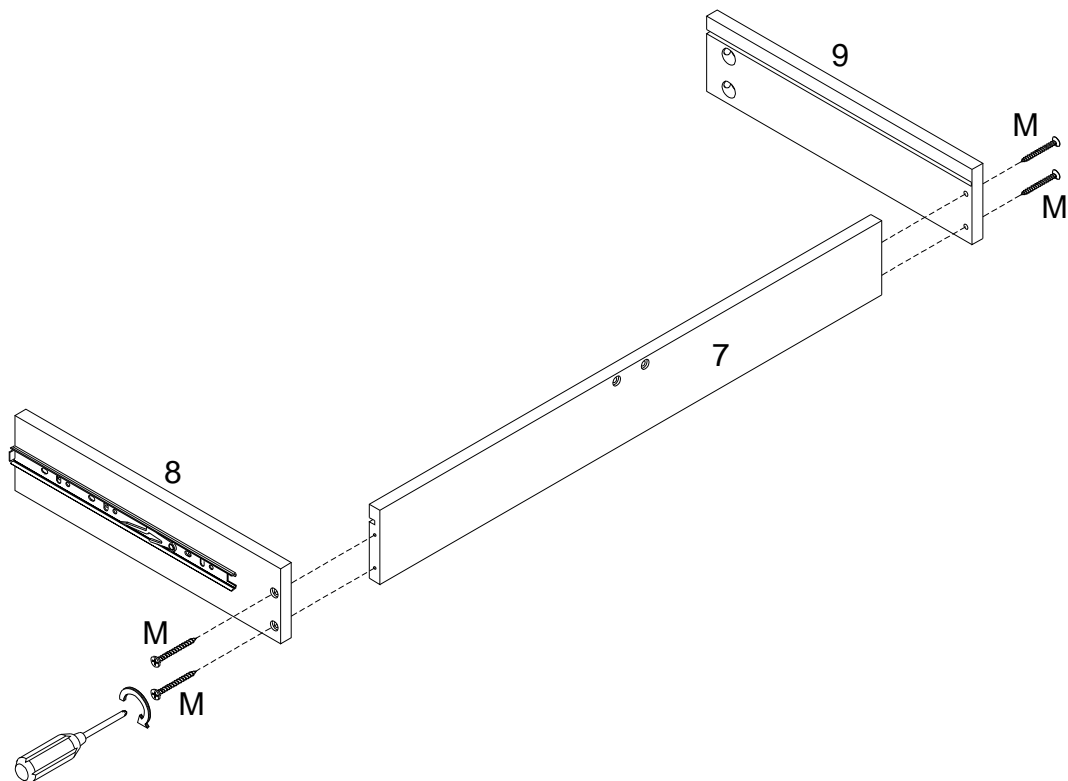
## Unlocking The Desktop Position

Unsecure the locking mechanism by removing the attachment from the pin. Gently guide desktop down.



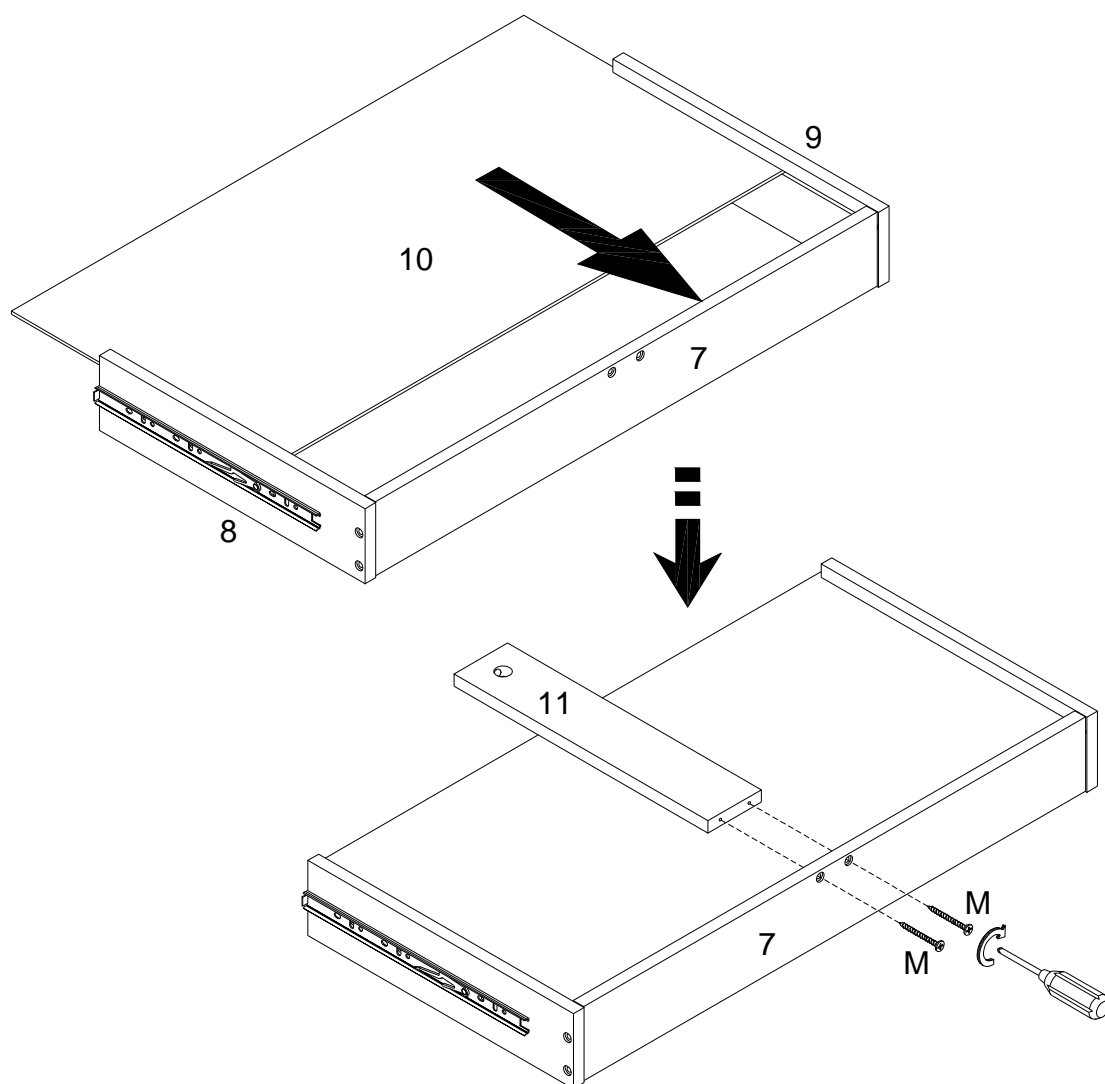
# Step 9

Attach the Left Drawer Panel (8) and the Right Drawer Panel (9) to the Back Drawer Panel (7) using 38mm Screws (M). Note: Ensure that the grooves are lined up across the three pieces.



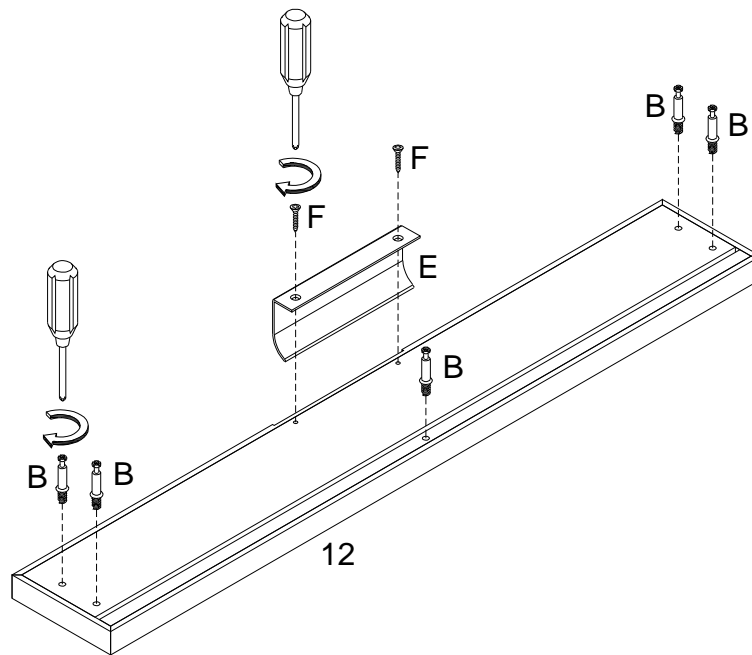
# Step 10

Slide the Bottom Drawer Panel (10) into place using the grooves. Then, attach the Drawer Support Panel (11) using 38mm Screws (M).



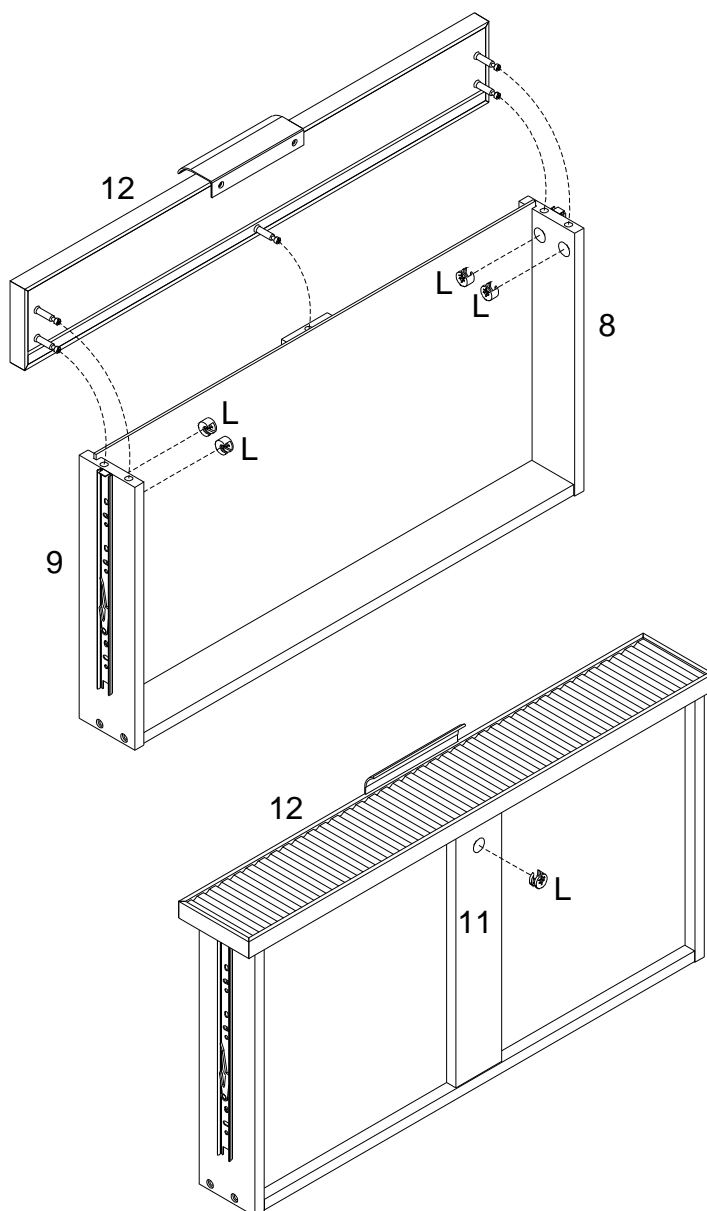
# Step 11

Screw Cam Bolts (B) into the Front Drawer Panel (12).  
Attach the Drawer Pull (E) using 12mm Screws (F).



# Step 12

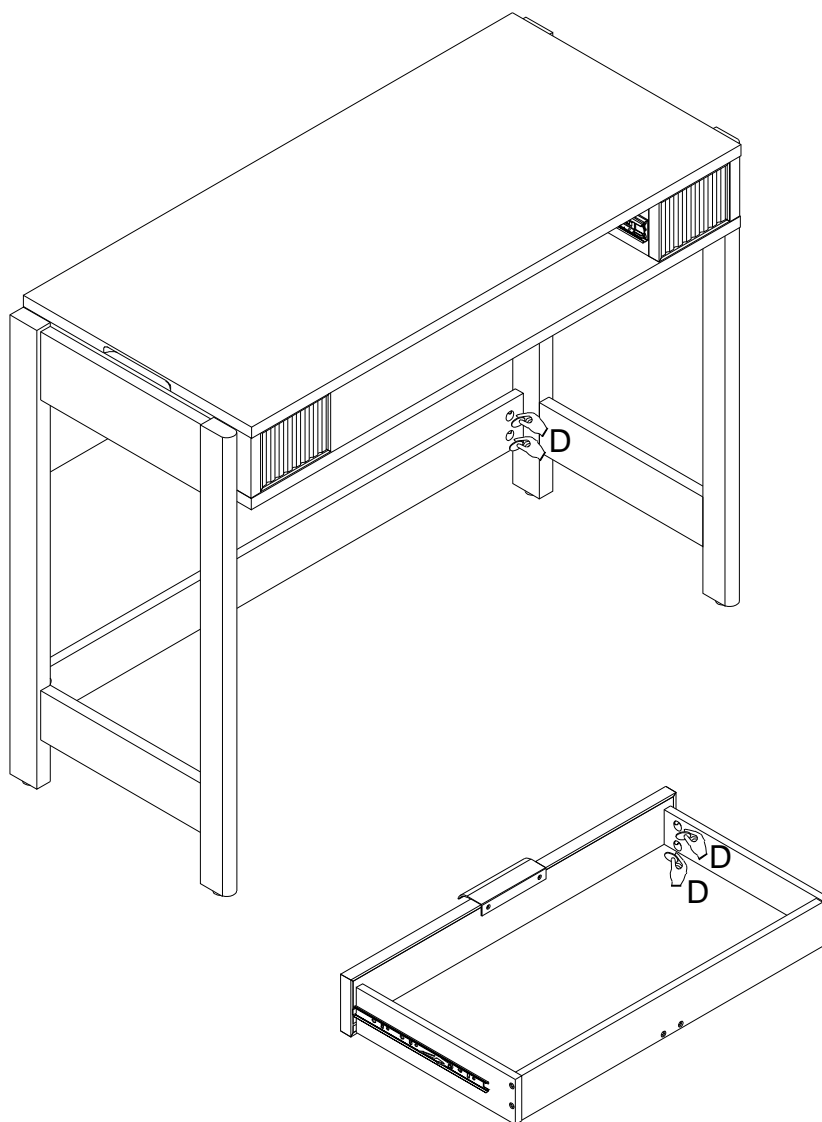
Attach the Front Drawer Panel (12) to the rest of the drawer box. Secure using Cam Locks (J).





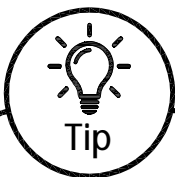
# Step 13

Cover visible Cam Locks with Stickers (D).



# Step 14

Insert the drawer box into place by connecting the drawer glides.

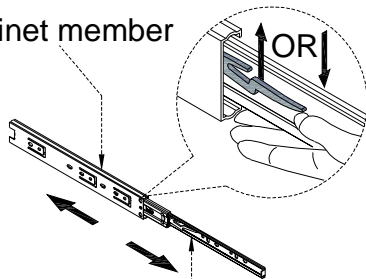


Tip

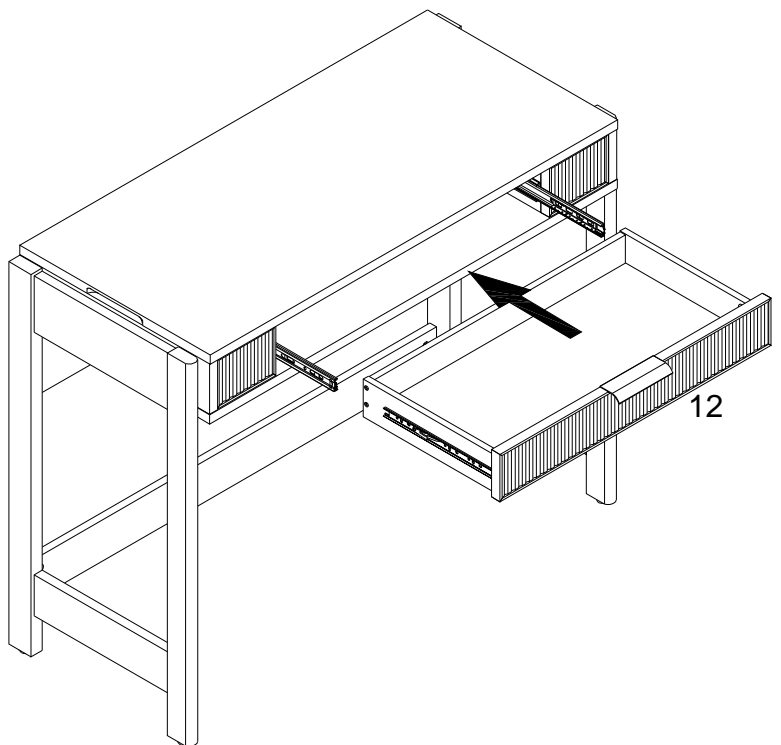
## Reinserting your Cabinet Glides together

Line up the Drawer Member so it is inside the guides of the Cabinet Member. Once the connection is made, push the drawer into place entirely. It may not be a smooth glide on your first try, but will improve after it's fully inserted.

Cabinet member

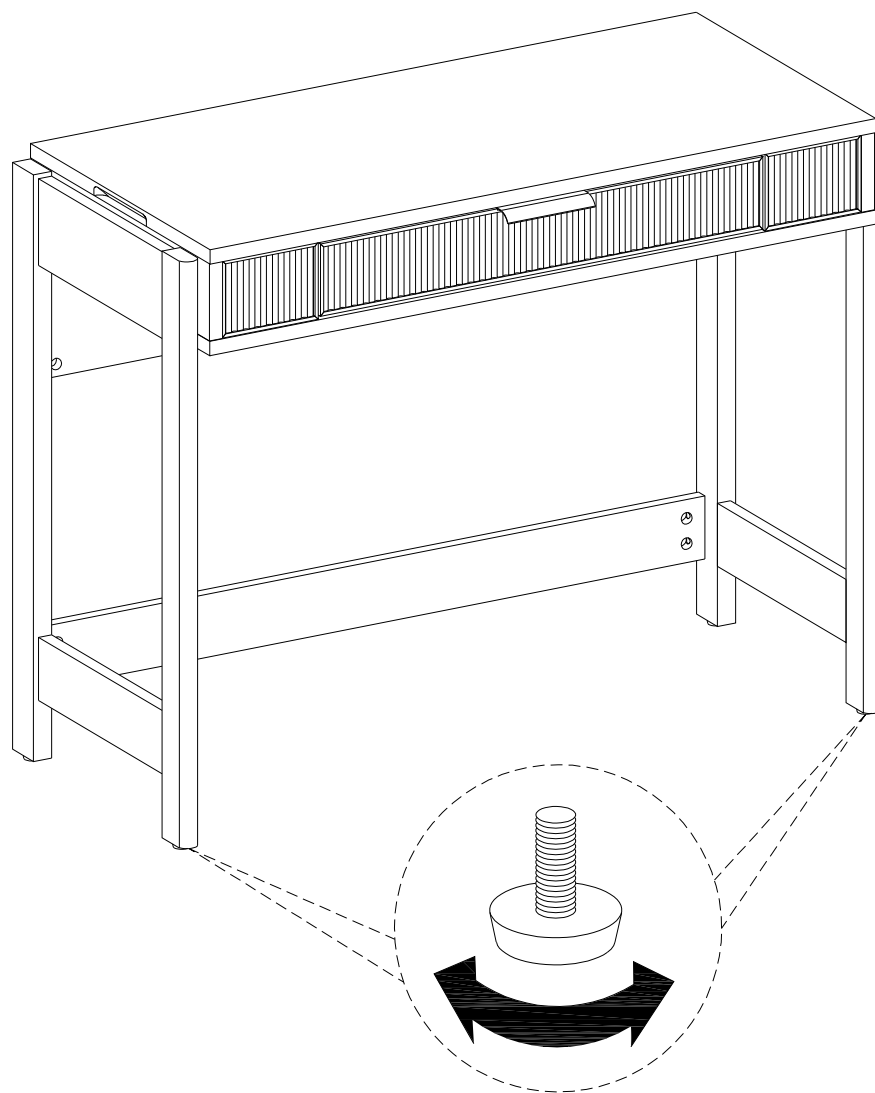


Drawer member



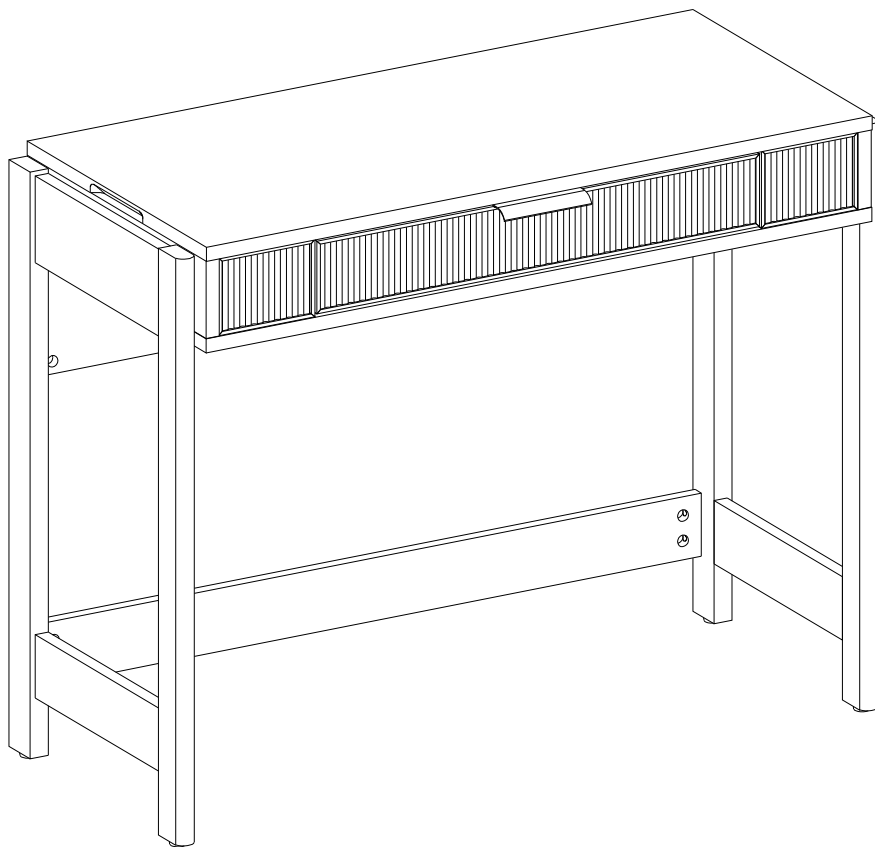
# Step 15

Use the adjustable feet to create a level writing surface.



# Step 16

Ta-da! You made it to the end. Enjoy your new desk.



**Congratulations on your new piece of furniture!**

We would love to hear about it and see it.  
Please leave us a review or post a picture with  
**#mywalkerredisonhome**

# Assembling furniture can be tricky sometimes.

Our customer service team, located in Utah, is here for product information, help assembling a product, or for any other customer support issue

Call us at **801-433-3008**

Email us at [service@walkeredison.com](mailto:service@walkeredison.com)

Visit our Customer Service website at [walkeredison.com/pages/customer-service](http://walkeredison.com/pages/customer-service)

We are available to help Monday -Thursday 8am-5pm, Friday 8am-3pm MST

For details on Assembly Videos, Assembly Instructions, Replacement Parts, and Customer service,

**SCAN HERE**

