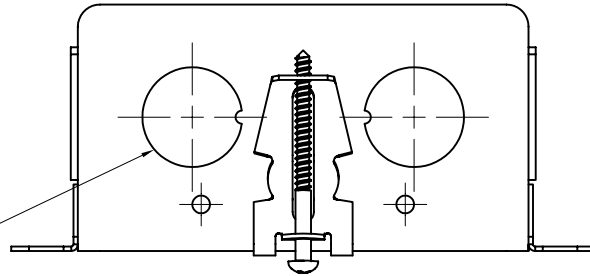
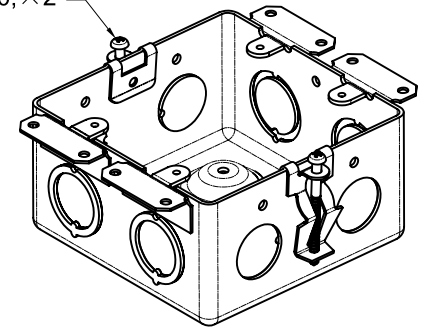


SIDES	BOTTOM
4 1/2" KNOCKOUTS	2 1/2" KNOCKOUTS
4 1/2"-3/4" MOON KNOCKOUTS	2 3/4" KNOCKOUTS
	1 Groud Hump
2 PCS #6-20×1-7/8 Tapping Screws Installed	
Material:Steel-0.0625"-G60 Galvanized	

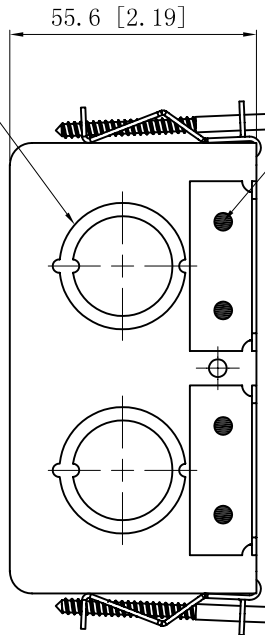
4 1/2"KNOCKOUTS $\phi=22.5[\phi=0.89]$



#6-20,×2

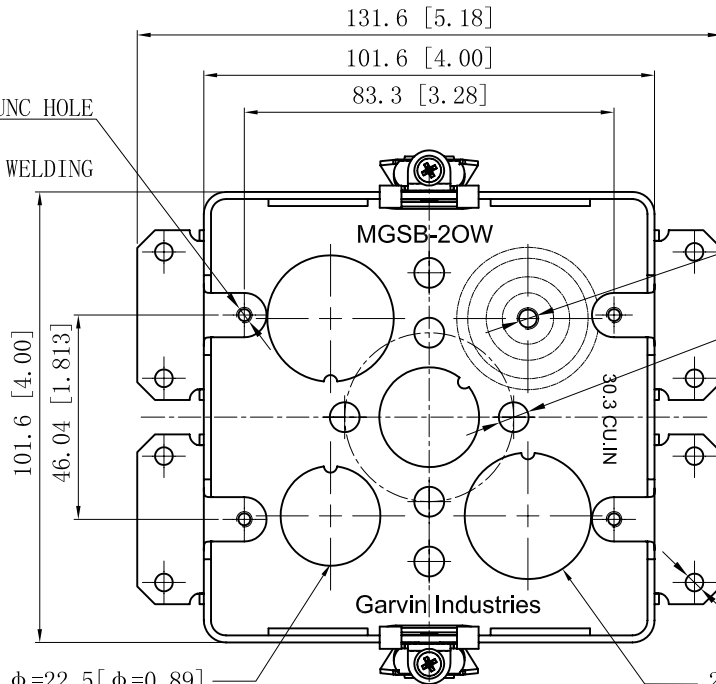


4 1/2"-3/4"KNOCKOUTS $\phi=22.5[\phi=0.89]$
 $\phi=28.5[\phi=1.12]$



4-#6-32 UNC HOLE

8 PLACES SPOT WELDING



#10-32 UNF HOLE

6- $\phi 6.75[\phi 0.266]$ HOLE

8- $\phi 4.00[\phi 0.157]$ HOLE

2 1/2"KNOCKOUTS $\phi=22.5[\phi=0.89]$

2 3/4"KNOCKOUTS $\phi=28.5[\phi=1.12]$

This data sheet is for reference only .GARVIN INDUSTRIES reserves the right to make changes to the design without prior notice.

DESCRIPTION
TRADE REFERENCE TERMS

STANDARD PACKING
25 PCS

GARVIN INDUSTRIES	
2-GANG SWITCH BOX 2-1/8" DEEP	
TITLE	
SIZE	DWG NO.
A4	MGSB-20W
DATA SHEET	
REV	A