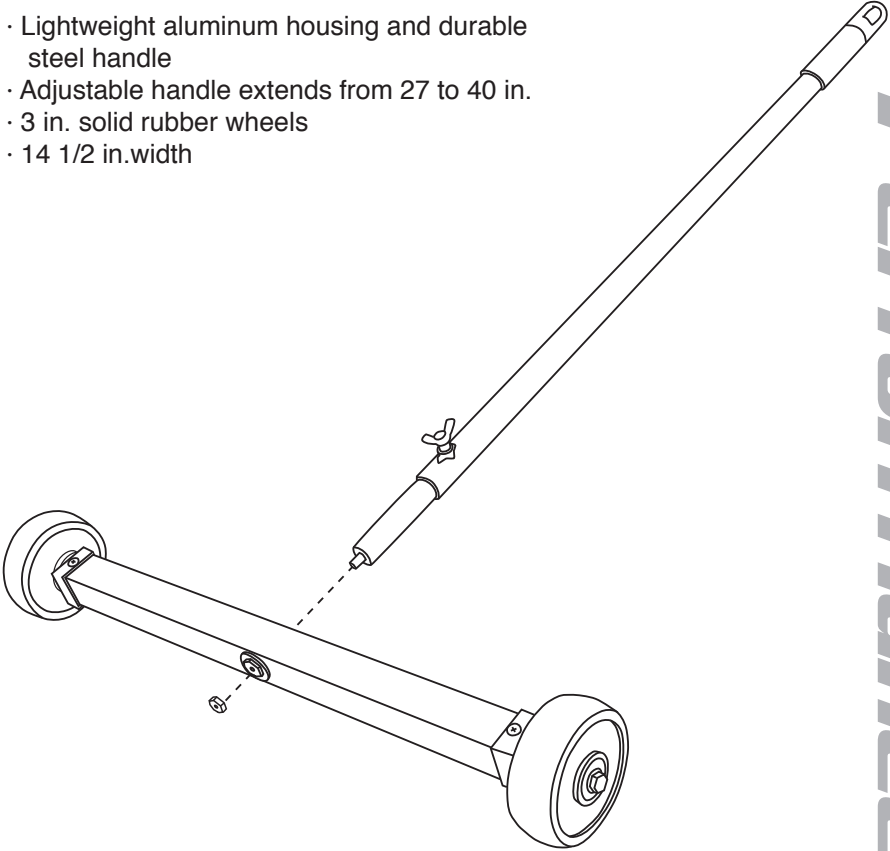


TELESCOPING MAGNETIC SWEEPER

Stock Number W2071

ASSEMBLY INSTRUCTIONS

- Lightweight aluminum housing and durable steel handle
- Adjustable handle extends from 27 to 40 in.
- 3 in. solid rubber wheels
- 14 1/2 in. width



- (1) Remove nut from stud on black handle, while keeping washer on stud.
- (2) Screw stud into red base unit with wheels, with the stationary nut on red base unit facing outward.
- (3) Replace nut (that was removed) onto end of stud, sticking out of the red base unit, until tight.
- (4) Adjust length of handle by loosening/tightening butterfly nut on black handle.

Performance Tool[®]

PT
Performance Tool