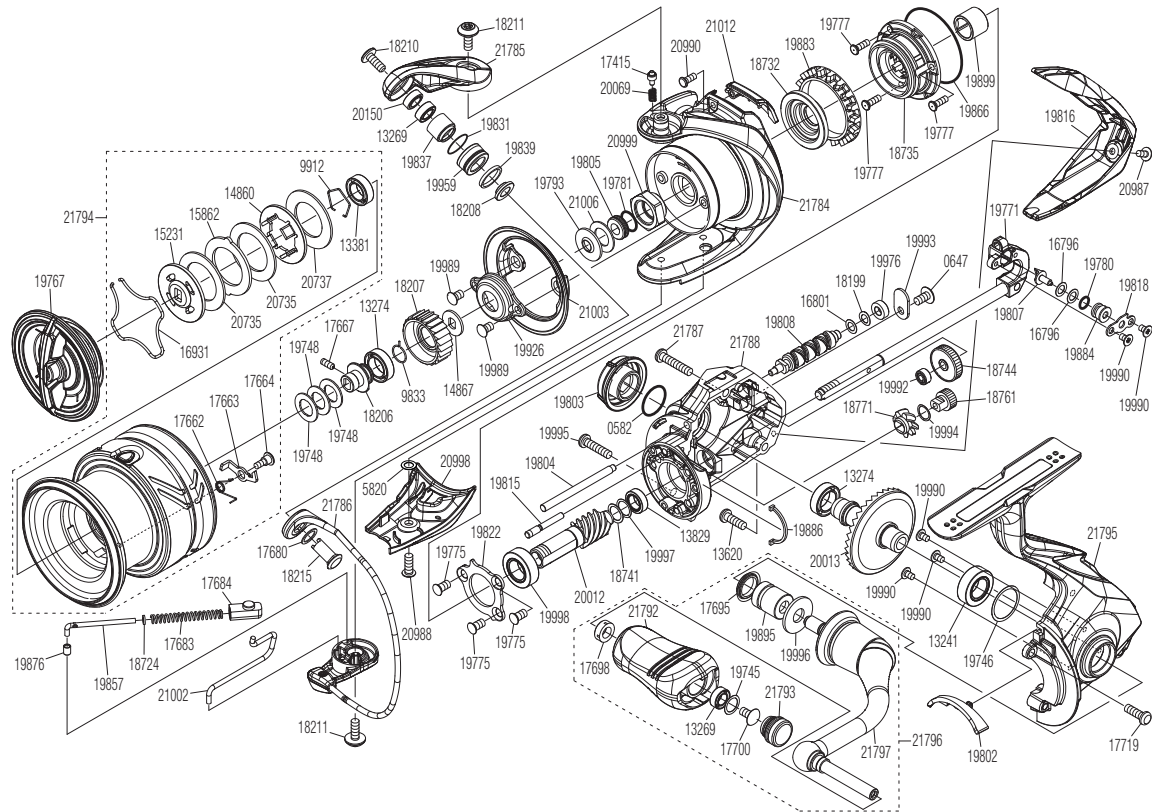


SHIMANO

SUSTAIN

SA-2500HG



Please note that the number of adjusting washers may not always be the same as shown in the exploded views.

(51SF46E028X)

Please note that your actions take full responsibility when you take it apart.

#	Part No.	Description	#	Part No.	Description	#	Part No.	Description
0582	108WH	O Ring	18744	10DK0	Idle Gear	19994	10TBA	Washer
0647	10QG5	Screw	18761	10DK2	Idle Gear (Small)	19995	10L6N	Screw
5820	105AA	Washer	18771	10S9M	Idle Gear (Large)	19996	10H9N	Washer
9833	107V2	Ratchet Spring	19745	104FH	Washer	19997	10HE5	Washer
9912	10GEW	Bearing Retainer	19746	101AY	Washer	19998	10D2B	Ball Bearing
13241	104JD	Ball Bearing	19748	10DHG	Spool Washer	20012	10DWZ	Pinion Gear
13269	104VX	Ball Bearing	19767	10180	Drag Knob Assembly	20013	10R8X	Drive Gear
13274	104PP	Ball Bearing	19771	10DYR	Main Shaft Assembly	20069	10HE7	Click Spring
13381	104JT	Ball Bearing	19775	100WY	Screw	20150	10E44	Collar
13620	10L6D	Screw	19777	100WT	Screw	20735	10E66	Drag Washer A
13829	104JZ	Ball Bearing	19780	100WX	O Ring	20737	10E6E	Drag Washer B
14860	10BBP	Key Washer	19781	10DXE	O Ring	20987	10RX2	Screw
14867	103PE	Spool Support A	19793	1017W	Bearing Water Proof	20988	101CC	Screw
15231	10QBU	Key Washer B	19802	1017Y	Bail Trip Strike	20990	10RNG	Screw
15862	102XW	Eared Washer	19803	10RSK	Handle Screw Cap	20998	10095	Bail Hold Support Guard
16796	1070D	Spacer	19804	10DVX	Oscillating Guide A	20999	100RN	Rotor Nut
16801	10K9C	Washer	19805	10RDL	Main Shaft Collar	21002	10099	Bail Trip Lever
16931	10B8N	Retainer	19807	1018D	Oscillating Pawl	21003	1009M	Rotor Brim
17415	106ZC	Click Pin	19808	10DVY	Worm Shaft	21006	100RU	Washer
17662	10TNX	Drag Click Spring	19815	10DVW	Idle Gear Shaft	21012	10S7B	Counter Weight Cover
17663	10TNV	Drag Click	19816	10RS0	Rear Protector	21784	1012C	Rotor Assembly
17664	10TRB	Screw	19818	10182	Oscillating Pawl Cover	21785	100K6	Bail Arm
17667	10PN3	Set Screw	19822	10DWD	Bearing Retainer	21786	1011X	Bail Assembly
17680	101BZ	Washer	19831	1009E	O Ring	21787	10DVM	Screw
17683	105R6	Bail Spring	19837	1009K	Bushing	21788	100Q0	Body
17684	107AB	Bail Spring Guide B	19839	10RFZ	Spacer	21792	10325	Handle Knob
17695	10PXV	Handle Shaft Seal	19857	10SAN	Bail Spring Guide A	21793	10TAL	Handle Knob Seal
17698	10PXZ	Bushing	19866	1009Z	O Ring	21794	100K5	Spool Assembly
17700	10LFA	Screw	19876	1009B	Bail Spring Guide A Bushing	21795	1012M	Side Cover Assembly
17719	10M2G	Screw	19883	10QXQ	Friction Ring	21796	10TAM	Handle Assembly
18199	10ECK	Spacer	19884	1009L	Oscillating Slider Bushing	21797	1011K	Handle Shank Assembly
18206	10THY	Spool Bearing Bushing	19886	1009W	Flange Water Proof			
18207	10SYS	Drag Click Ratchet	19895	100A0	Handle Shaft Cover			
18208	10TJM	Bearing Spacer	19899	1009Y	Roller Clutch Inner			
18210	10TLJ	Screw	19926	1076N	Nut Lock Plate			
18211	10TLM	Screw	19959	1009A	Line Roller			
18215	10TLK	Line Roller Support	19976	1009C	Bushing			
18724	101D9	Spring Guide A Collar	19989	103GW	Screw			
18732	101D5	Rotor Ring	19990	1055H	Screw			
18735	10S2L	Roller Clutch Assembly	19992	1009G	Bushing			
18741	10SYU	Washer	19993	10S7C	Worm Shaft Retainer	18054	10G4L	Anti Line Slip Sticker